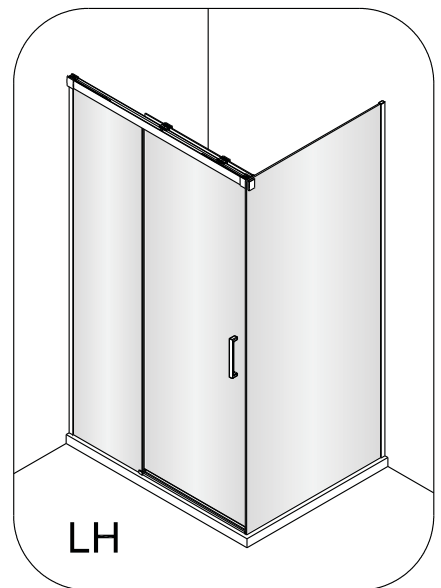
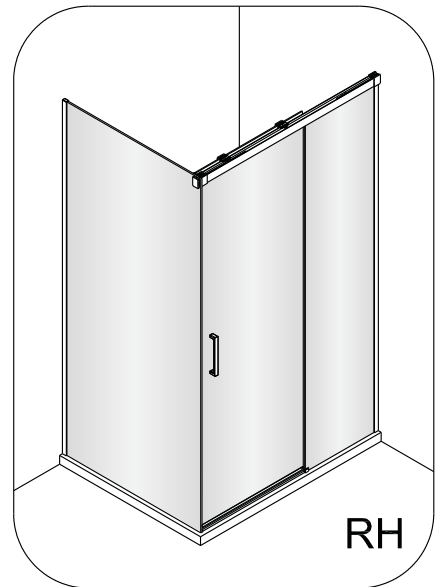
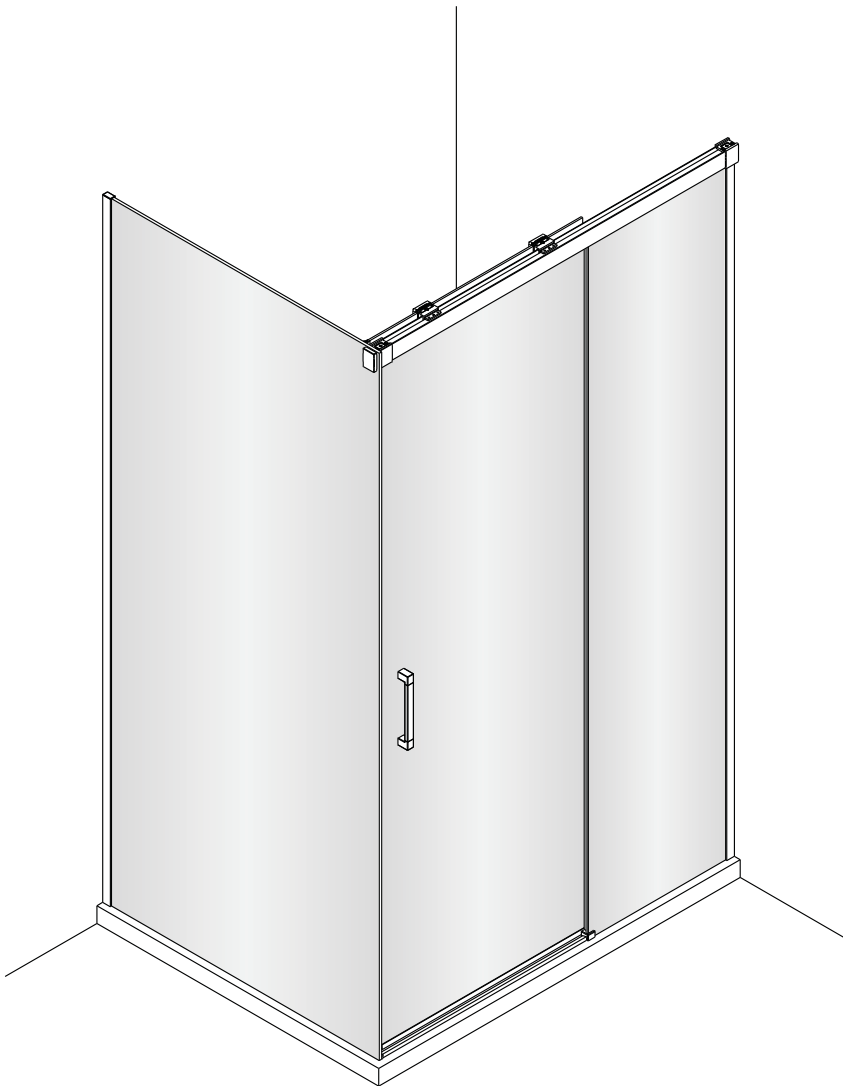
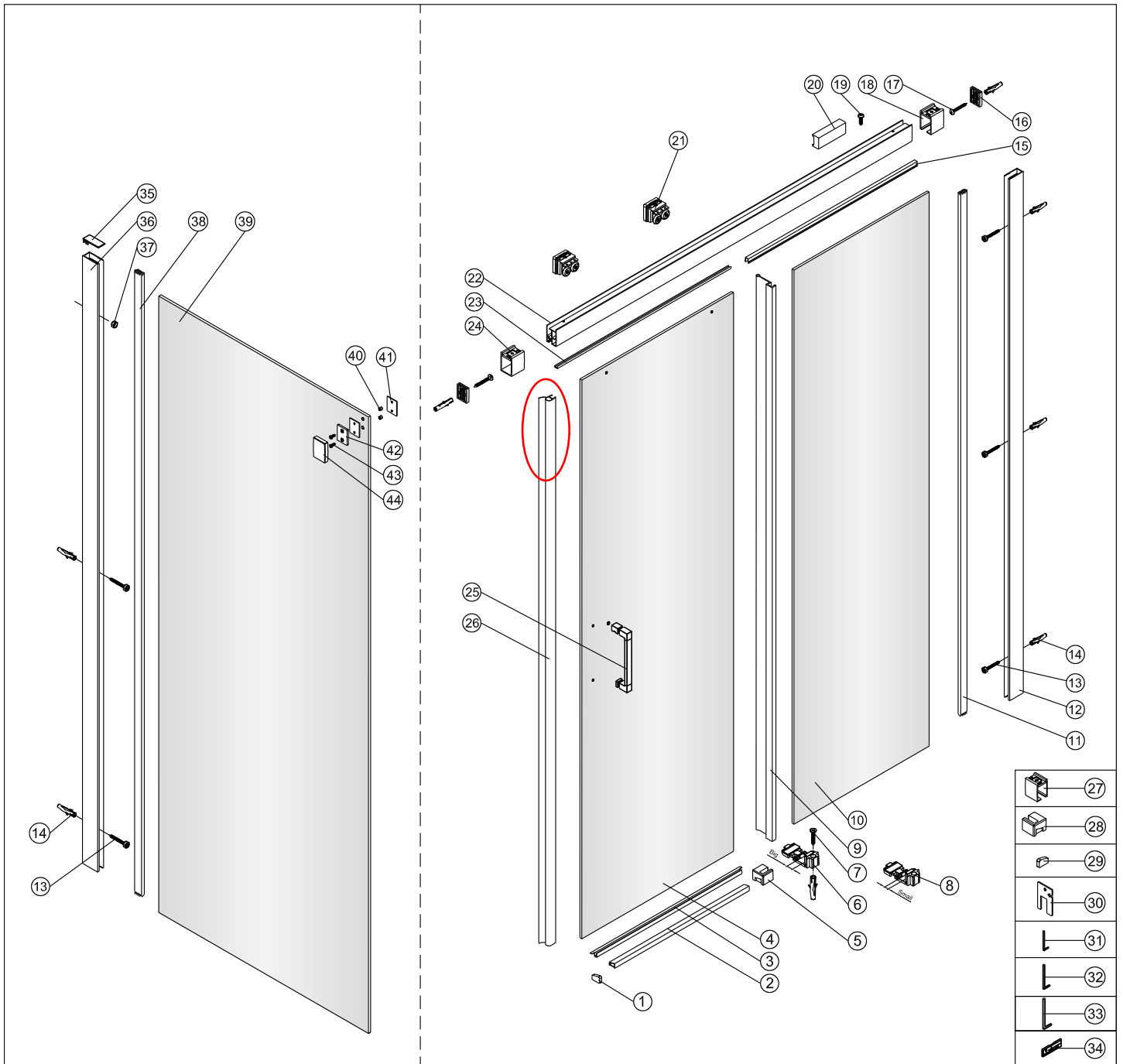


Instrucciones de montaje  
*Assembly instructions*

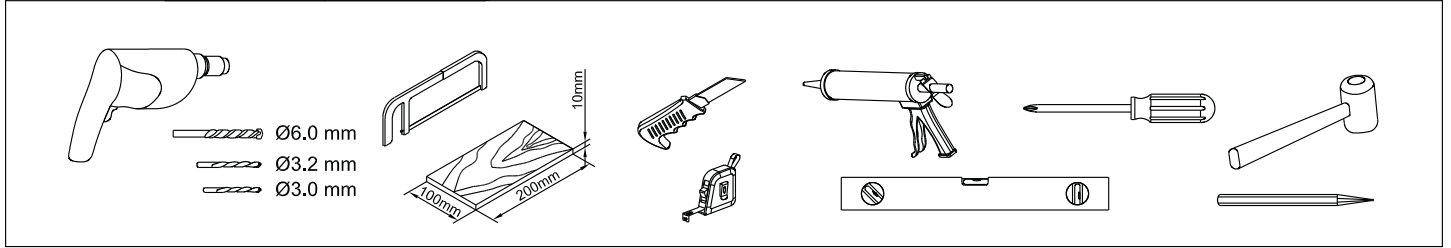
# Serie COPENHAGUE

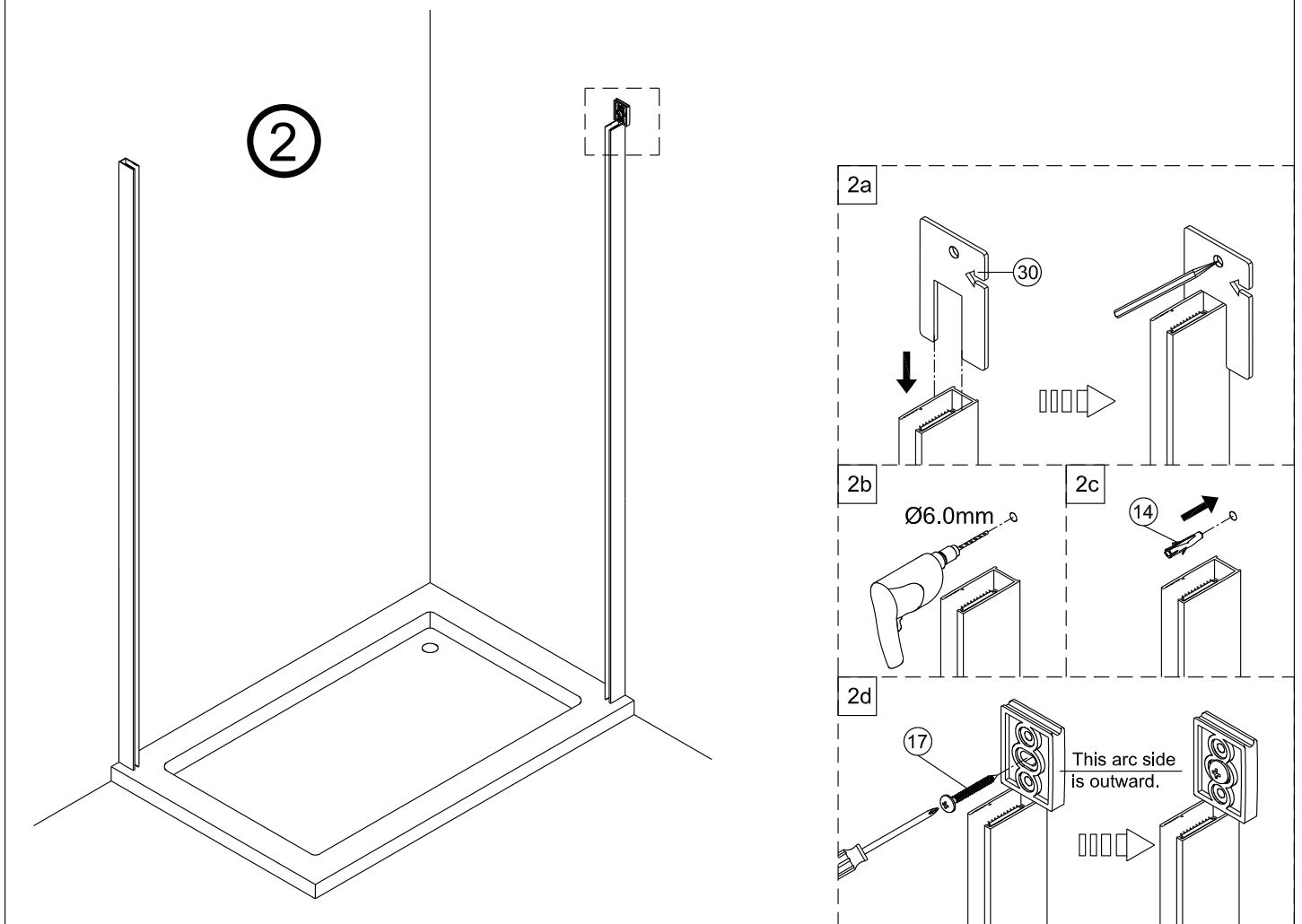
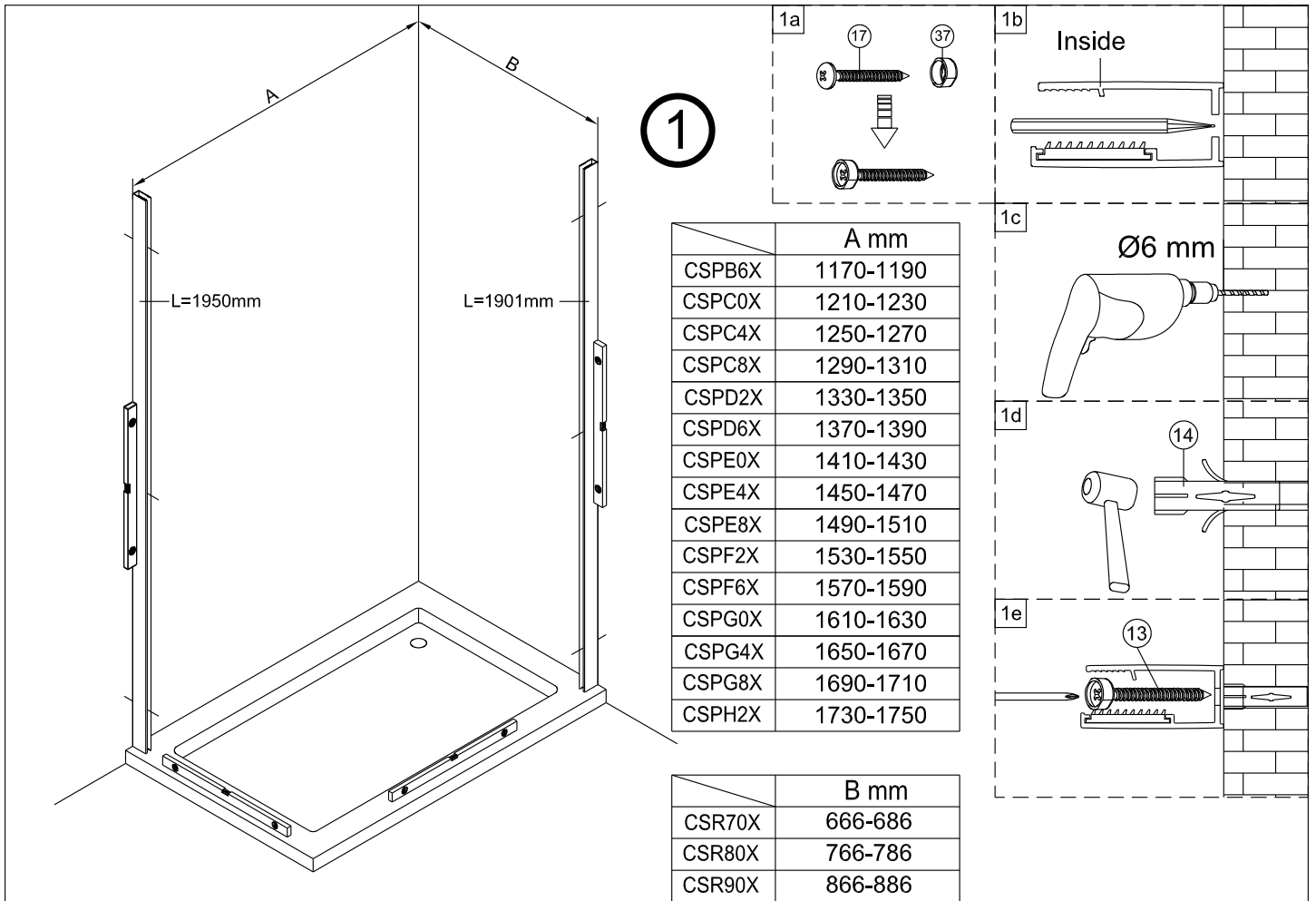


**Salsar**

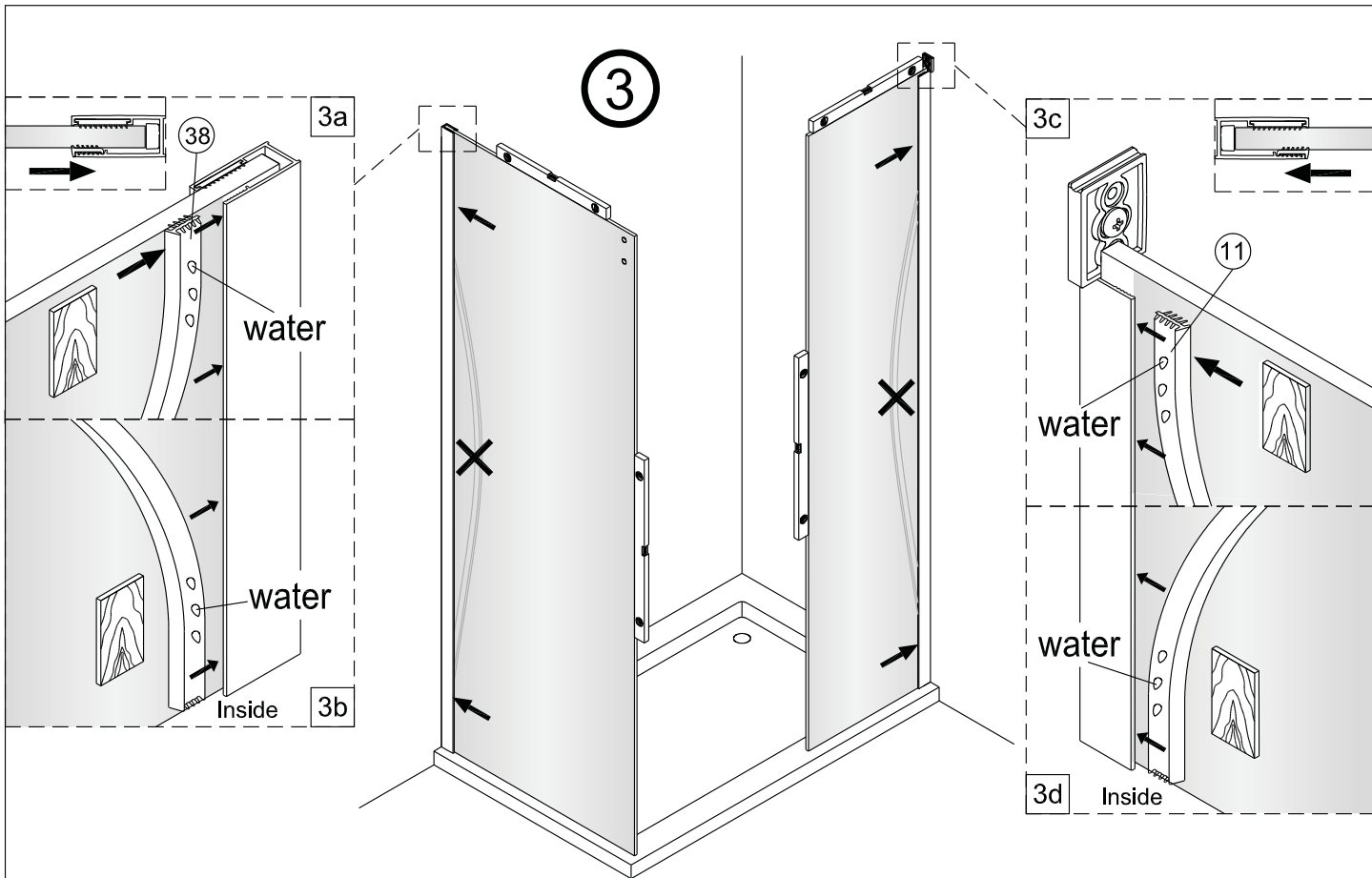


<b>13</b> ST 4x40 x2	<b>14</b> x2	<b>35</b> x1	<b>36</b> L=1950mm x1	<b>37</b> x1	<b>38</b> L=1950mm x1	<b>39</b> x1	<b>40</b> x2	<b>41</b> x2
<b>42</b> x1	<b>43</b> M 5x20 x2	<b>44</b> x1						

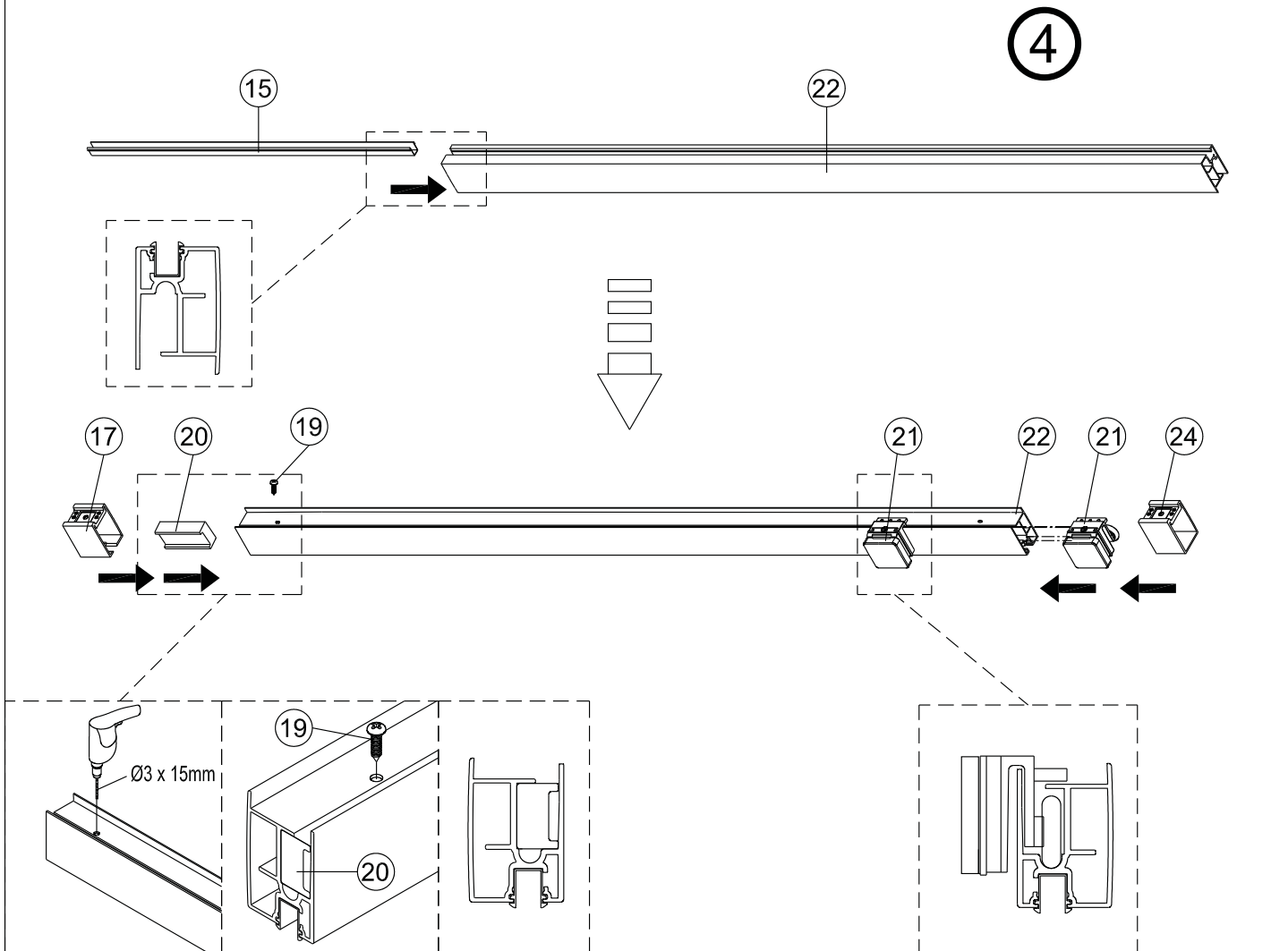




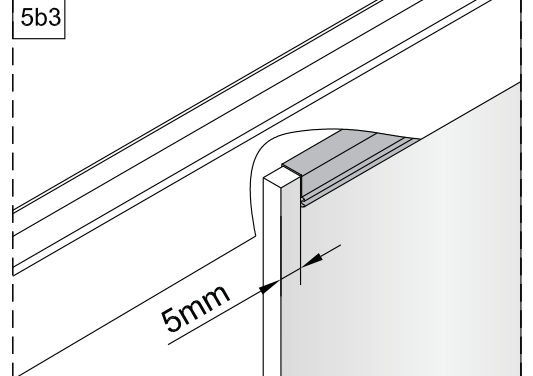
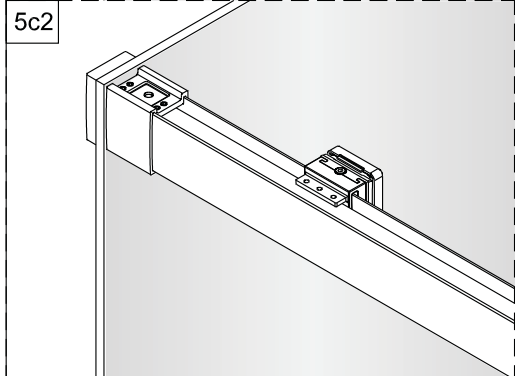
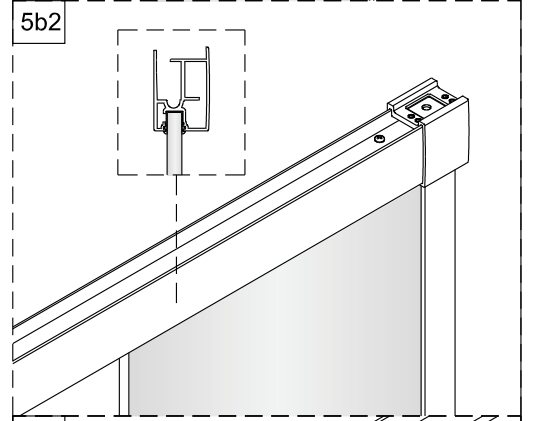
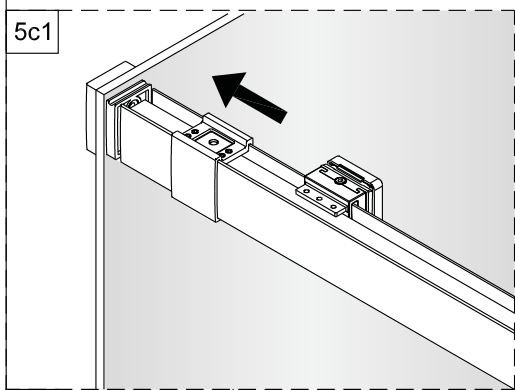
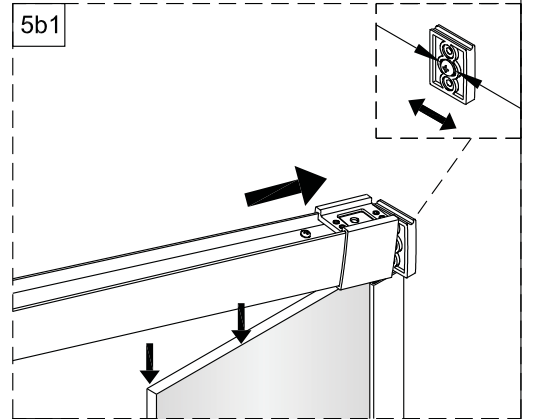
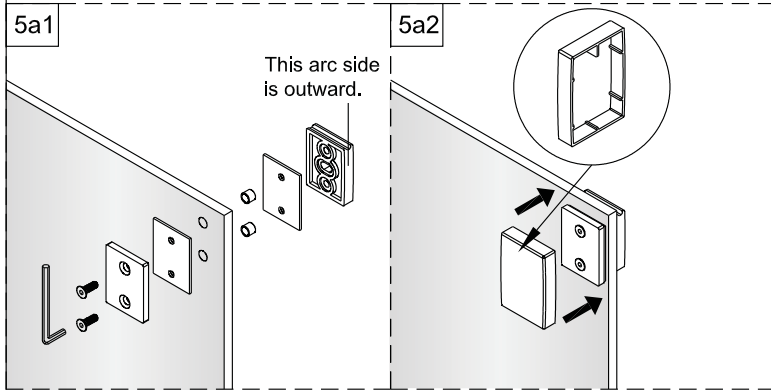
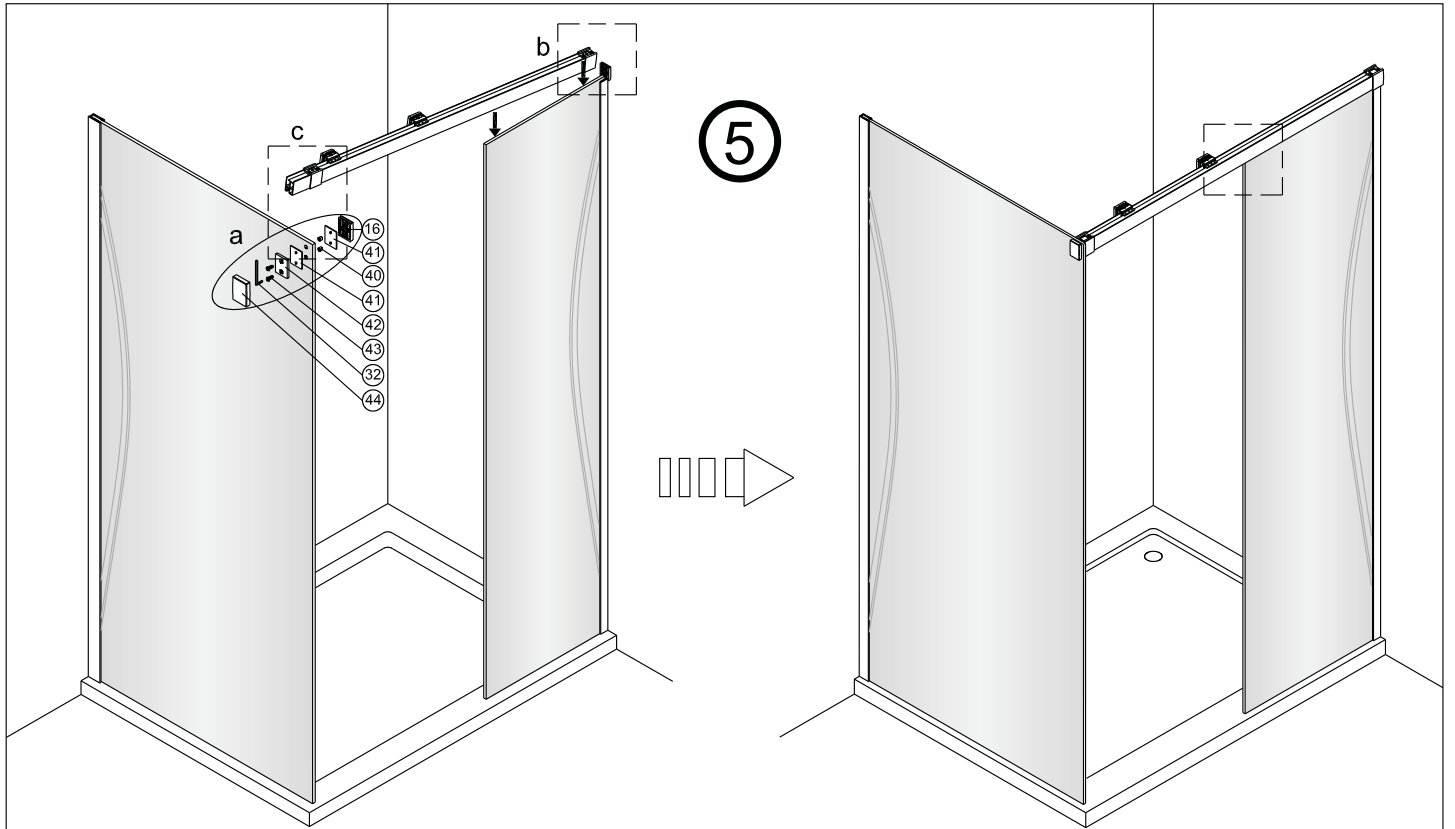
3

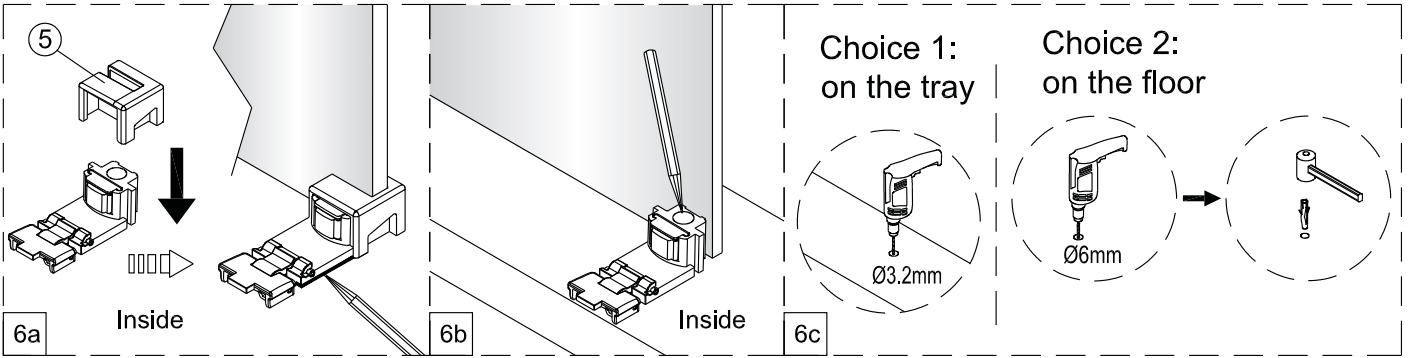


4



5

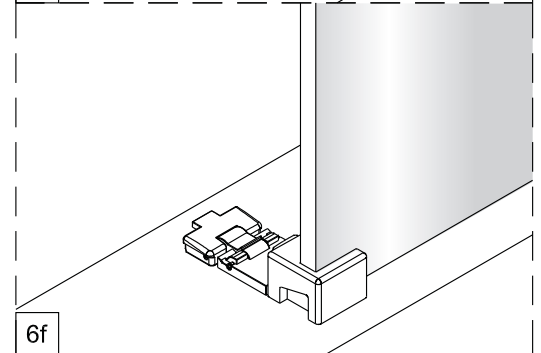
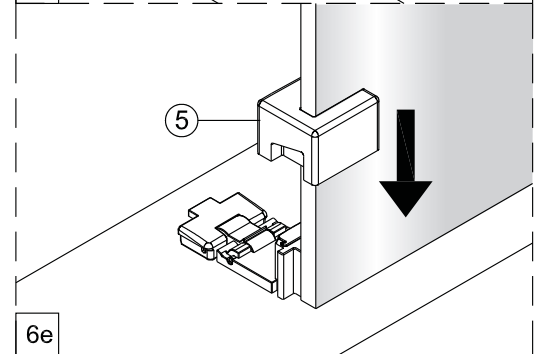
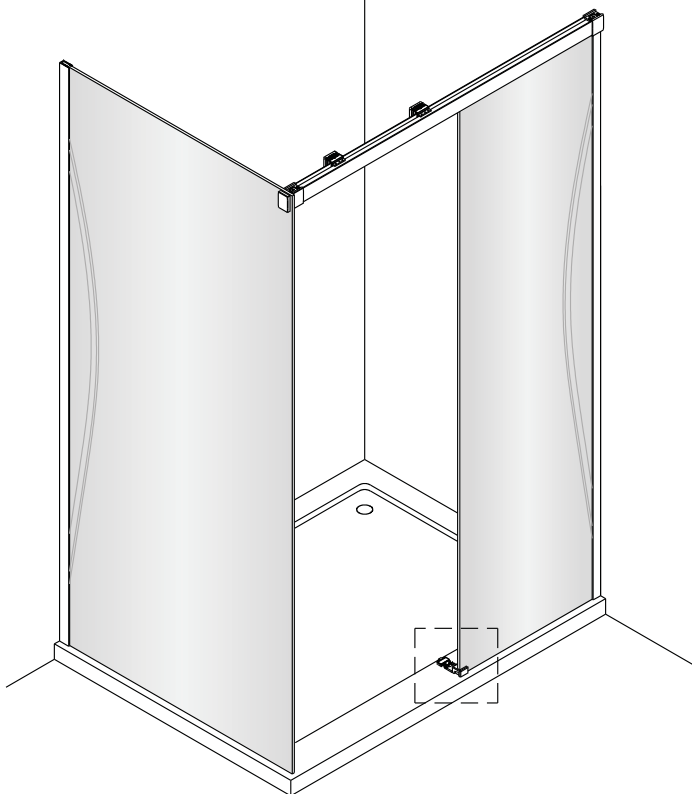
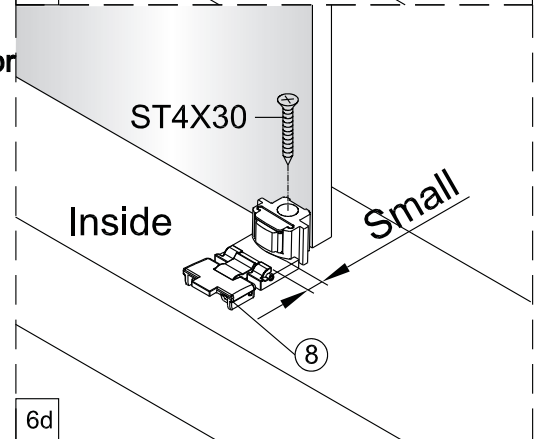
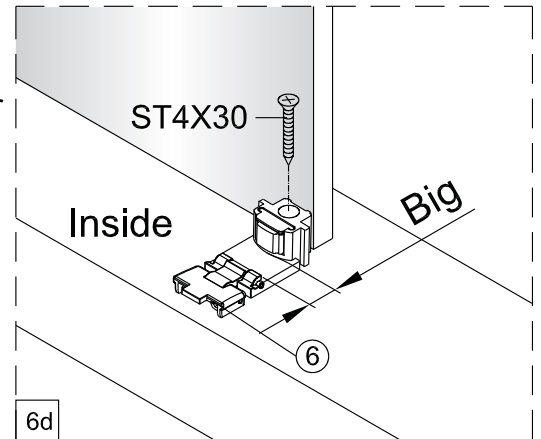


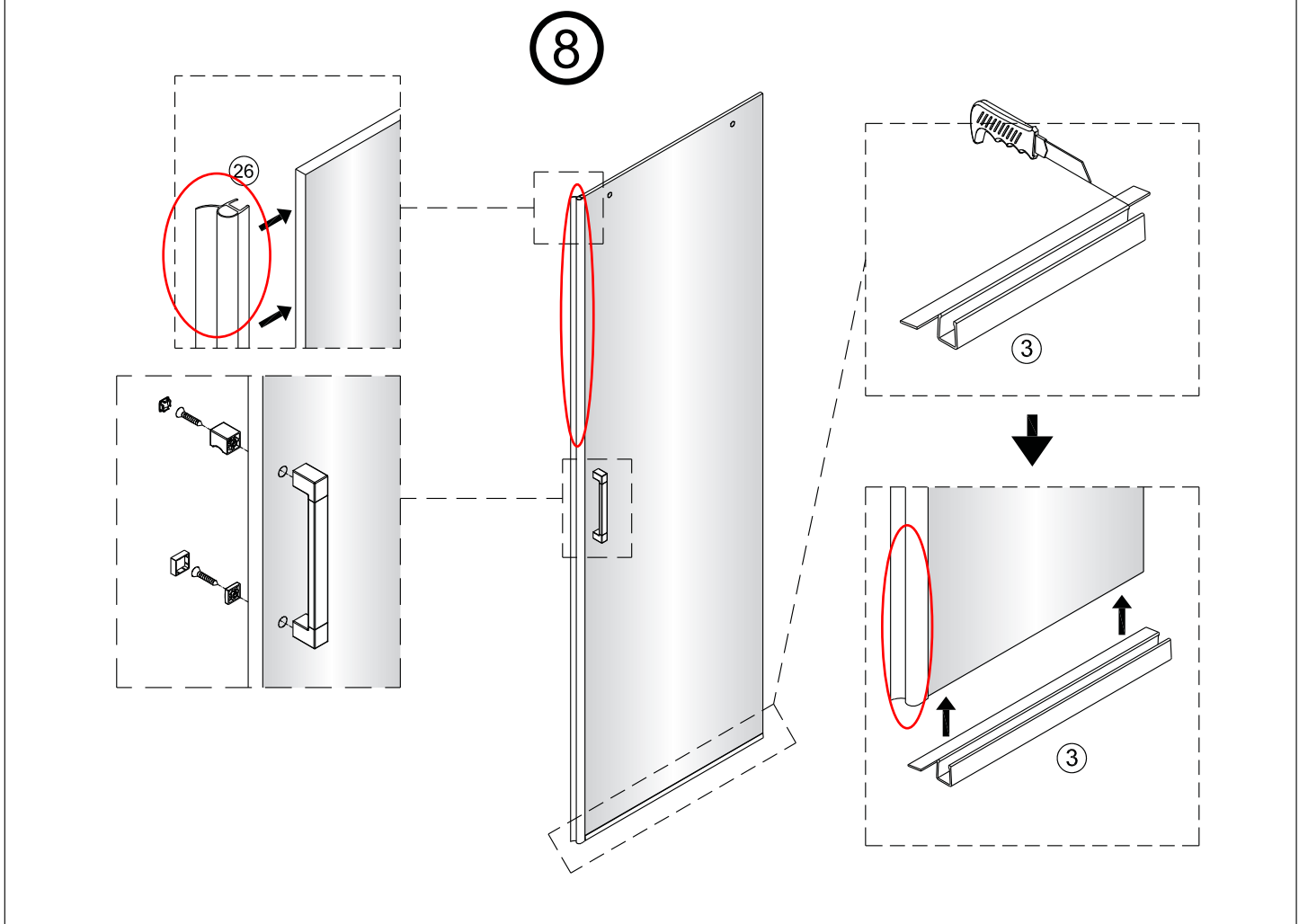
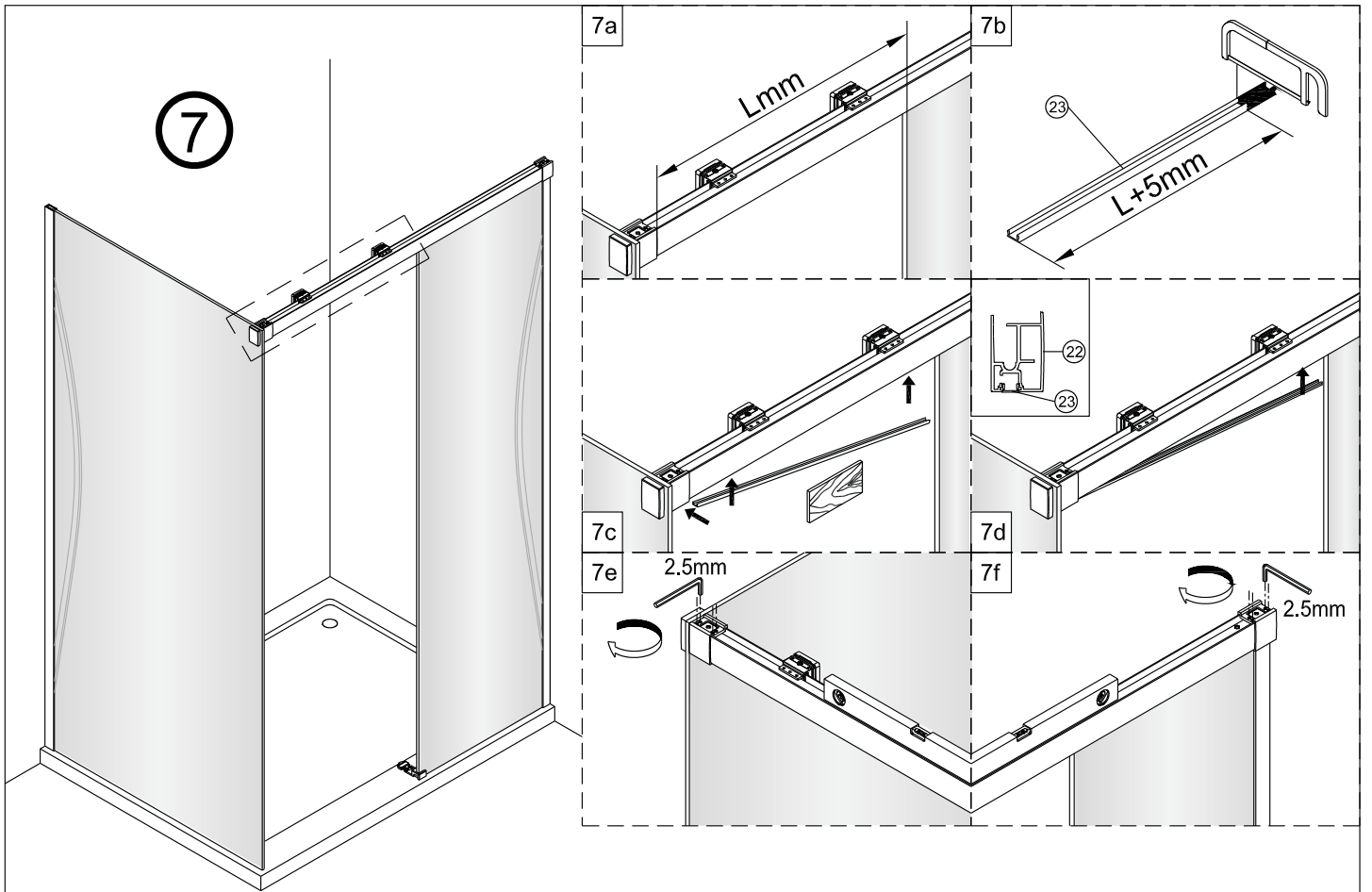


Insert the "Big" protector into the door guide when the moving glass use bottom waterproof strip.

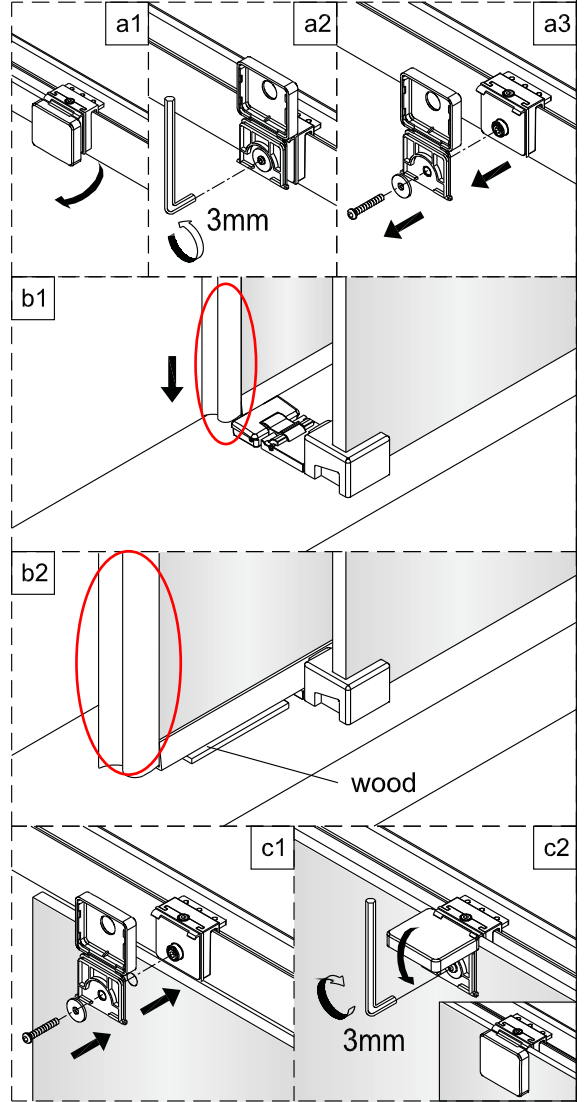
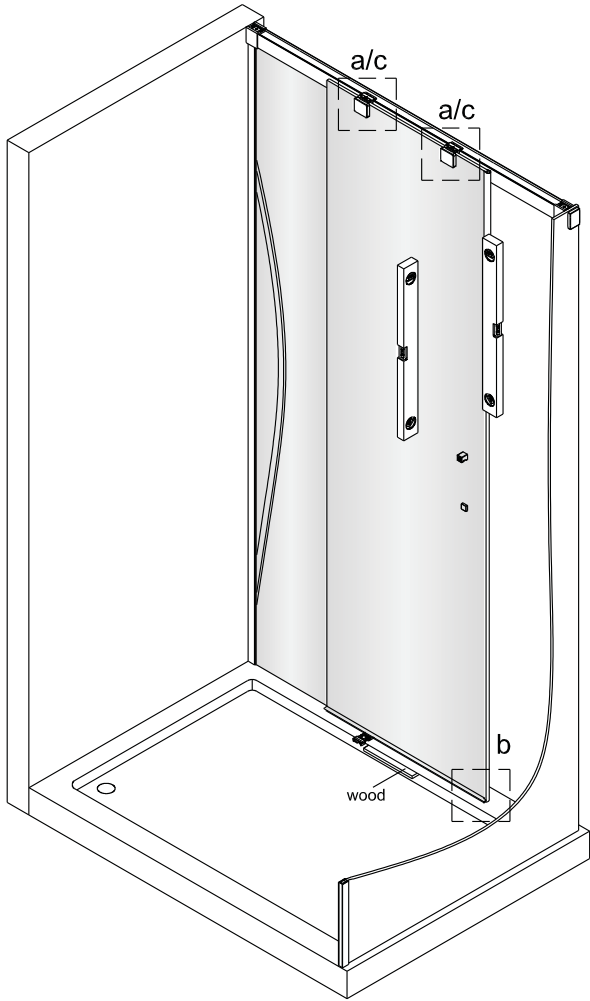
6

Insert the "Small" protector into the door guide when the moving glass does not use any bottom waterproof strip.



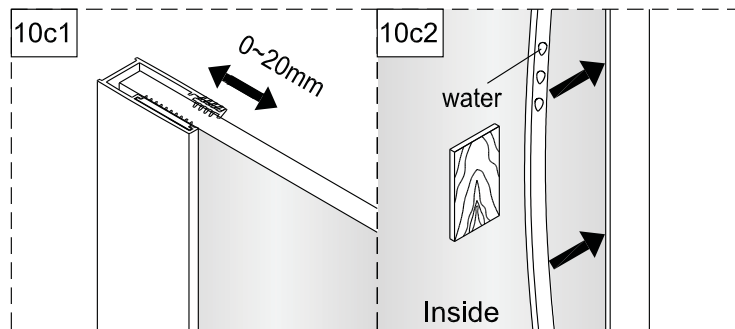
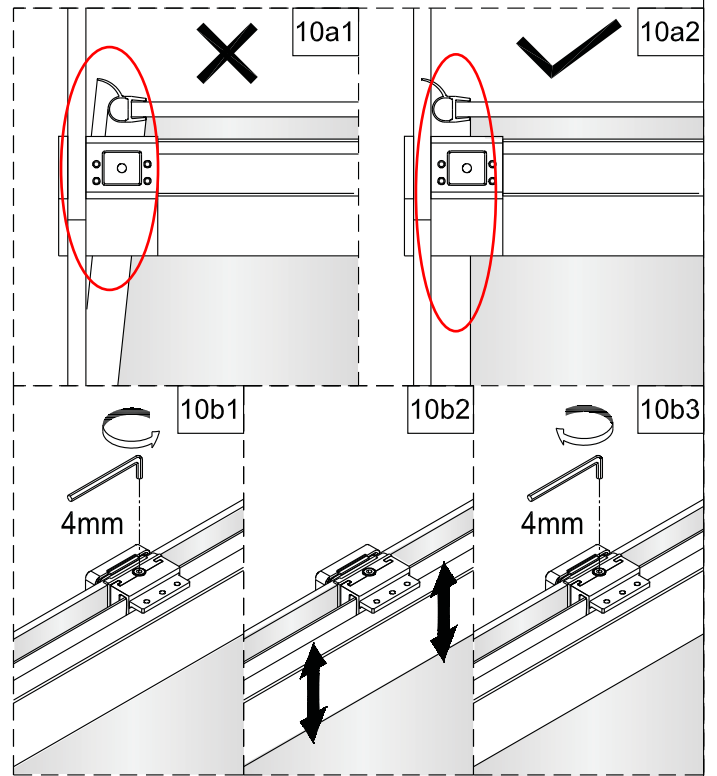
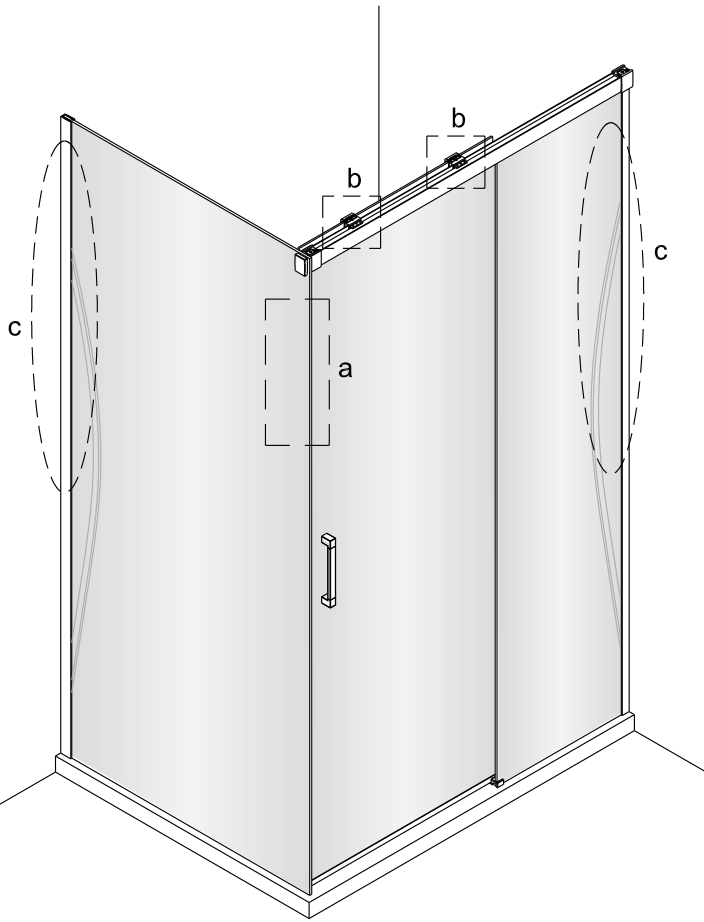


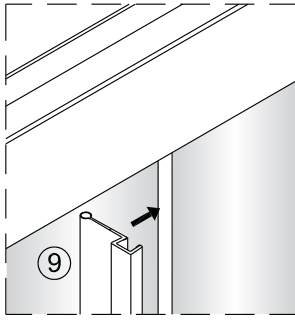
9



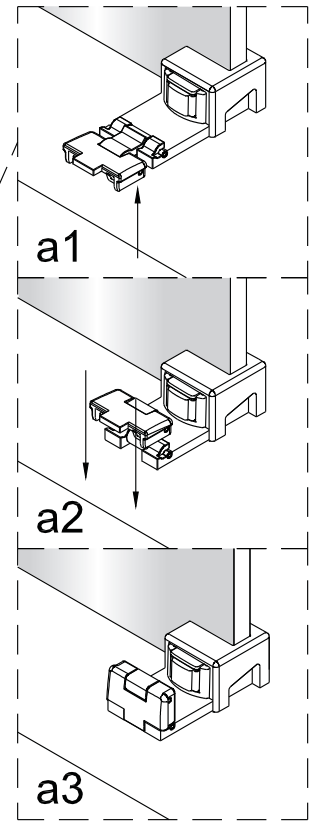
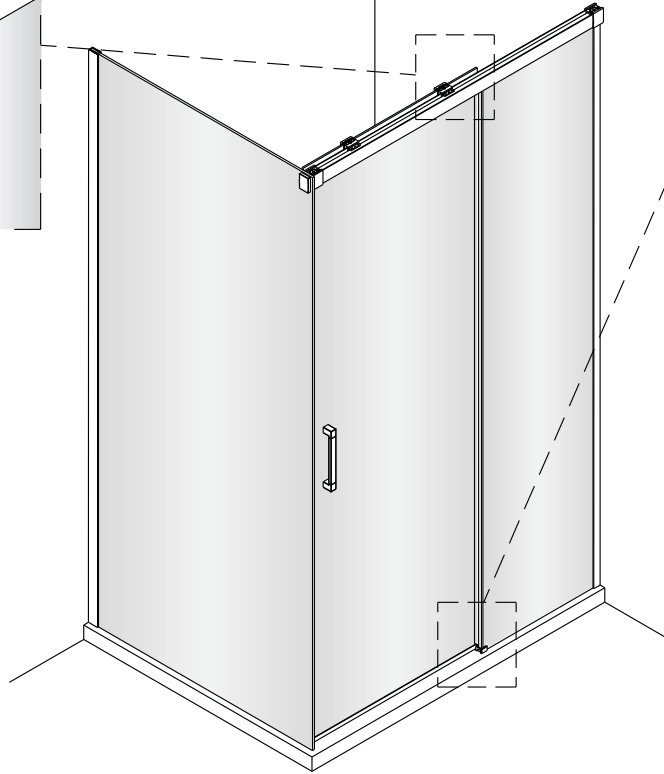


10

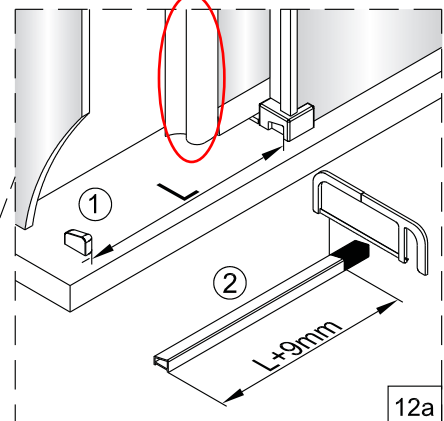
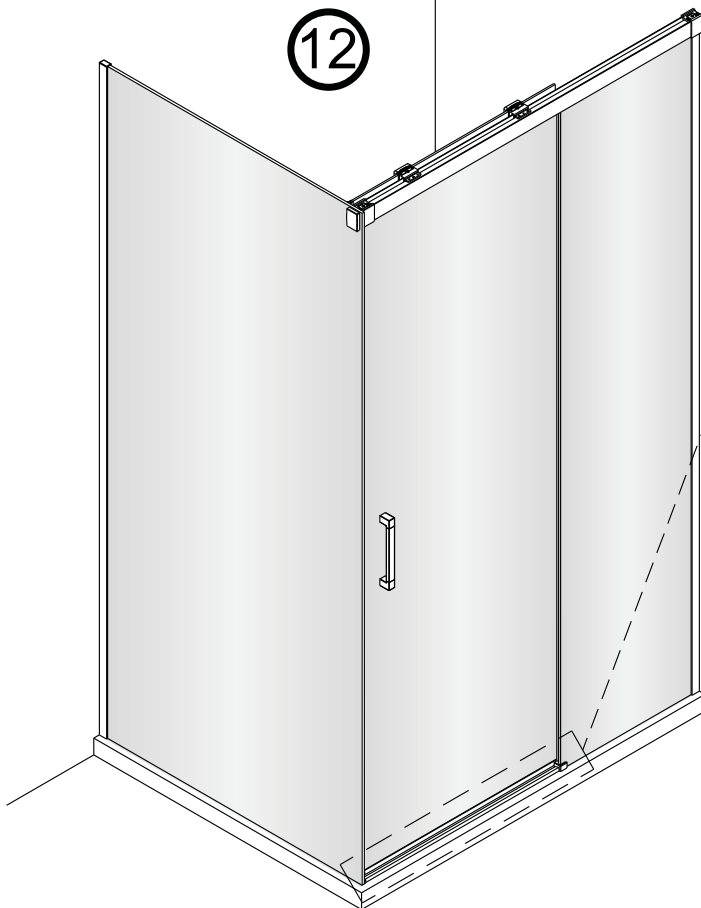




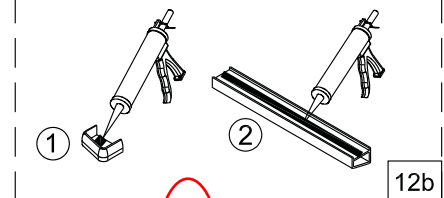
11



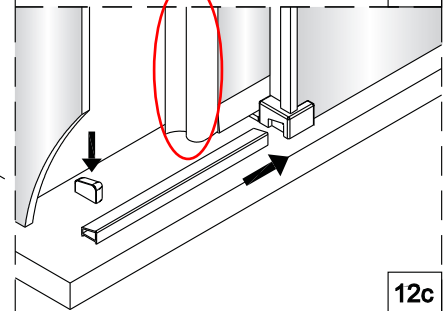
12



12a



12b



12c



13

