

33 525 661

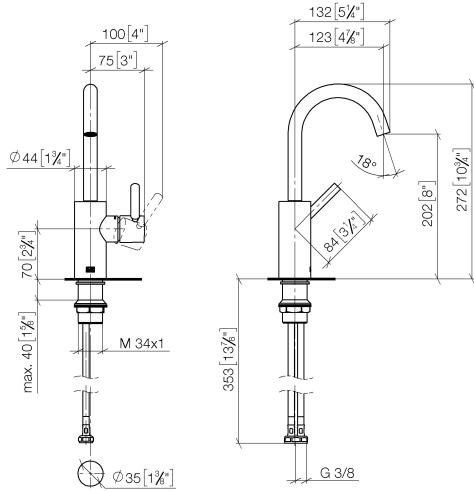


- 123mm projection
- pivotable spout 360°
- circular, air-enriched flow
- height of mixer 272 mm
- height up to aerator 202 mm
- hole diameter 35 mm
- 2x screw-in M 8 x 1 pressure hose, leak-tested
- max. flow 5.7 l/min
- lead-free
- This product can help a building meet the requirements of Green Building Rating Systems, e.g. LEED®, BREEAM®, DGNB
- WRAS 2005029

	Brushed Bronze	33 525 661-42
	Chrome	33 525 661-00
	Brushed Platinum	33 525 661-06
	Dark Chrome	33 525 661-19
	Light Gold	33 525 661-26
	Brushed Light Gold	33 525 661-27
	Matte Black	33 525 661-33
	Brushed Champagne (22kt Gold)	33 525 661-46
	Champagne (22kt Gold)	33 525 661-47
	Brushed Chrome	33 525 661-93
	Brushed Dark Platinum	33 525 661-99

33 525 661

mm [inches]



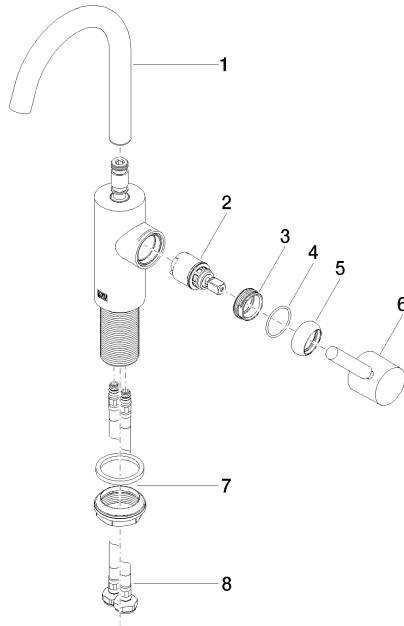
Flow rate chart



33 525 661

Product version from 1/23/2020

Parts for other
finishes can be found
here: [Chrome](#)





META Single-lever basin mixer without pop-up waste - Brushed Bronze

META

33 525 661

Spare parts list

Product version from 1/23/2020

No.	Item Number	Name	Quantity used	Delivery time
	90 28 22 321 00-42	spout	9	30