

DOOR PULL

MOON CH
Electric Marble Cal Natural



Handle composed of an aluminum alloy plate and brass handle body, finished in the polished champagne finish.
Vetrite insert Electric Marble Cal Natural color.

Technical Features

Design Massimiliano Raggi

PRODUCT DETAIL

Horizontal handle with long plate. Supplied in pairs, front and rear, including all mounting accessories. Lock not included. Decorative finishing plate without handle available for each variant upon request.

FUNCTION

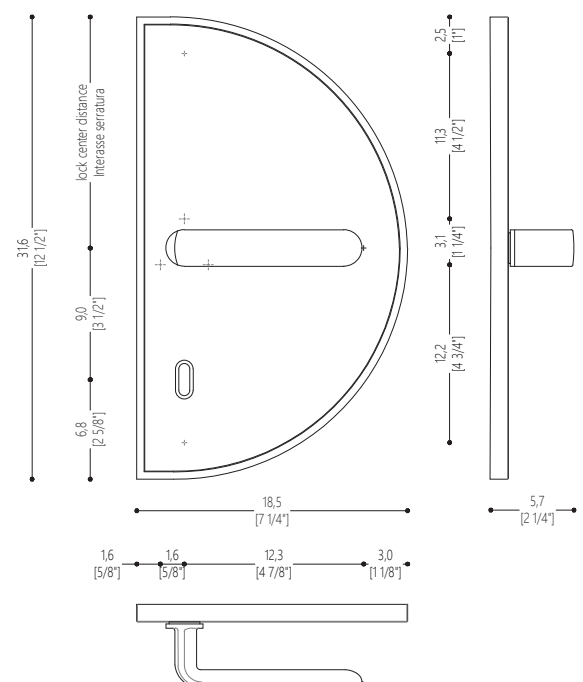
For internal swing, roto-translating or folding doors.

FINISH

Polished champagne or polished chrome.

STANDARD

European.



DOOR PULL

MOON CH
Pergamino Glacial



Handle composed of an aluminum alloy plate and brass handle body, finished in the polished champagne finish. Vetríte insert Pergamino Glacial color.

Technical Features

Design Massimiliano Raggi

PRODUCT DETAIL

Horizontal handle with long plate. Supplied in pairs, front and rear, including all mounting accessories. Lock not included. Decorative finishing plate without handle available for each variant upon request.

FUNCTION

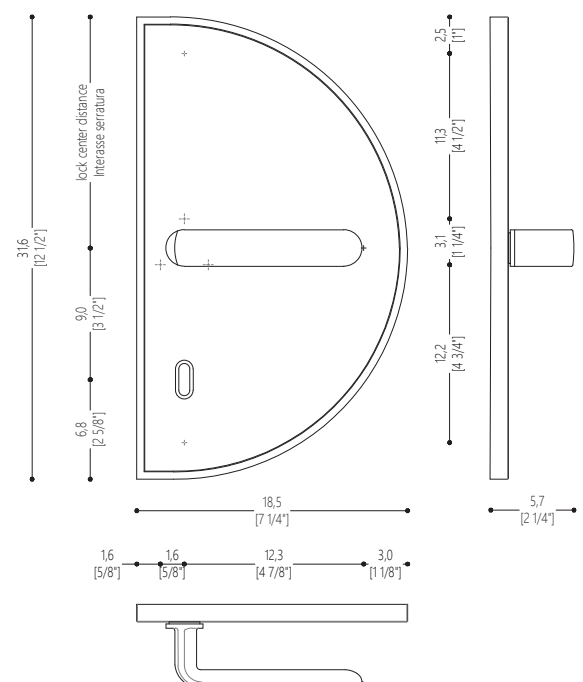
For internal swing, roto-translating or folding doors.

FINISH

Polished champagne or polished chrome.

STANDARD

European.



DOOR PULL

MOON CH
Pergamino Gold



Handle composed of an aluminum alloy plate and brass handle body, finished in the polished champagne finish. Vetrite insert Pergamino Gold color.

Technical Features

Design Massimiliano Raggi

PRODUCT DETAIL

Horizontal handle with long plate. Supplied in pairs, front and rear, including all mounting accessories. Lock not included. Decorative finishing plate without handle available for each variant upon request.

FUNCTION

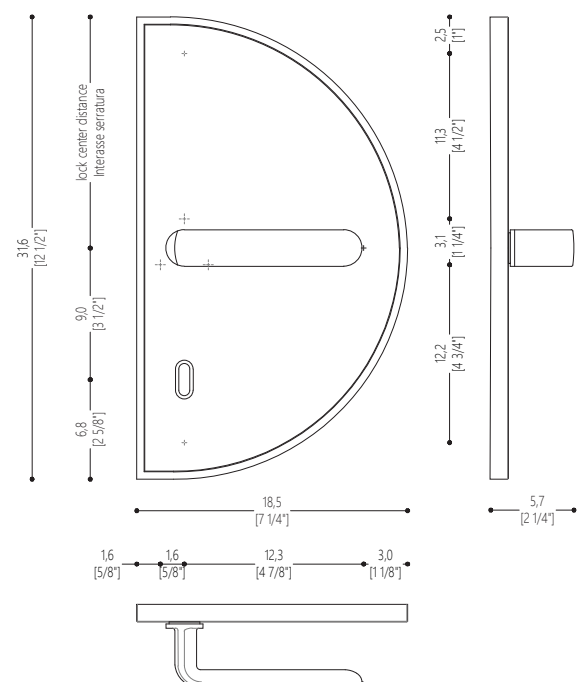
For internal swing, roto-translating or folding doors.

FINISH

Polished champagne or polished chrome.

STANDARD

European.



DOOR PULL

MOON CH
Suede Cream



Handle composed of an aluminum alloy plate and brass handle body, finished in the polished champagne finish. Vetricite insert Suede Cream color.

Technical Features

Design Massimiliano Raggi

PRODUCT DETAIL

Horizontal handle with long plate. Supplied in pairs, front and rear, including all mounting accessories. Lock not included. Decorative finishing plate without handle available for each variant upon request.

FUNCTION

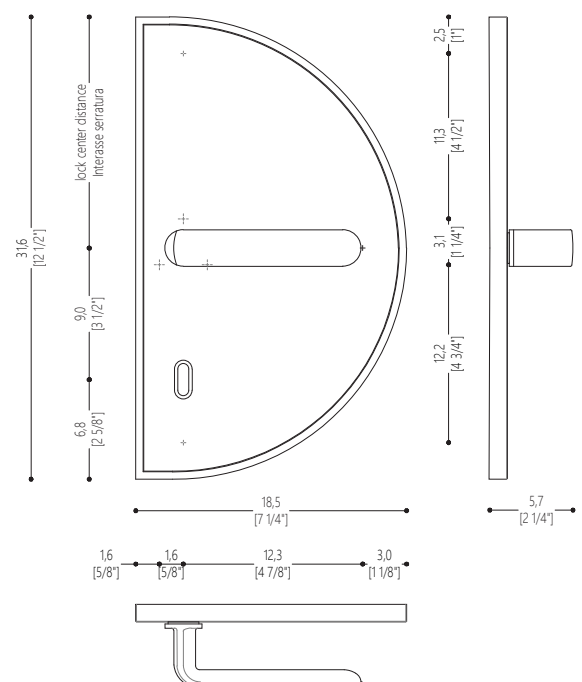
For internal swing, roto-translating or folding doors.

FINISH

Polished champagne or polished chrome.

STANDARD

European.



DOOR PULL

MOON CH
Tela Dark



Handle composed of an aluminum alloy plate and brass handle body, finished in the polished champagne finish.
Vetrice insert Tela Dark color.

Technical Features

Design Massimiliano Raggi

PRODUCT DETAIL

Horizontal handle with long plate. Supplied in pairs, front and rear, including all mounting accessories. Lock not included. Decorative finishing plate without handle available for each variant upon request.

FUNCTION

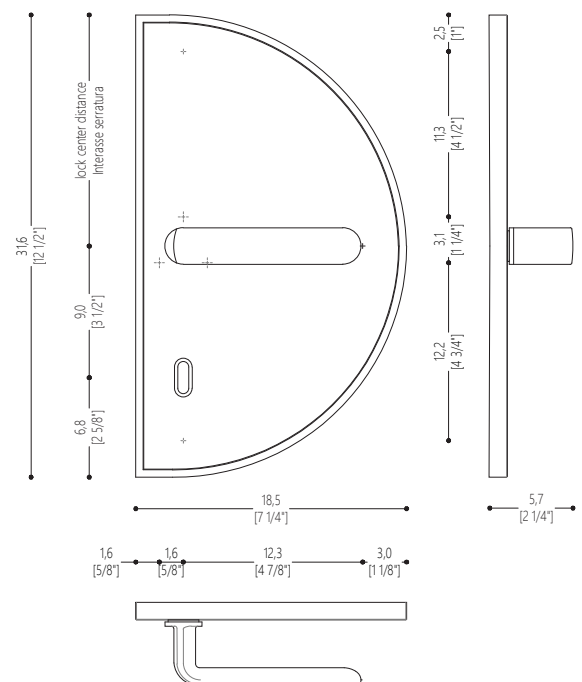
For internal swing, roto-translating or folding doors.

FINISH

Polished champagne or polished chrome.

STANDARD

European.



DOOR PULL

MOON CR
Canapa Ardesia



Handle composed of an aluminum alloy plate and brass handle body, finished in the polished chrome finish.
Vetrite insert Canapa Ardesia color.

Technical Features

Design Massimiliano Raggi

PRODUCT DETAIL

Horizontal handle with long plate. Supplied in pairs, front and rear, including all mounting accessories. Lock not included. Decorative finishing plate without handle available for each variant upon request.

FUNCTION

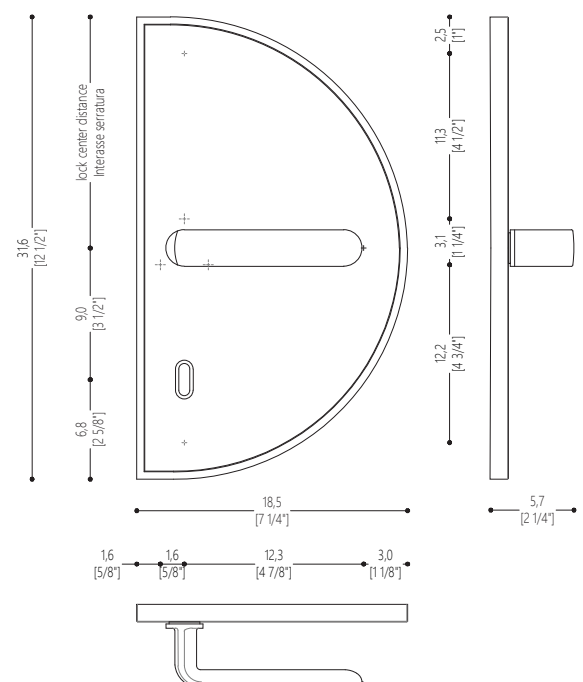
For internal swing, roto-translating or folding doors.

FINISH

Polished champagne or polished chrome.

STANDARD

European.



DOOR PULL

MOON CR
Electric Marble Cal Natural



Handle composed of an aluminum alloy plate and brass handle body, finished in the polished chrome finish.
Veprite insert Electric Marble Cal Natural color.

Technical Features

Design Massimiliano Raggi

PRODUCT DETAIL

Horizontal handle with long plate. Supplied in pairs, front and rear, including all mounting accessories. Lock not included. Decorative finishing plate without handle available for each variant upon request.

FUNCTION

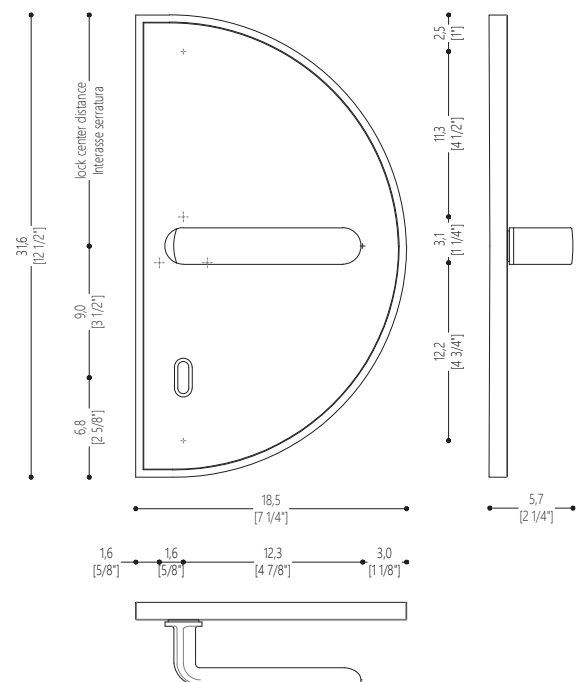
For internal swing, roto-translating or folding doors.

FINISH

Polished champagne or polished chrome.

STANDARD

European.



DOOR PULL

MOON CR
Feather Cromo



Handle composed of an aluminum alloy plate and brass handle body, finished in the polished chrome finish.
Vetrite insert Feather Cromo color.

Technical Features

Design Massimiliano Raggi

PRODUCT DETAIL

Horizontal handle with long plate. Supplied in pairs, front and rear, including all mounting accessories. Lock not included. Decorative finishing plate without handle available for each variant upon request.

FUNCTION

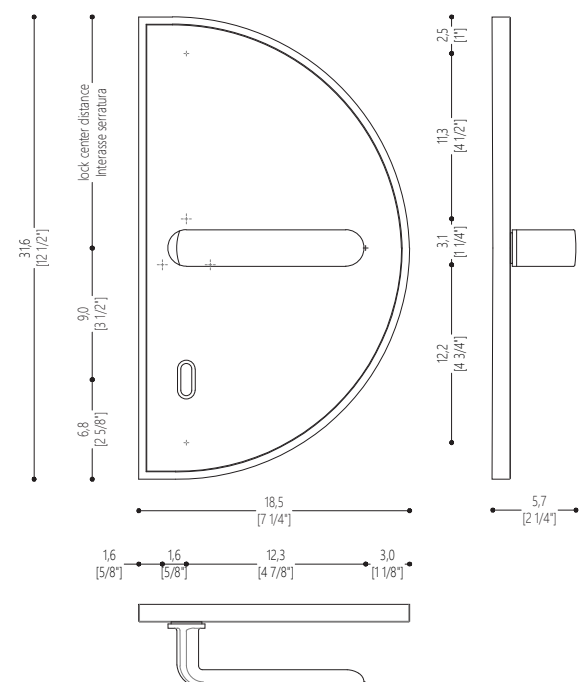
For internal swing, roto-translating or folding doors.

FINISH

Polished champagne or polished chrome.

STANDARD

European.



DOOR PULL

MOON CR
Peltro Mud



Handle composed of an aluminum alloy plate and brass handle body, finished in the polished chrome finish.
Vetrite insert Peltro Mud color.

Technical Features

Design Massimiliano Raggi

PRODUCT DETAIL

Horizontal handle with long plate. Supplied in pairs, front and rear, including all mounting accessories. Lock not included. Decorative finishing plate without handle available for each variant upon request.

FUNCTION

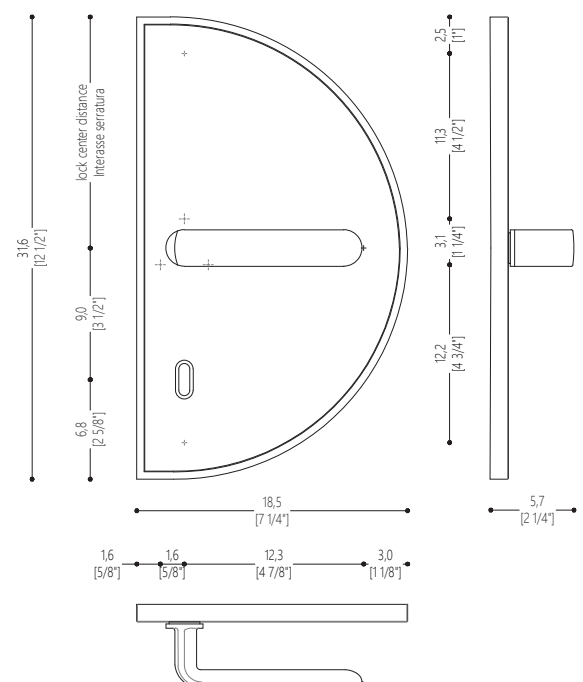
For internal swing, roto-translating or folding doors.

FINISH

Polished champagne or polished chrome.

STANDARD

European.



DOOR PULL

MOON CR
Pergamino Glacial



Handle composed of an aluminum alloy plate and brass handle body, finished in the polished chrome finish.
Vetrite insert Pergamino Glacial color.

Technical Features

Design Massimiliano Raggi

PRODUCT DETAIL

Horizontal handle with long plate. Supplied in pairs, front and rear, including all mounting accessories. Lock not included. Decorative finishing plate without handle available for each variant upon request.

FUNCTION

For internal swing, roto-translating or folding doors.

FINISH

Polished champagne or polished chrome.

STANDARD

European.

