

HEAVEN BATH - Fixed folding screen

CHARACTERISTICS

- Tempered glass Standard EN- 12150 8 mm
- Aluminum profile in gloss silver finish
- Reversible.
- Anti-lime treatment included
- Fixing tensor from fixed to wall included

Ultra-Protect
TRATAMIENTO ANTICAL INCLUIDO



CERTIFIED
BY TÜV
NORMA
EN-14428

DO NOT USE
ABRASIVE
PRODUCTS



Finish



Transparent

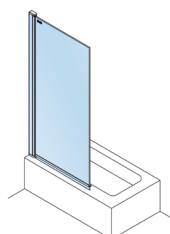
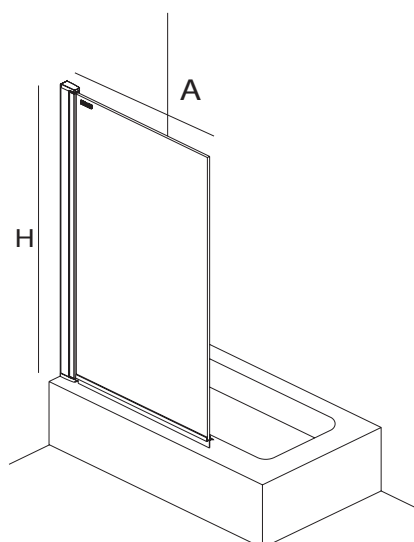


ROAD
serigraph

Dimensions

Dimensions (A)	Width mm.	Depth mm.	Hight mm.	Nº of packaging
800	860	50	1520	1
900	960	50	1520	1

Dimensions and packaging weight



Hight (H): 1400 mm.