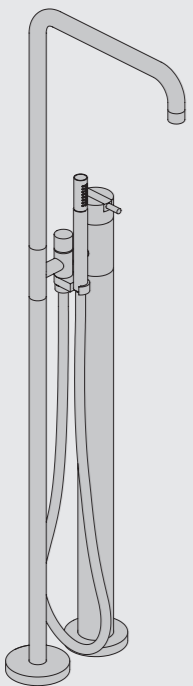


**VOLA FS1**

Fitting instruction  
Montageanleitung  
Monteringsvejledning

Monteringsvægledning  
Montage hanleiding  
Manuel de montage



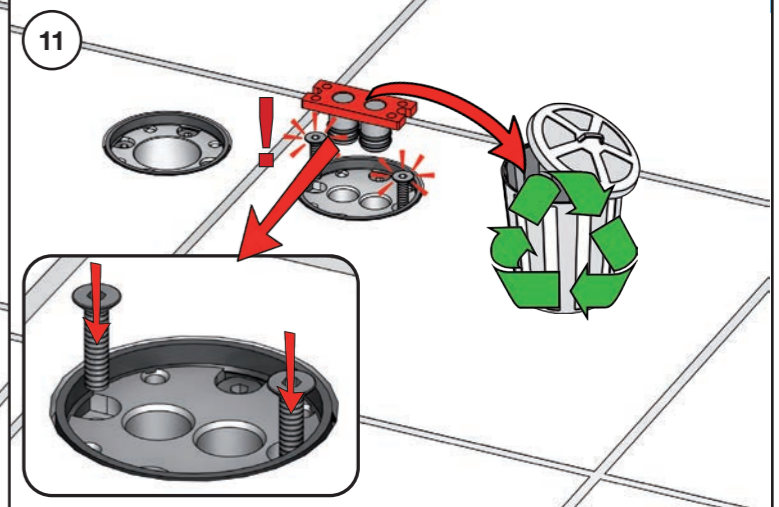
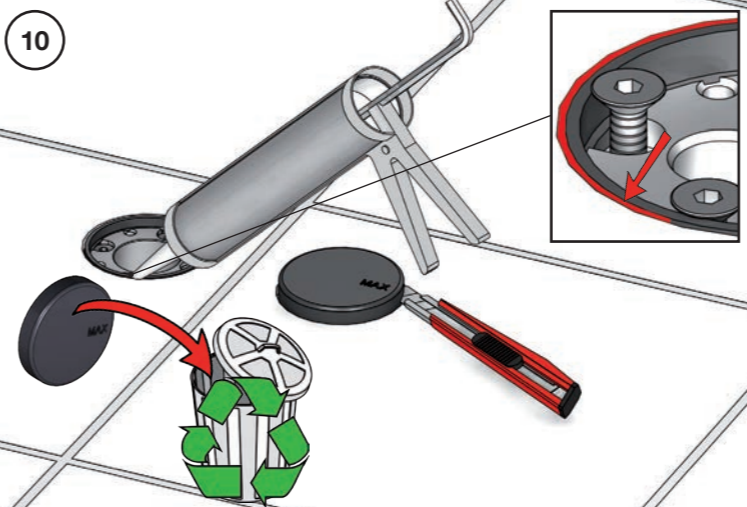
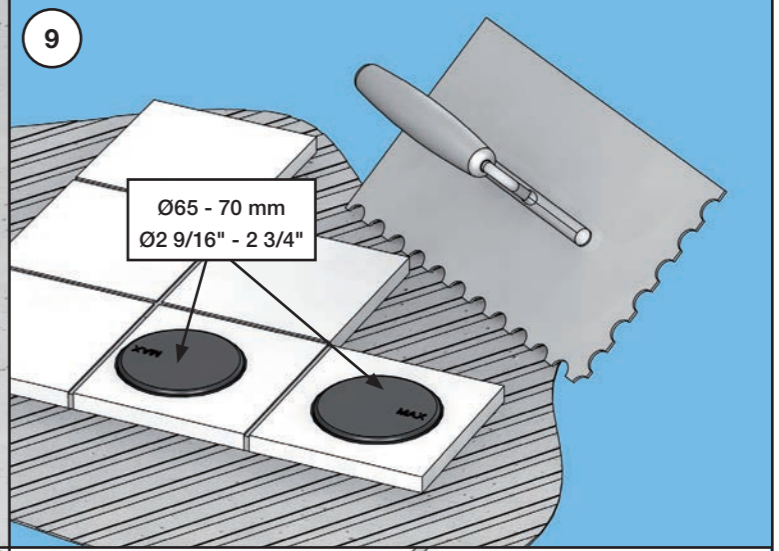
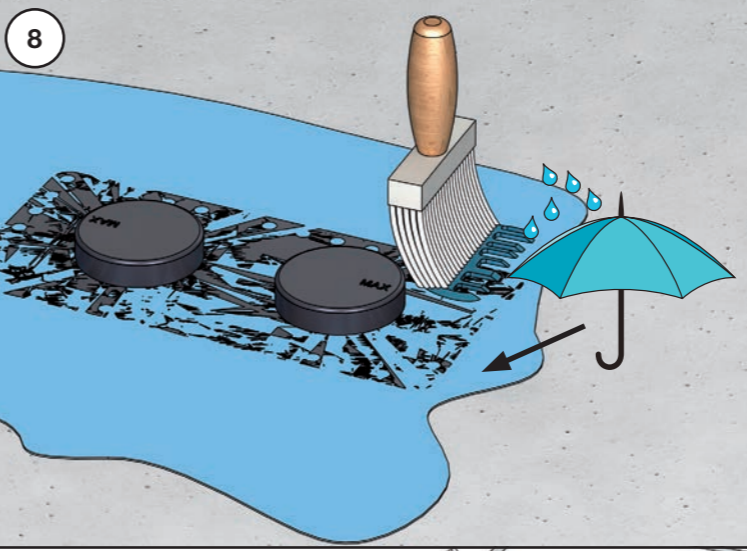
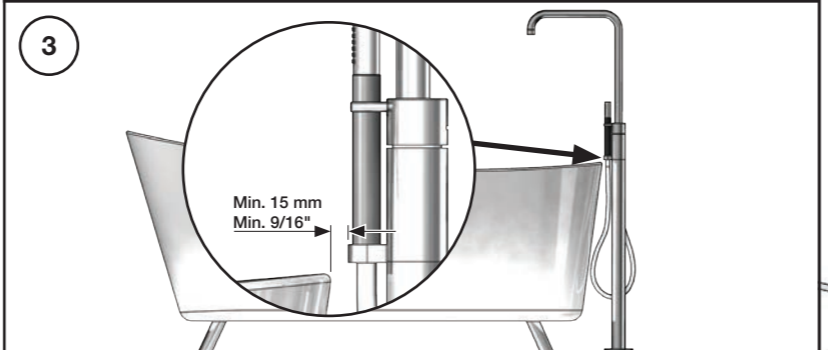
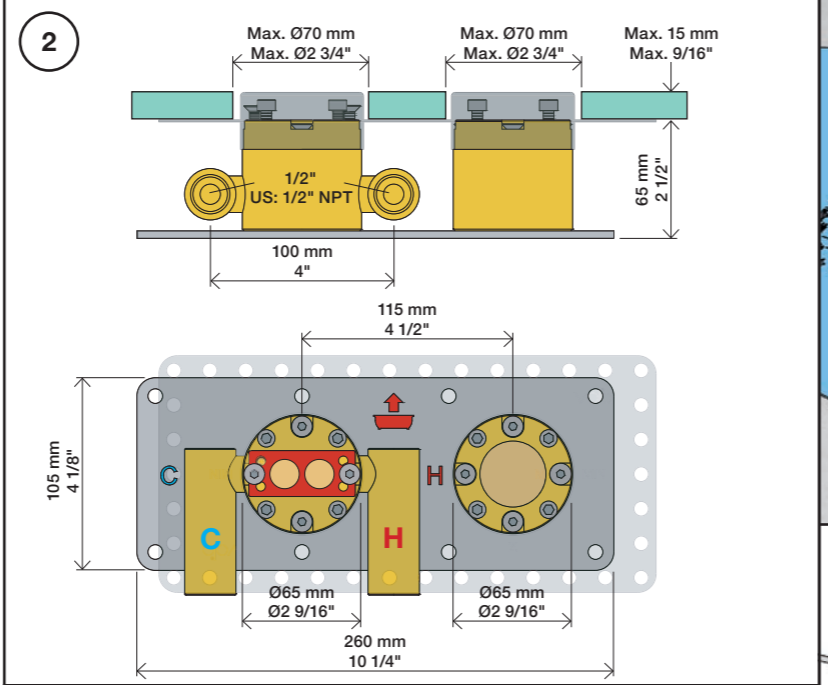
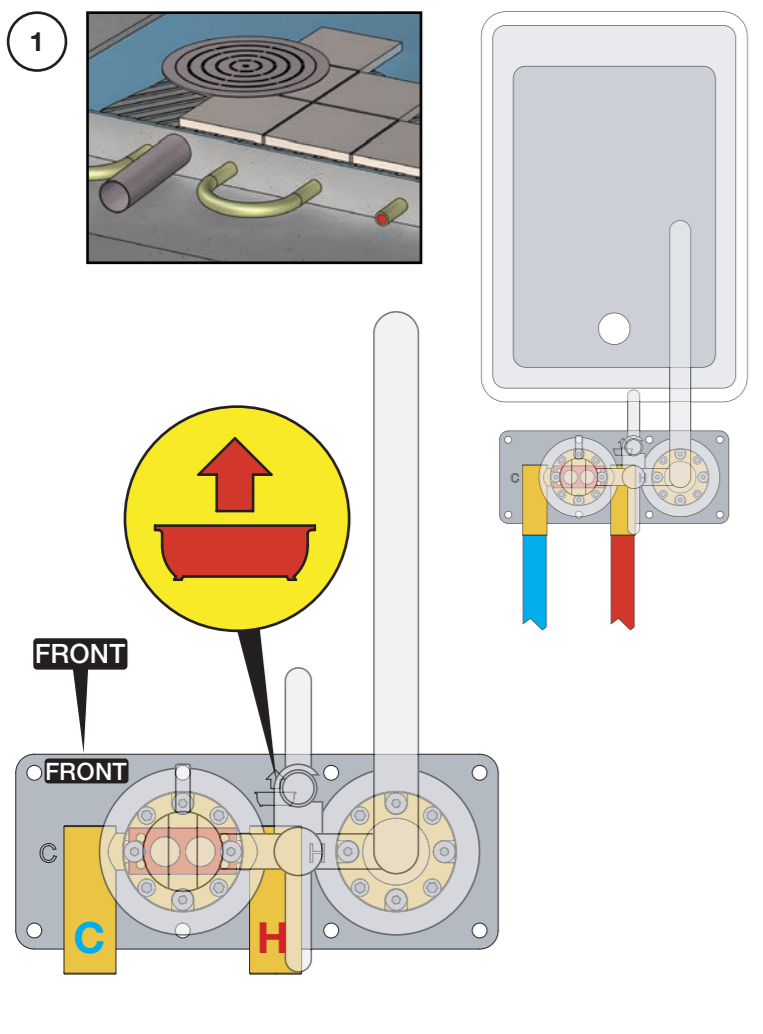
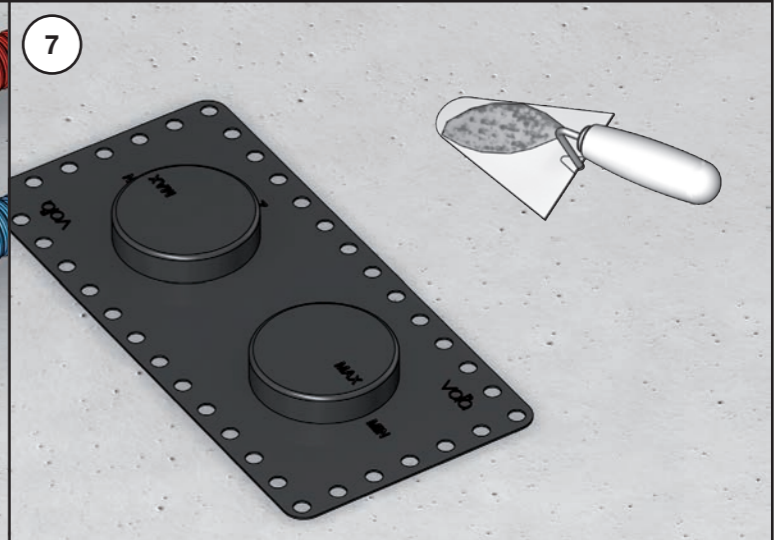
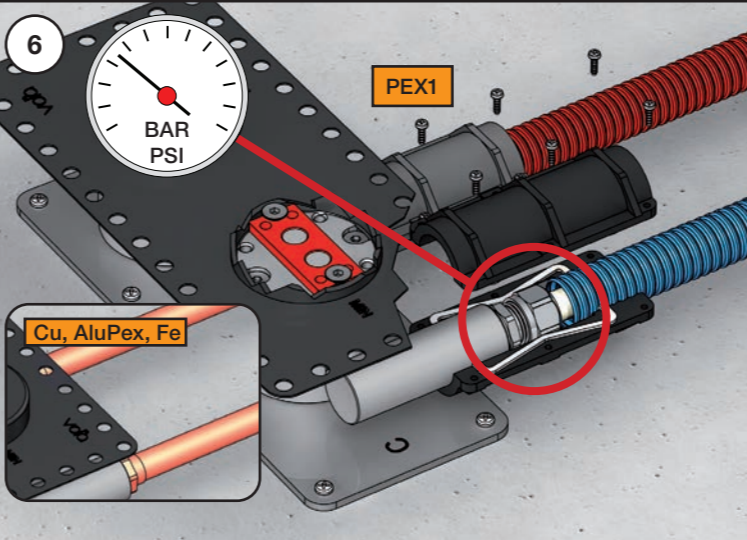
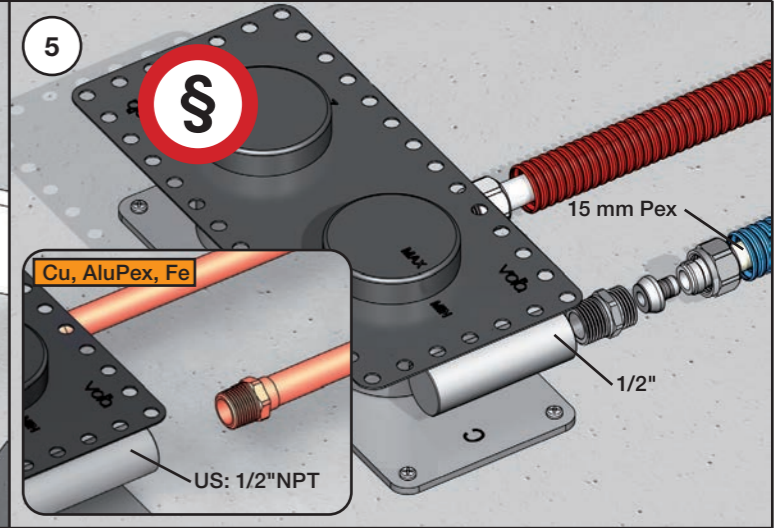
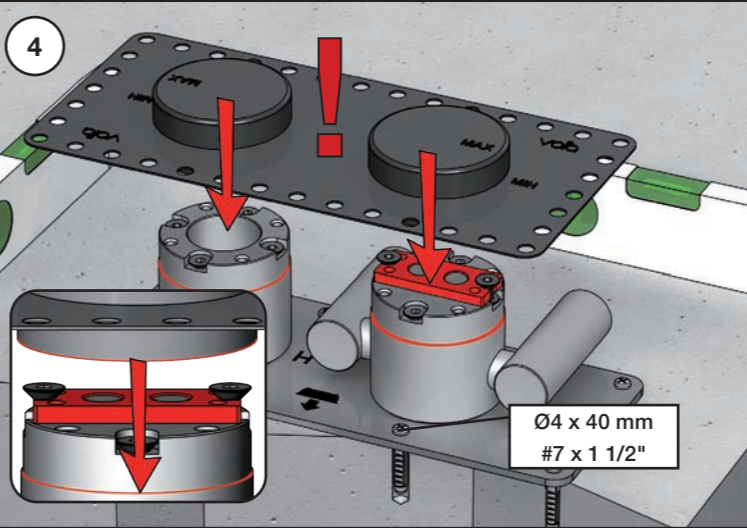
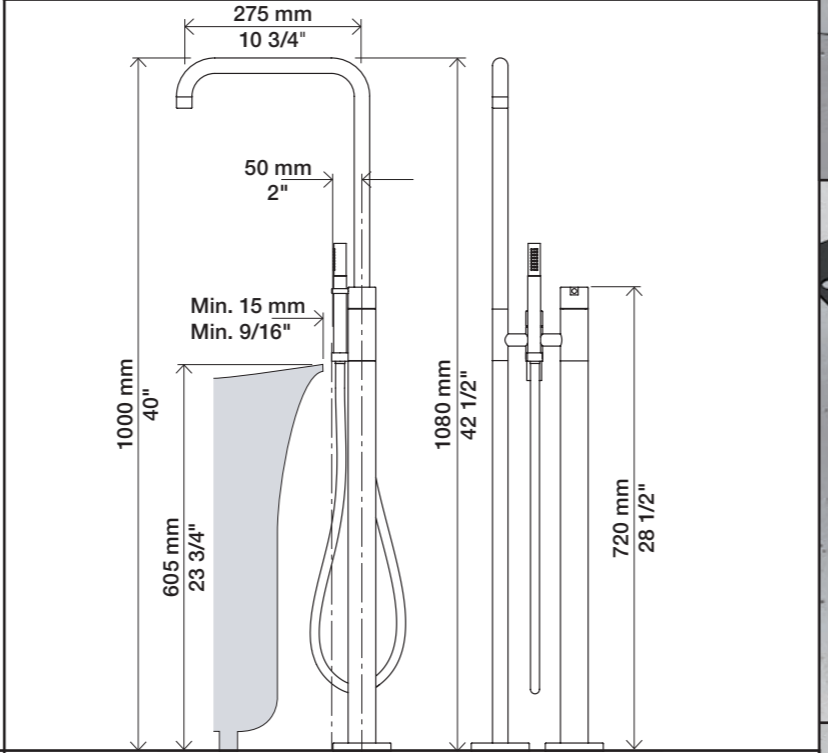
www.vola.com  
mnt\_FS1\_V4\_40600108

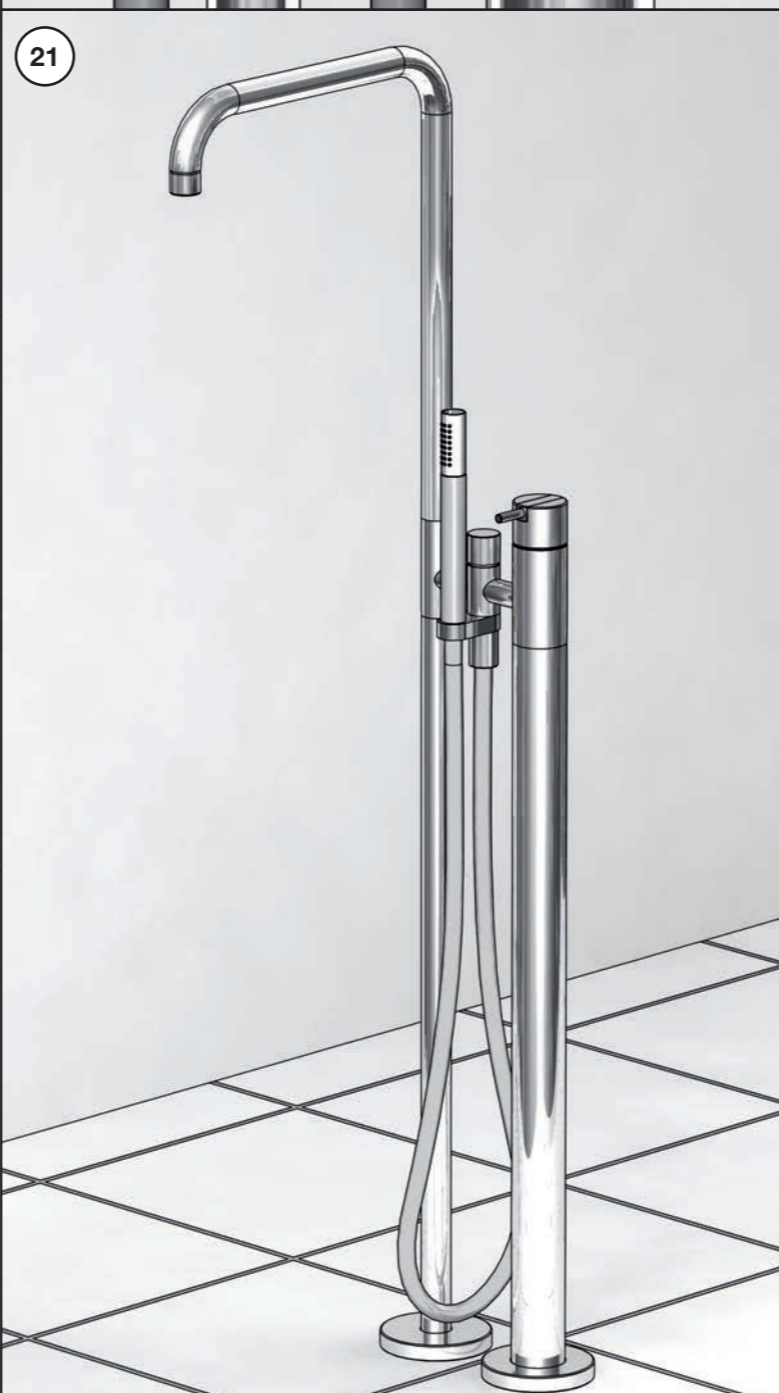
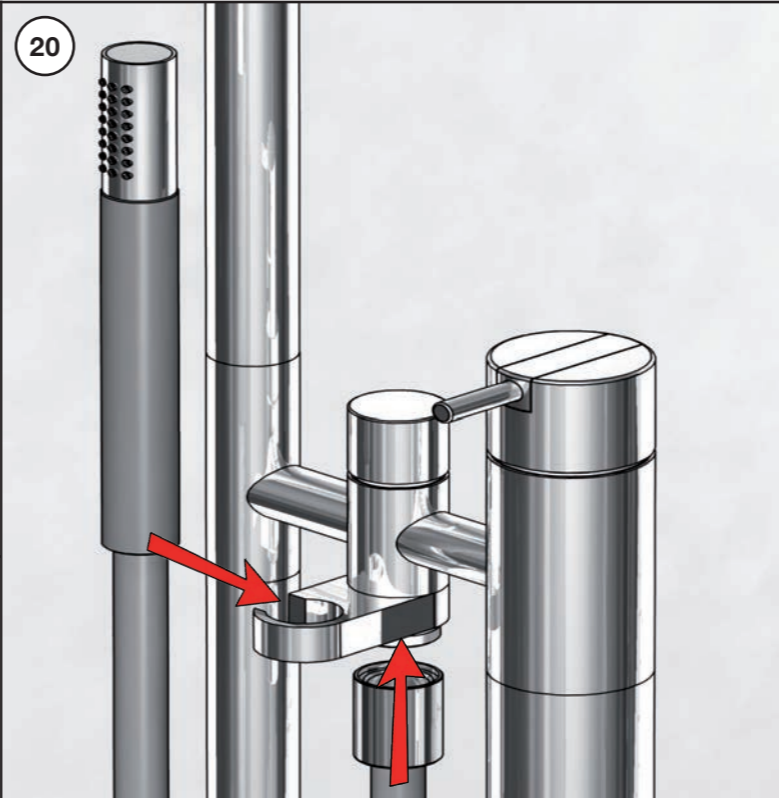
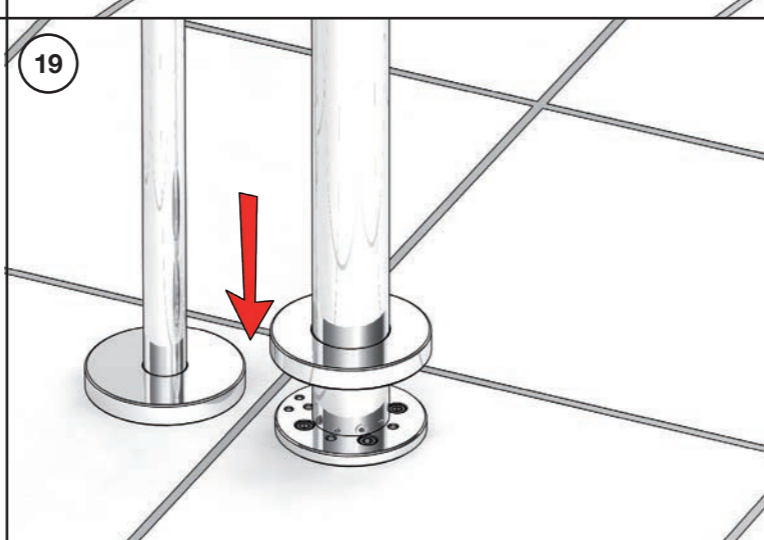
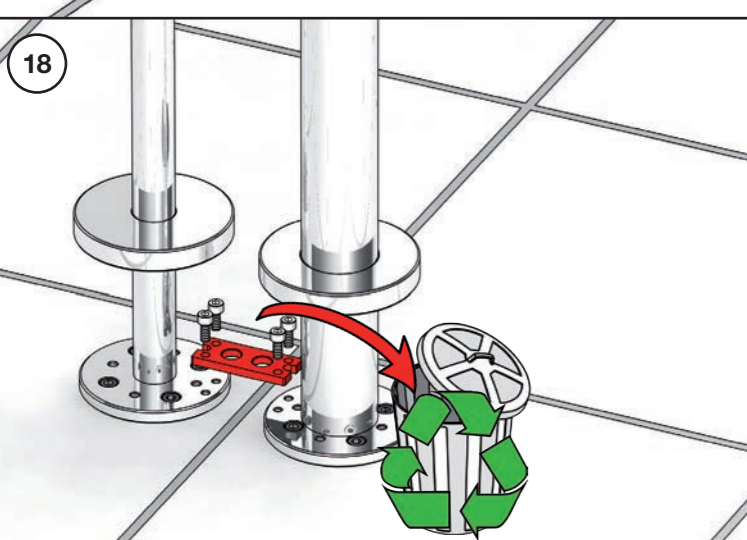
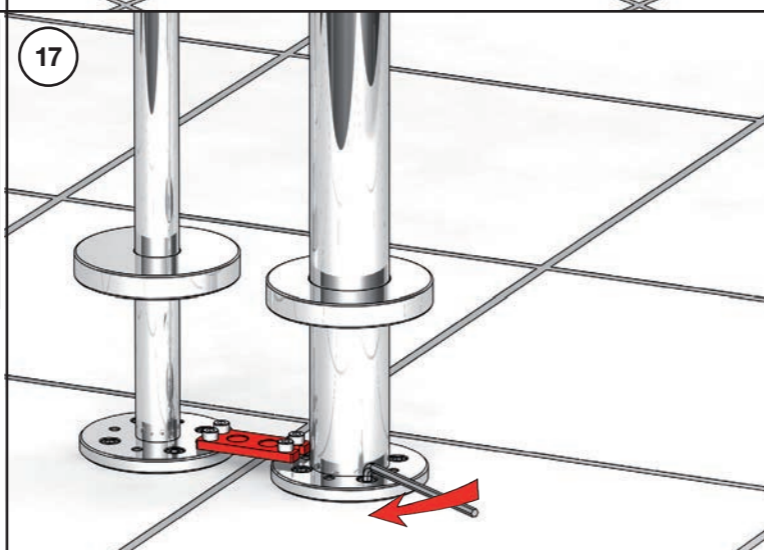
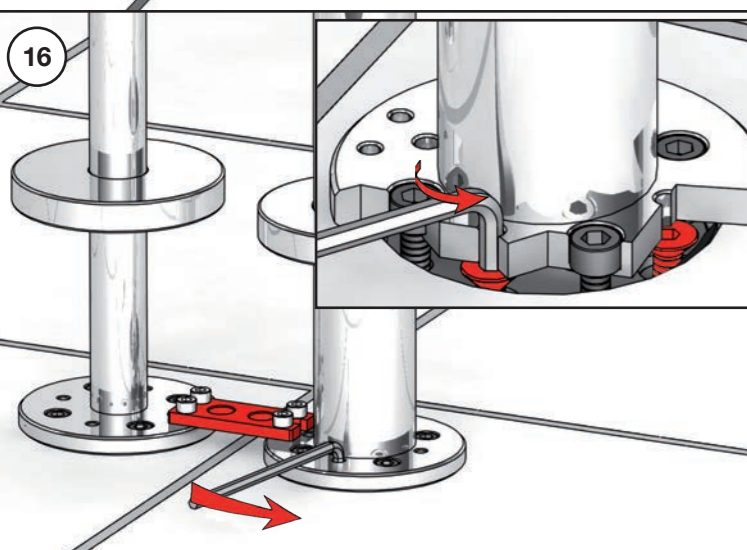
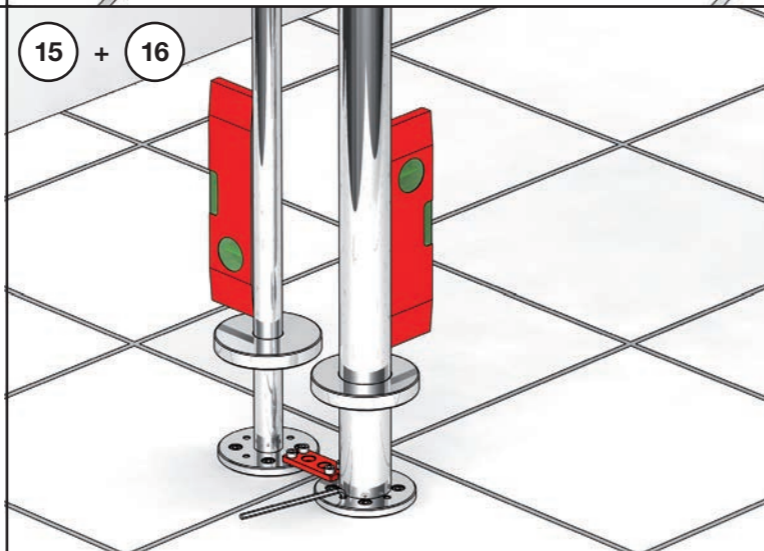
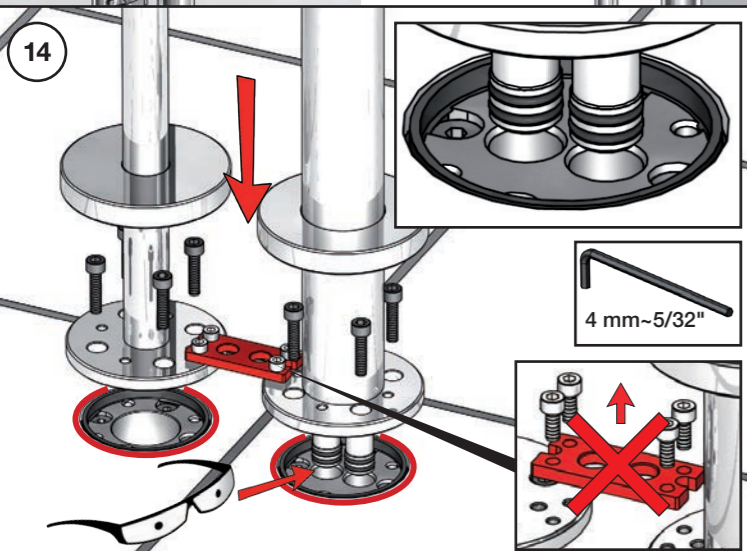
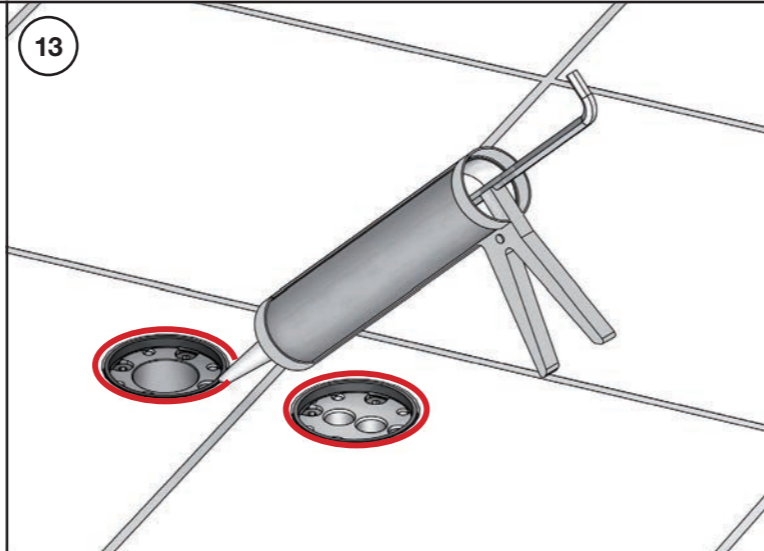
vola



Max. 65°C, 150°F Max. 10 Bar/145 Psi		<b>Bar:</b>	<b>1</b>	<b>2</b>	<b>3</b>	<b>4</b>	<b>5</b>
	<b>FS1 VR624D-STD</b>	(l/min) (Gal/min)	10.2 2.7	15.0 4.0	18.6 4.9	18.6 5.7	24.0 6.3
	<b>FS1 VR624E-ALT</b>	(l/min) (Gal/min)	12.6 3.3	18.0 4.8	22.2 5.9	25.2 6.7	28.8 7.6
	<b>T2</b>	(l/min) (Gal/min)	9.0 2.4	9.0 2.4	9.0 2.4	9.0 2.4	9.0 2.4

Temperature shall be regulated by one of the following means:  
 1. A limiting device conforming to either ASSE 1070/ASME A112.1070/CSA B125.70 or CSA B125.3.  
 2. A water heater conforming to ASSE 1084.



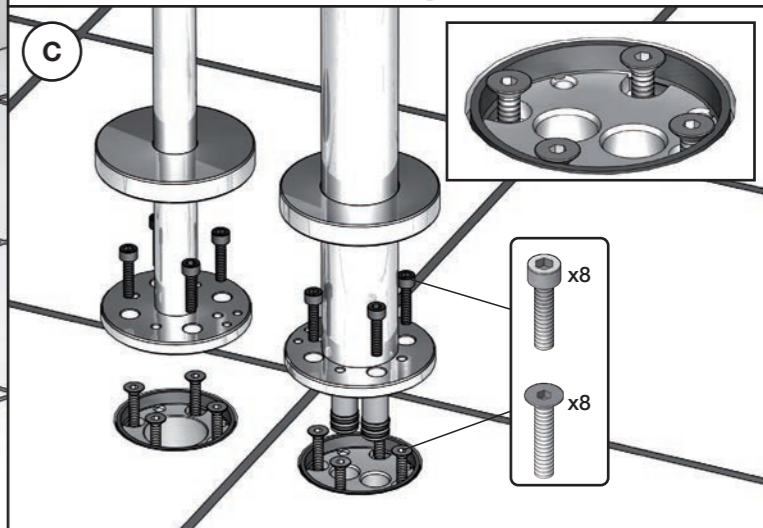
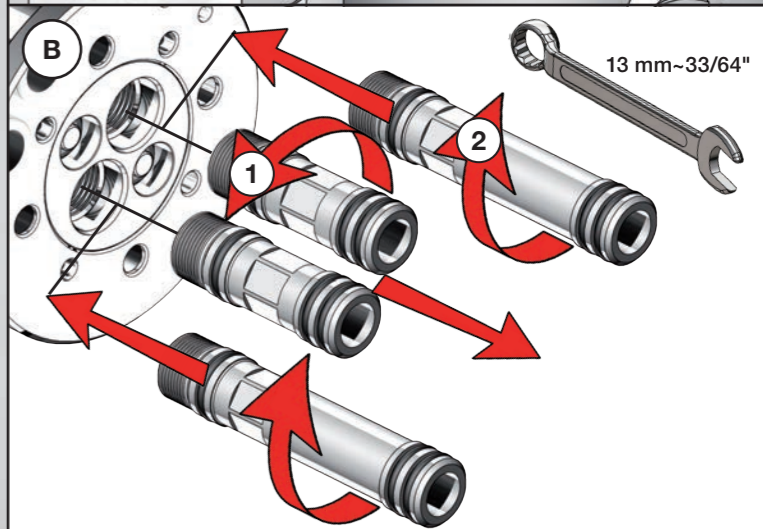
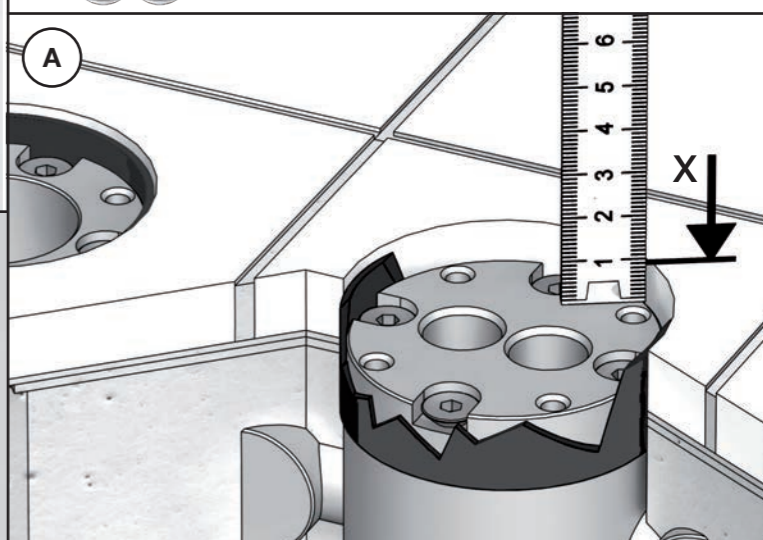


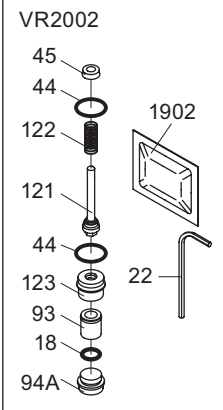
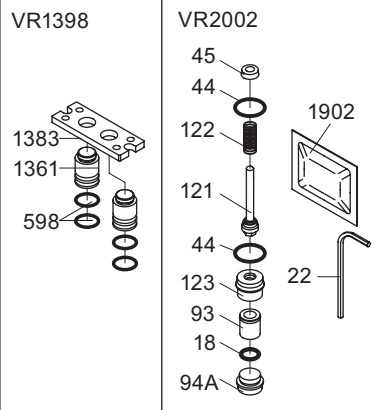
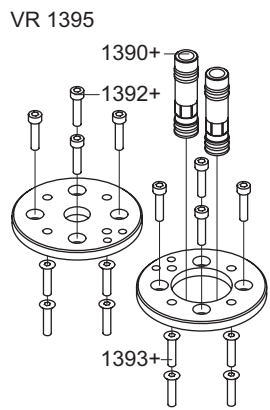
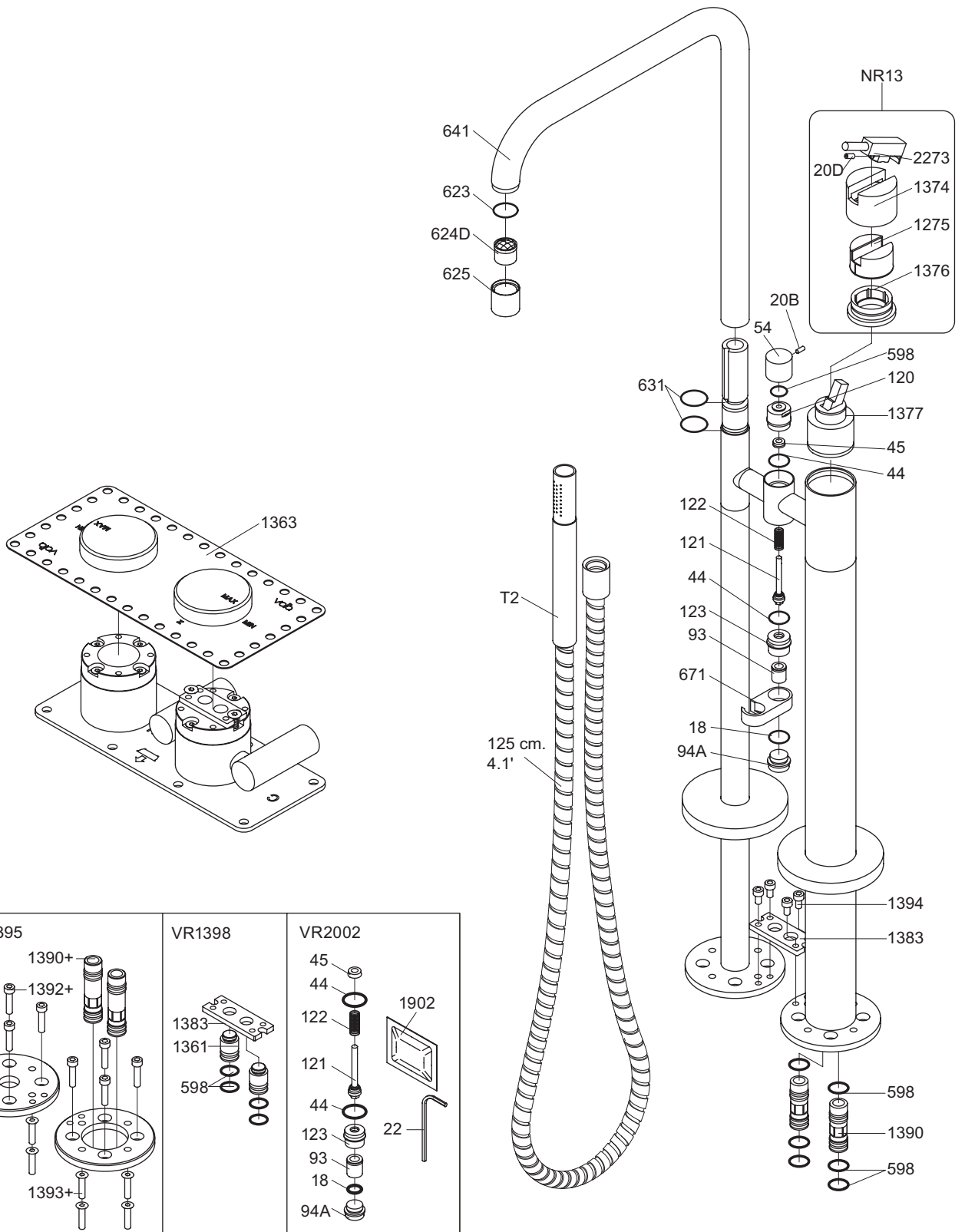
Extension  
Verlängerung  
Forlængelse

X:	
3 - 15 mm 2/16" - 9/16"	Standard
15 - 25 mm 9/16" - 1"	VR1395+15
25 - 35 mm 1" - 1 3/8"	VR1395+30

VR1395

Standard:





- NR13: VR20D, VR1275, VR1374, VR1376, VR2273  
 VR010D: VR623, VR624D  
 VR1395: 6xVR598, 2xVR1390+, 8xVR1392+, 8xVR1393+  
 VR1398: 4xVR598, 2xVR1361, VR1383, 4xVR1394  
 VR2002: VR18, VR22, 2xVR44, VR45, VR93, VR94A, VR121, VR122, VR123, VR1902



**vola**  
 Lunavej 2  
 DK-8700 Horsens  
 Tlf : + 45 7023 5500  
 sales@vola.com  
 www.vola.com

# VOLA FS1

Date  
 Nov. 11

Rev.  
 2

Sheet  
 SB53