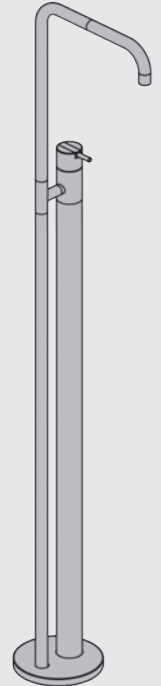


VOLA FS2

Fitting instruction
Montageanleitung
Monteringsvejledning

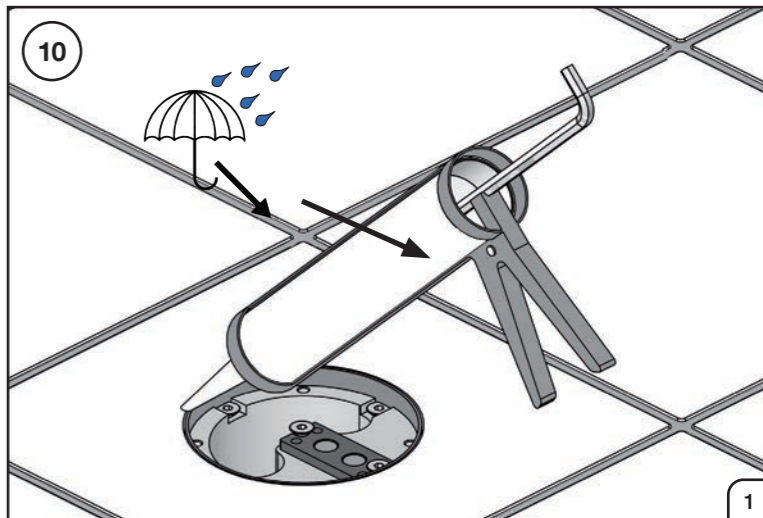
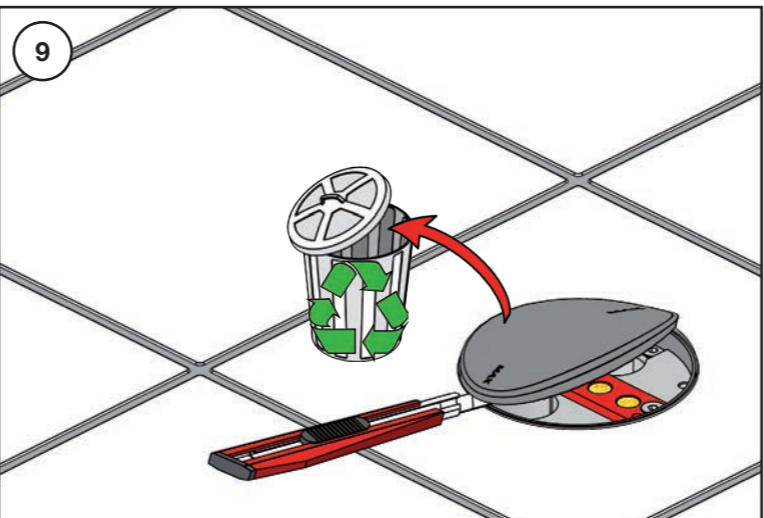
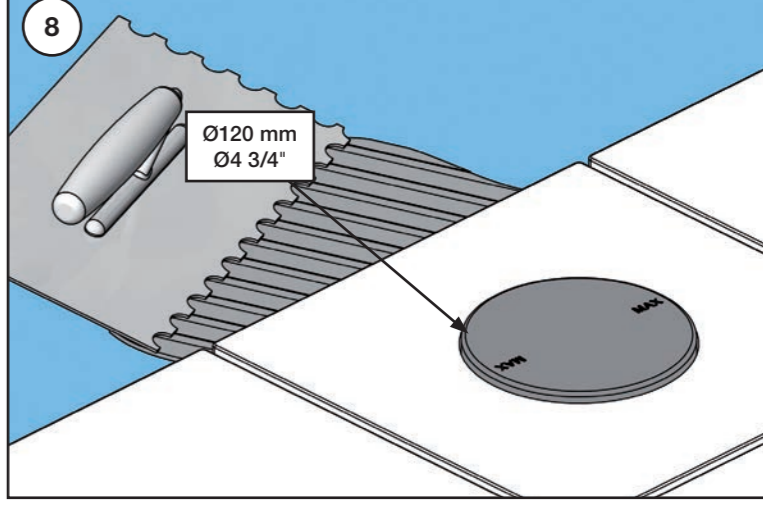
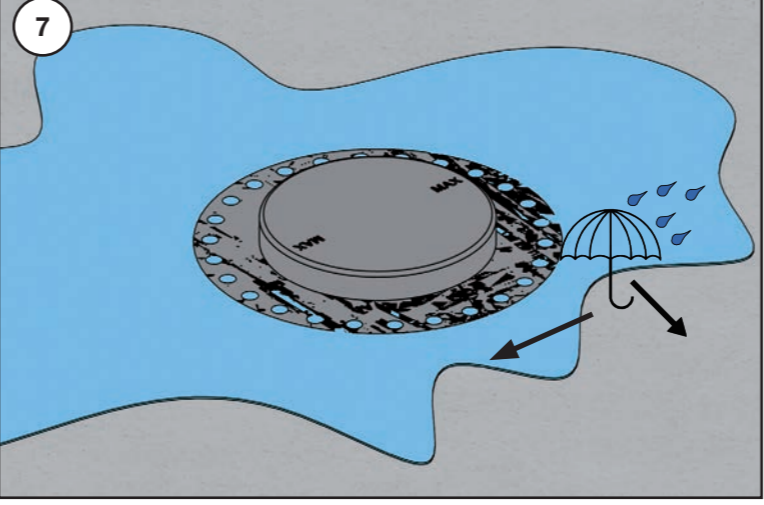
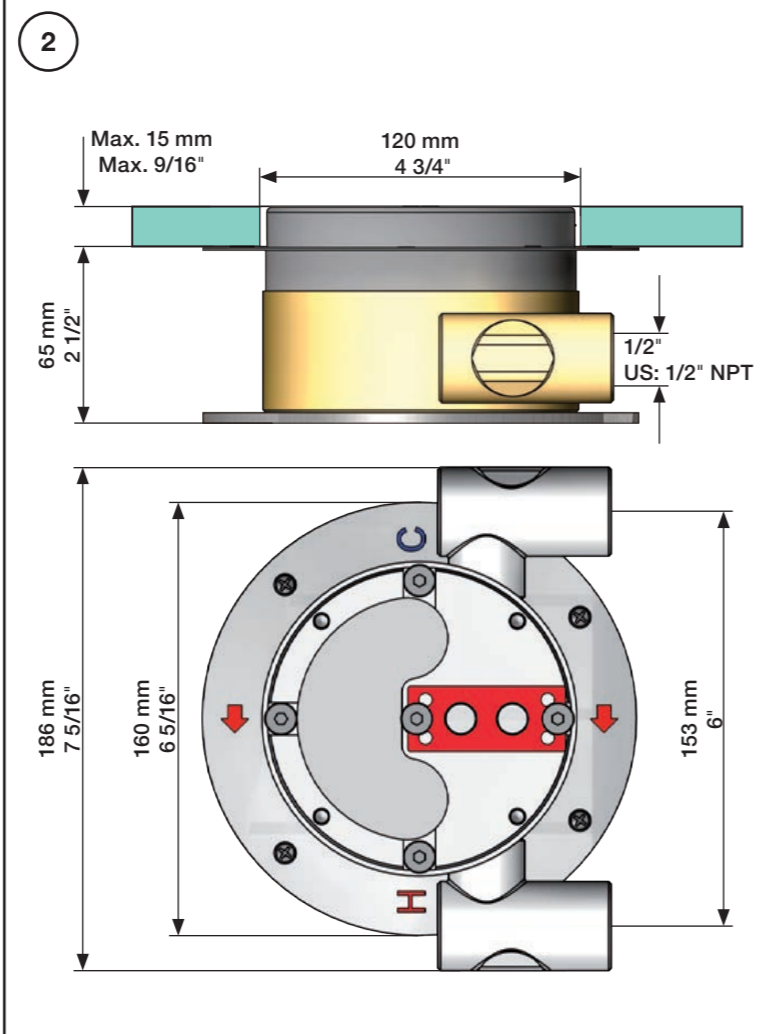
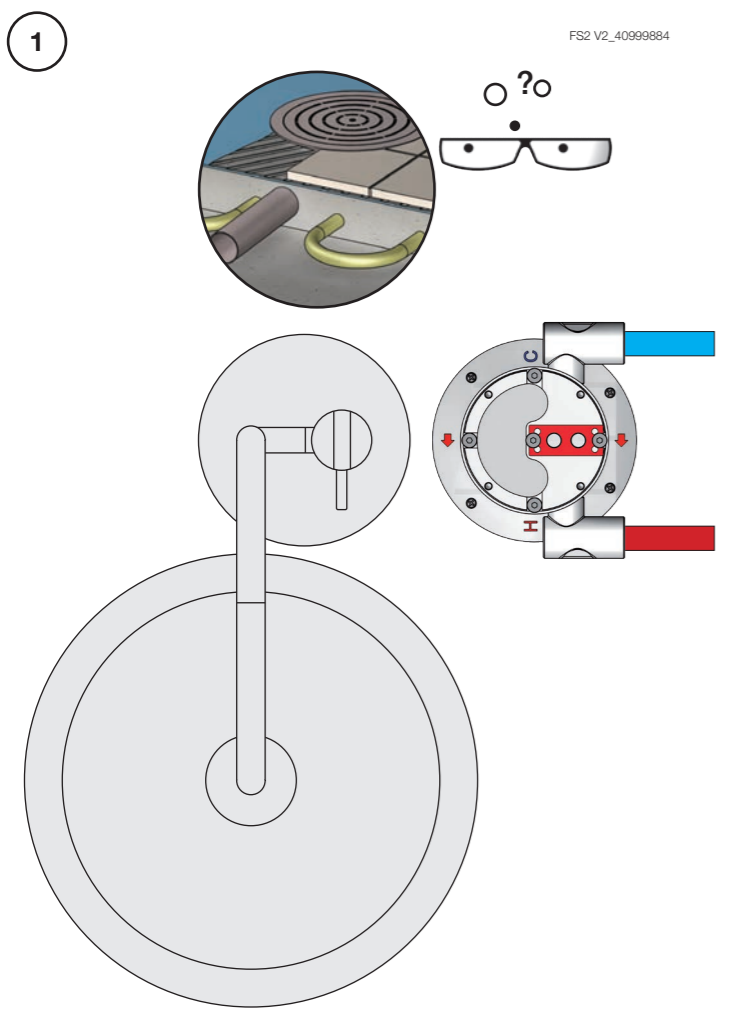
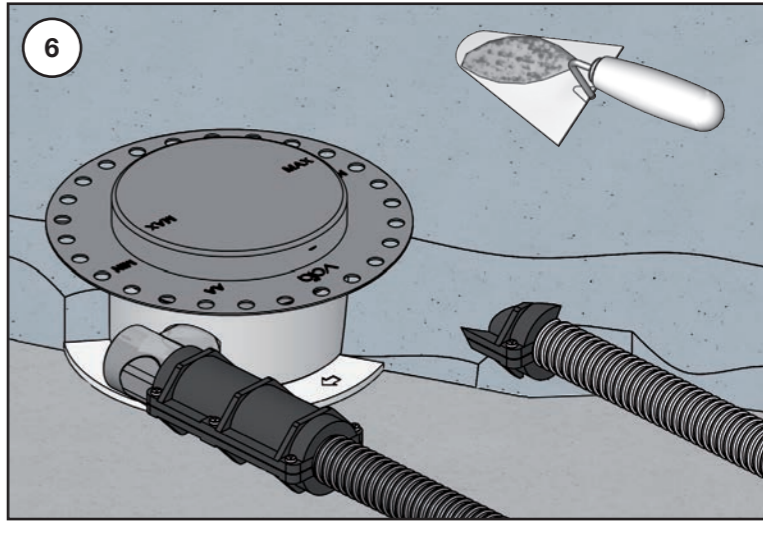
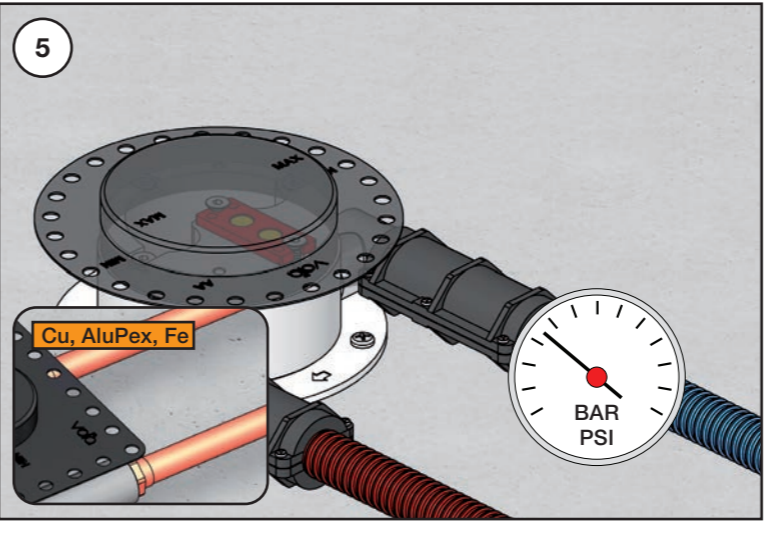
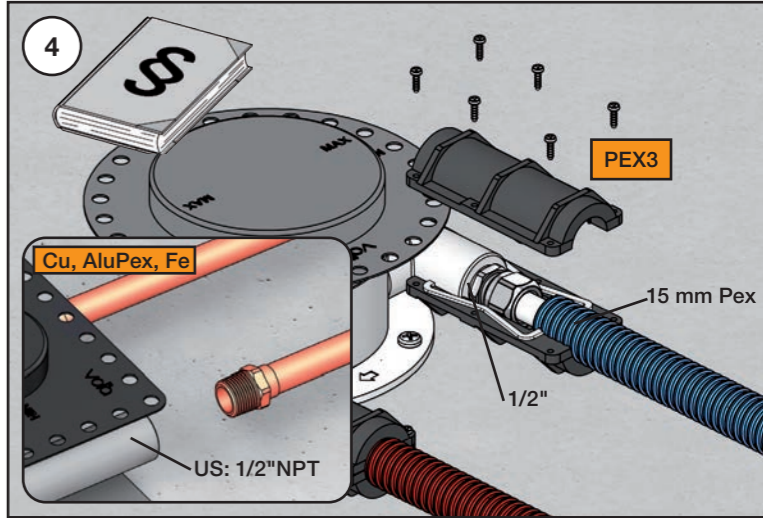
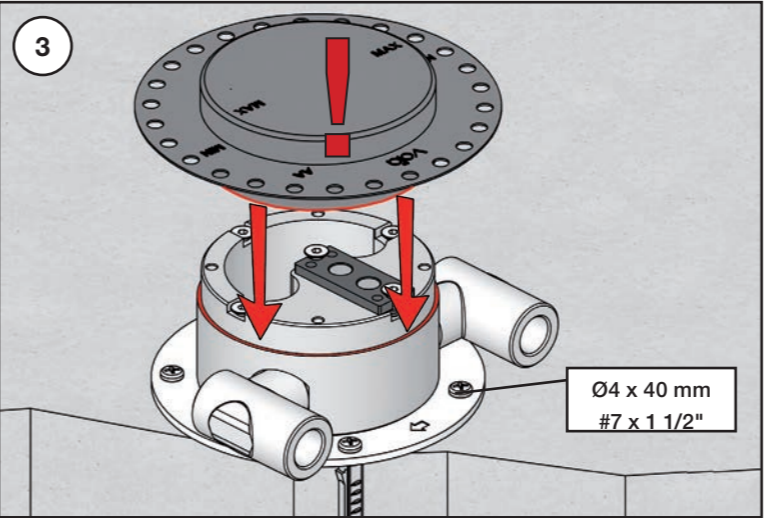
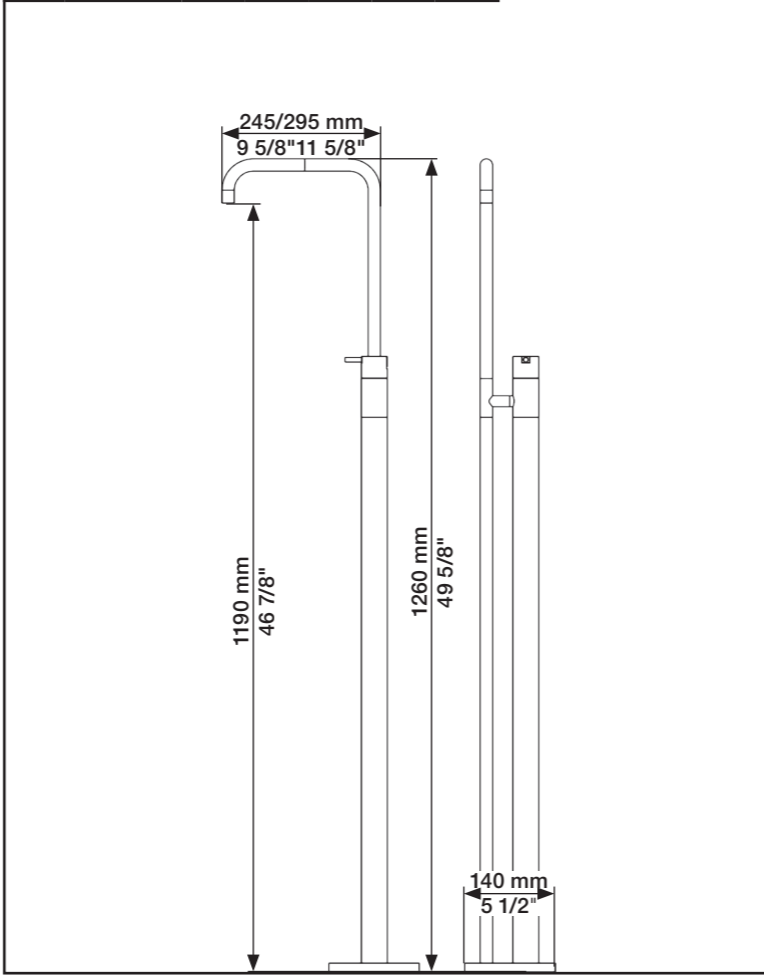
Monteringsvægledning
Montage hanledning
Manuel de montage

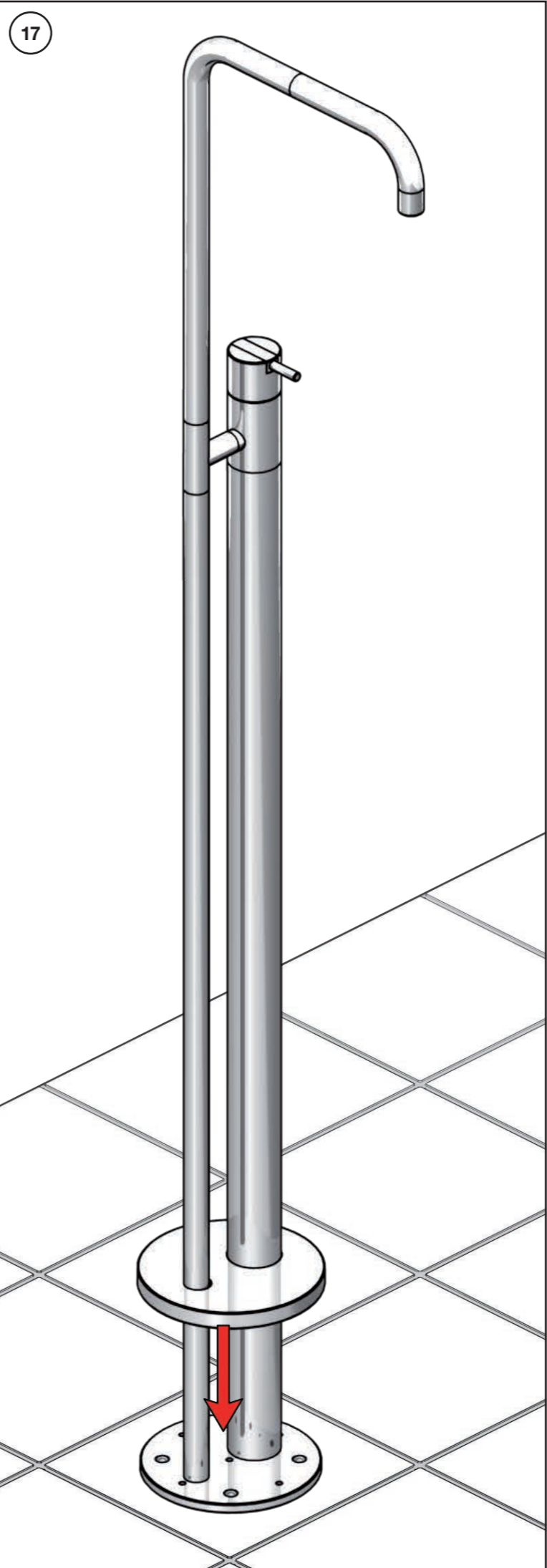
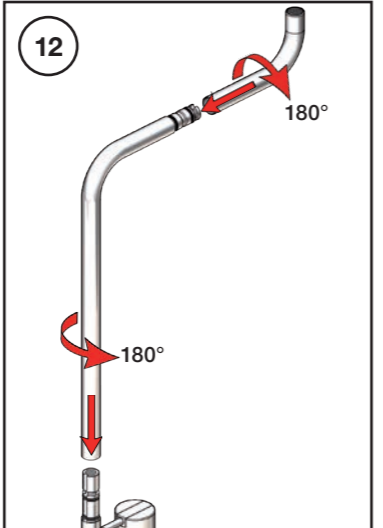
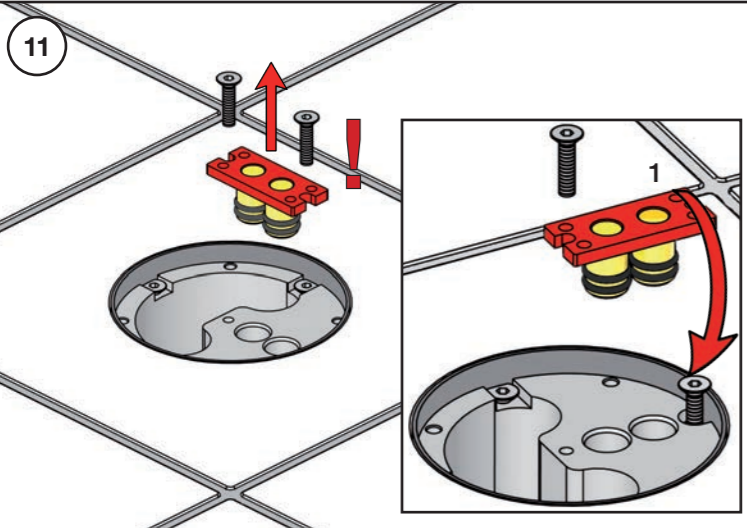


www.vola.com
FS2_V3 40999884
21-10-2014
5 703182 042220

Bar:	1	2	3	4	5
FS2 (l/min)	5.0	5.0	5.0	5.0	5.0
(Gal/min)	1.3	1.3	1.3	1.3	1.3

Max. 65°C, 150°F
Max. 10 Bar/145 Psi





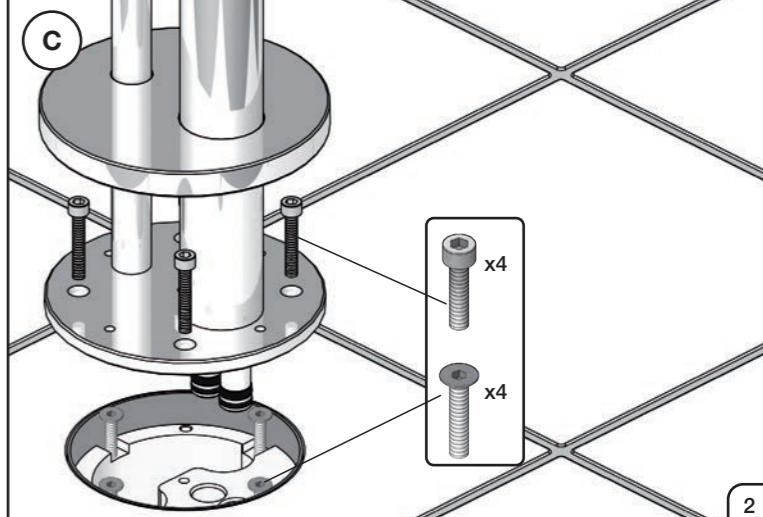
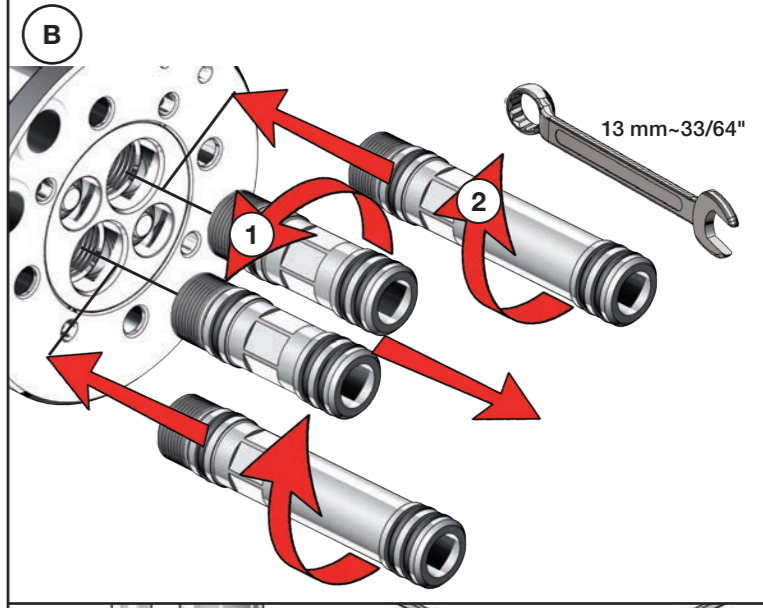
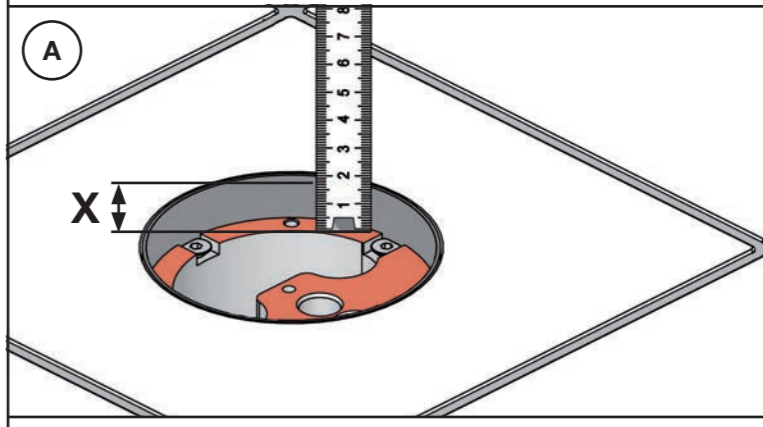
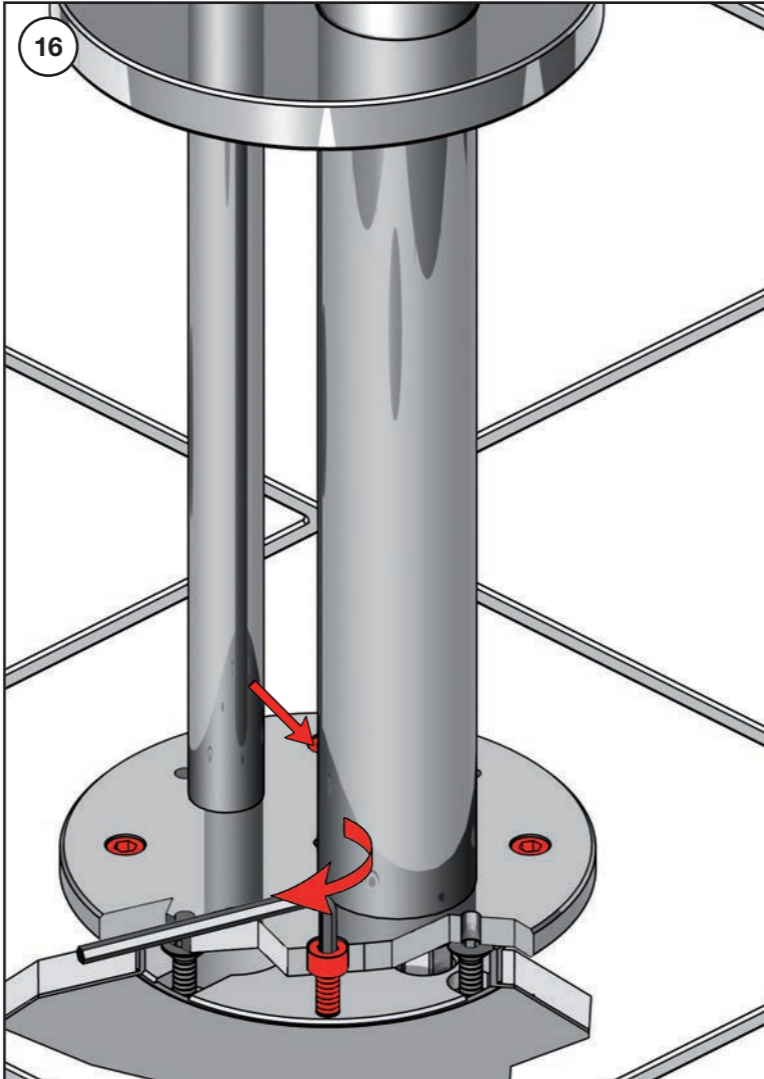
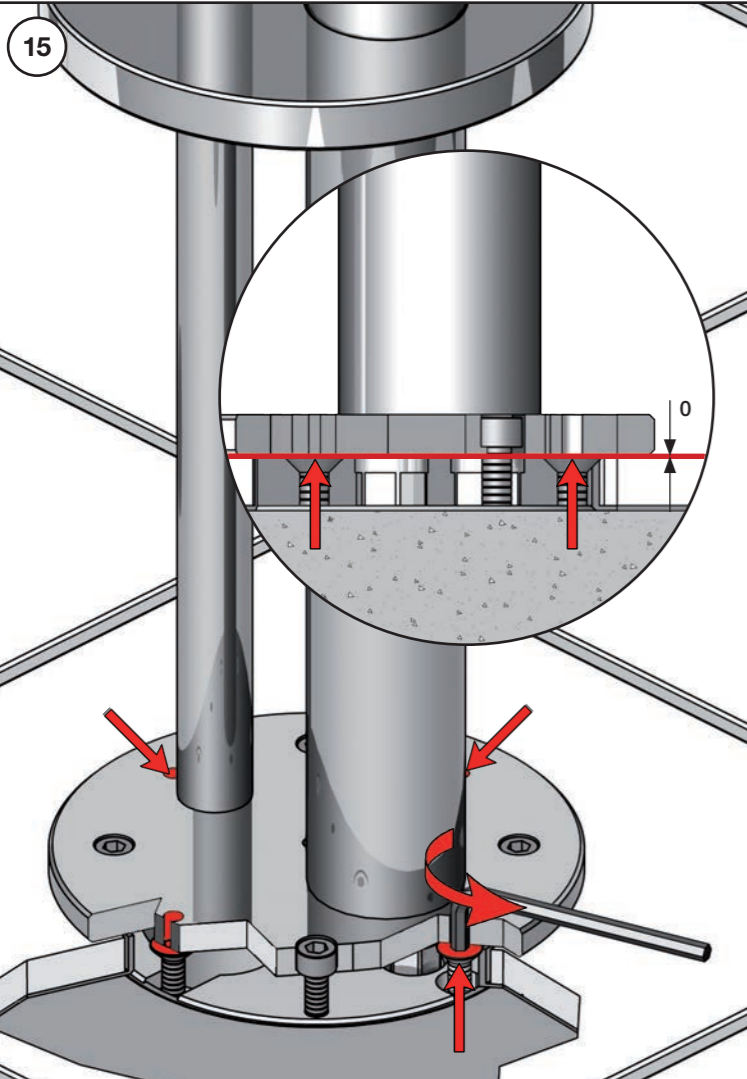
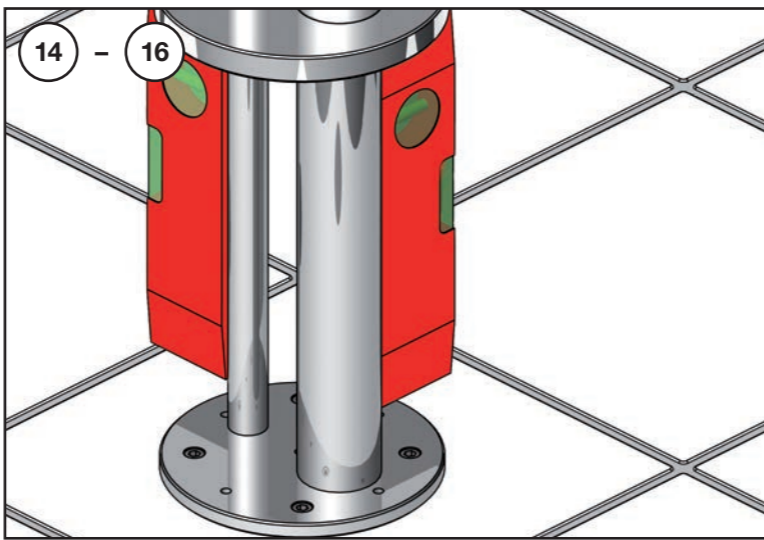
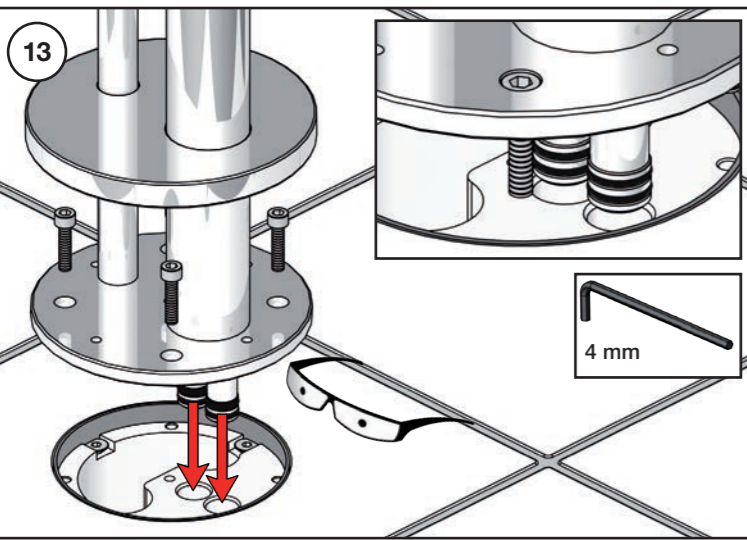
Extension
Verlängerung
Forlængelse

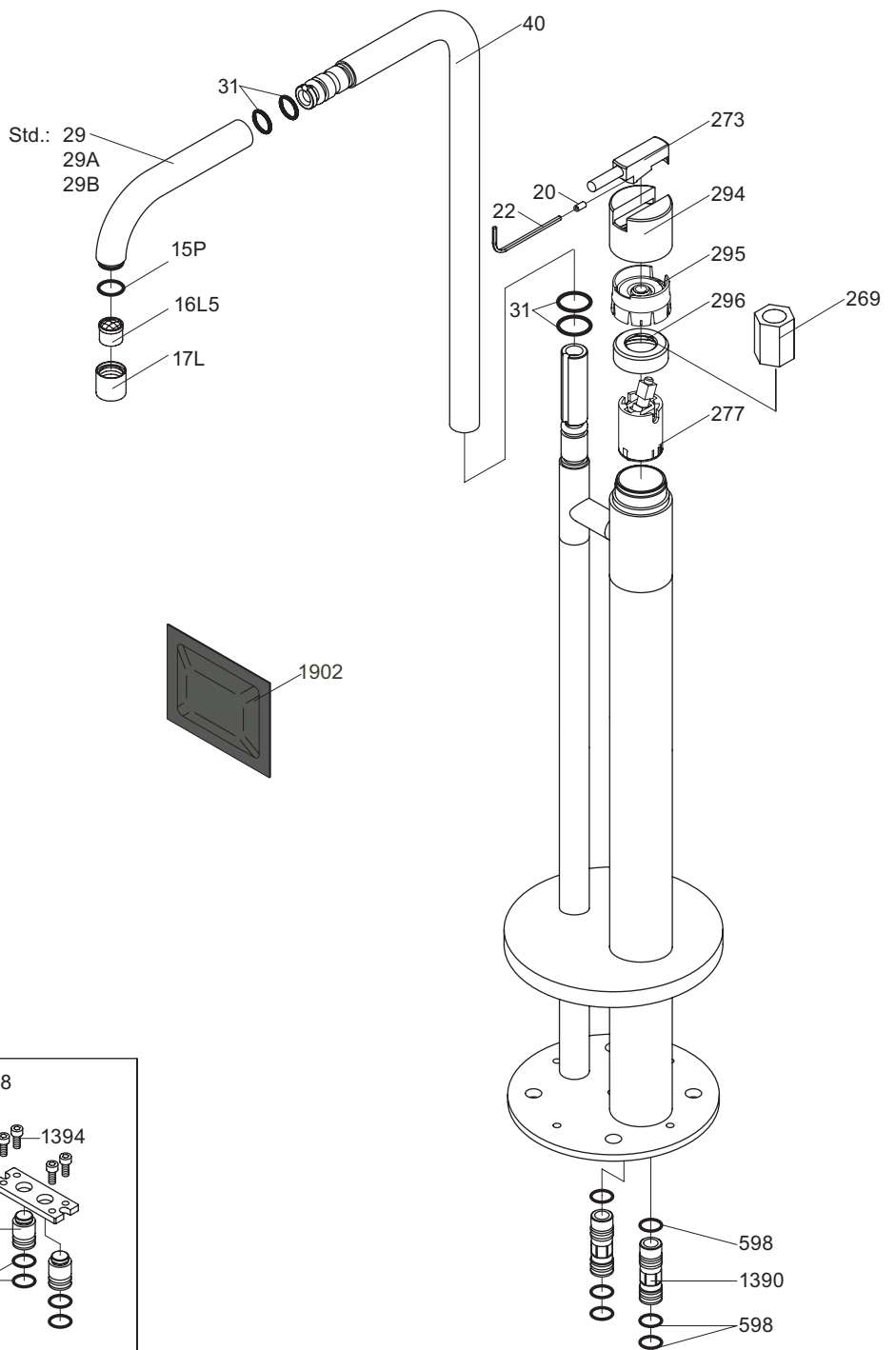
Förlängning
Verlængstücken
Modification

X:	A
3 - 15 mm 2/16" - 9/16"	Standard
15 - 25 mm 9/16" - 1"	VR1396+15
25 - 35 mm 1" - 1 3/8"	VR1396+30

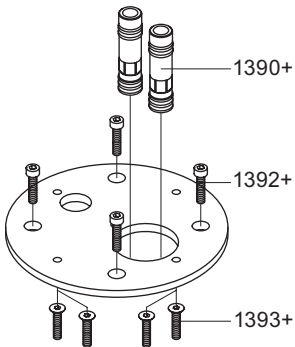
Standard:

VR1396

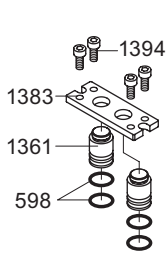




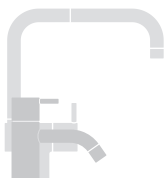
VR 1396



VR1398



- VR090: VR15P, VR16L5, 4xVR31, VR1902
 VR277K: VR22, VR269, VR277
 VR297: VR20, VR22, VR269, VR273, VR277, VR294, VR295, VR296
 VR1396: 6xVR598, 2xVR1390+, 4xVR1392+, 4xVR1393+
 VR1398: 4xVR598, 2xVR1361, VR1383, 4xVR1394
 NR.10: VR20, VR22, VR273, VR294, VR295



vola

Lunavej 2
 DK-8700 Horsens
 Tlf : + 45 7023 5500
 sales@vola.com
 www.vola.com

VOLA FS2

Date
 Mar. 11

Rev.
 1

Sheet
SB53.1