

HEAVEN BATH - Fixed screen

CHARACTERISTICS

- Tempered glass Standard EN- 12150 8 mm
- Aluminum profile in gloss silver finish
- Reversible.
- Anti-lime treatment included
- Fixing tensor from fixed to wall included

Ultra-Protect



CERTIFIED
BY TÜV
NORMA
EN-14428

DO NOT USE
ABRASIVE
PRODUCTS

Finish



Transparent



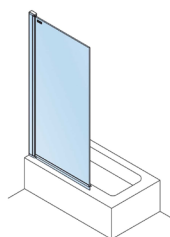
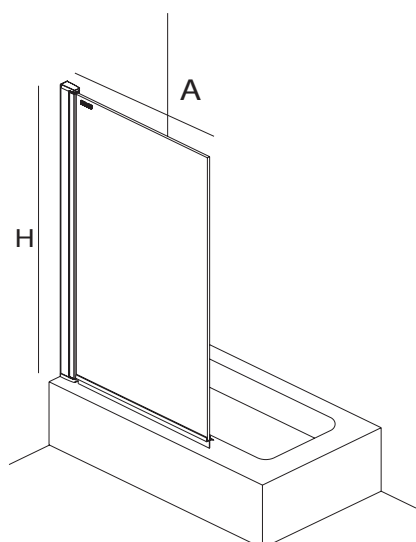
ROAD
serigraph



Dimensions

Dimensions and packaging weight according to measurement in mm.

Dimensions (A)	Width mm.	Depth mm.	Hight mm.	Peso bruto Kg.	Peso neto Kg.	Nº of packaging
<400	500	105	1630	14,02	13,16	1
400 - 800	900	105	1630	26,87	25,16	1
800 - 1000	1100	105	1630	33,3	31,16	1



Hight (H): 1500 mm.