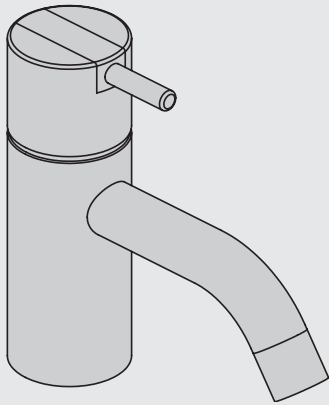


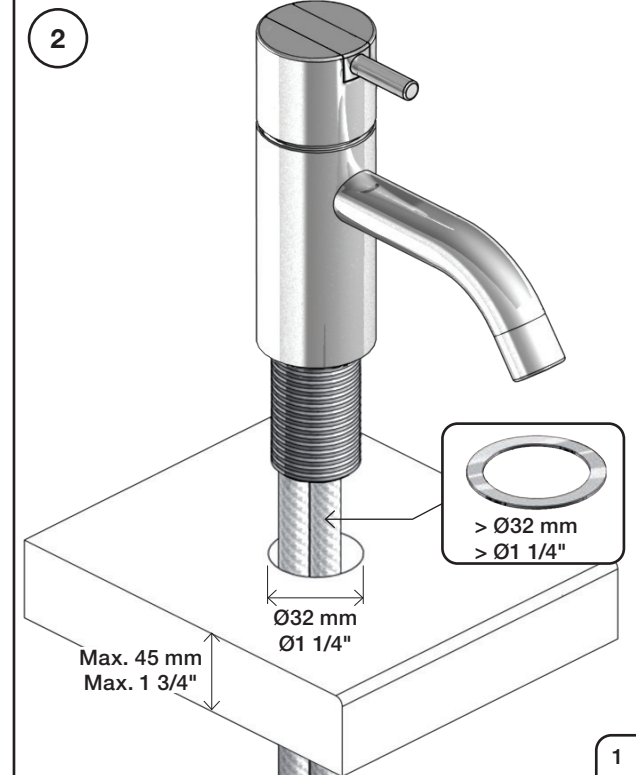
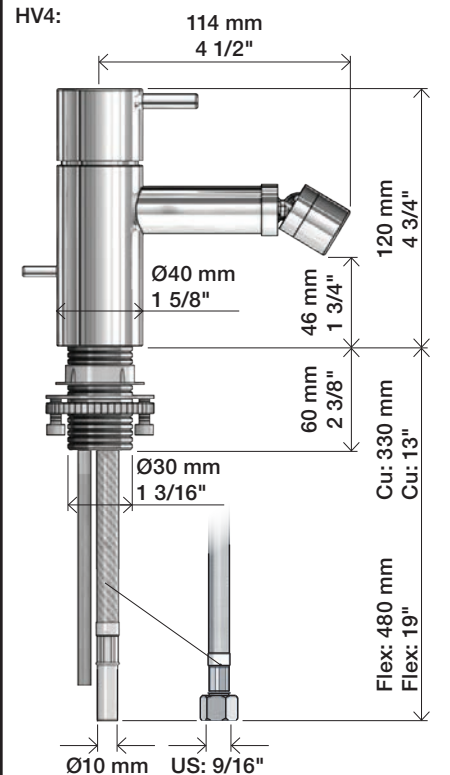
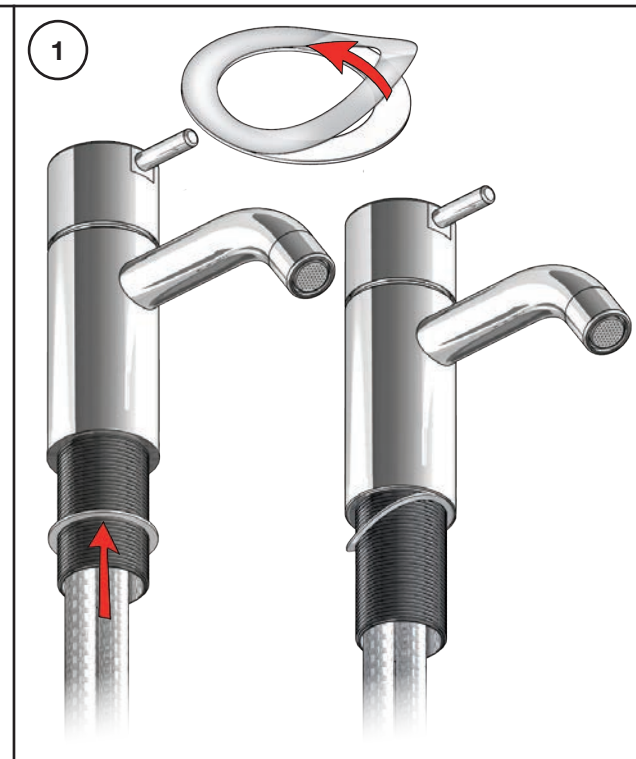
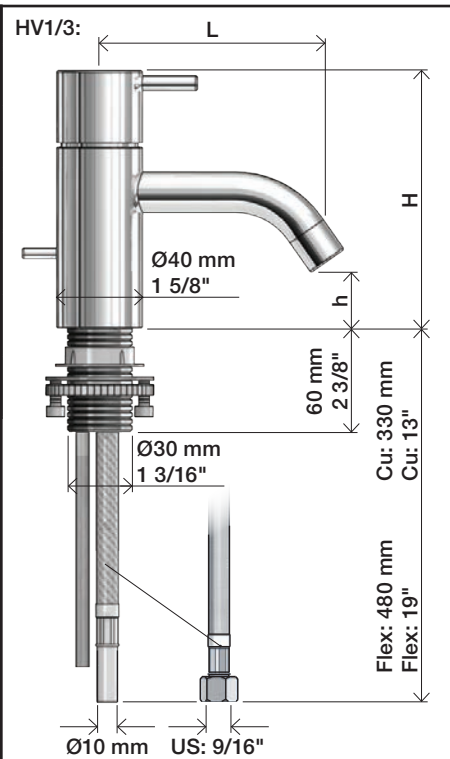
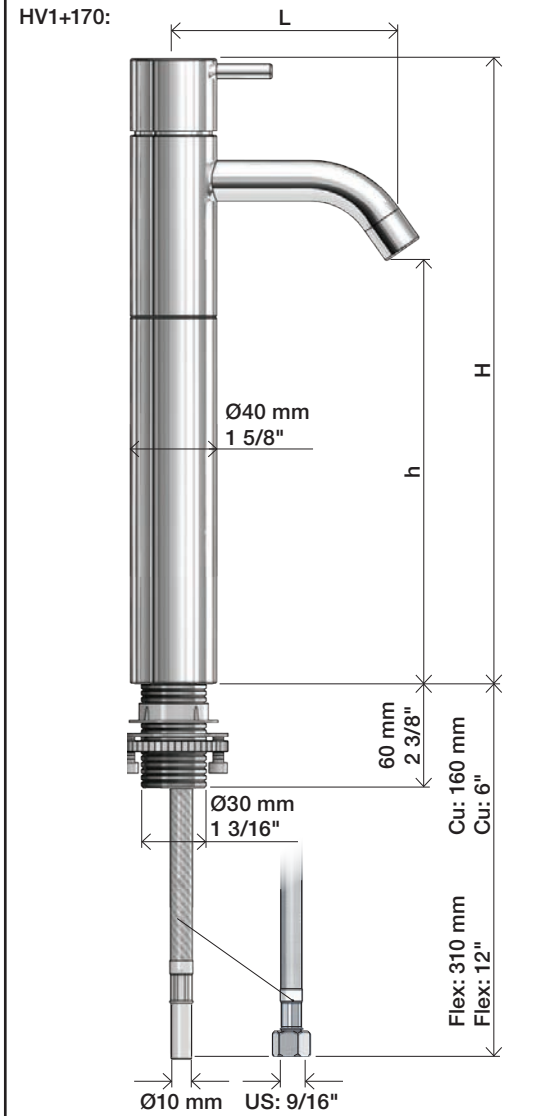
VOLA HV1, HV3, HV4

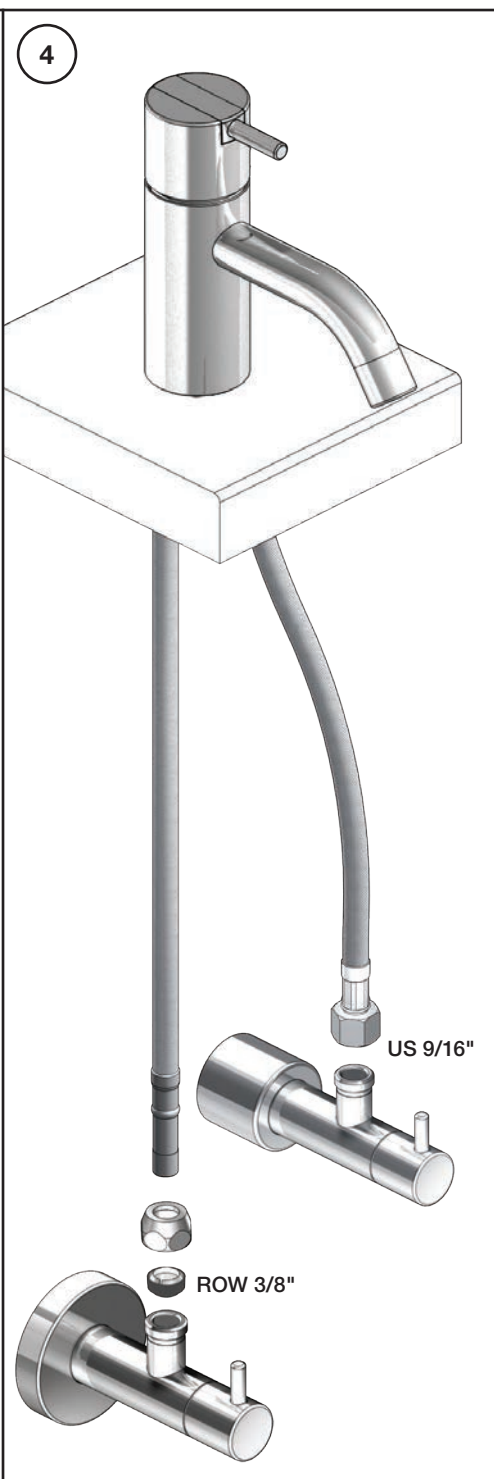
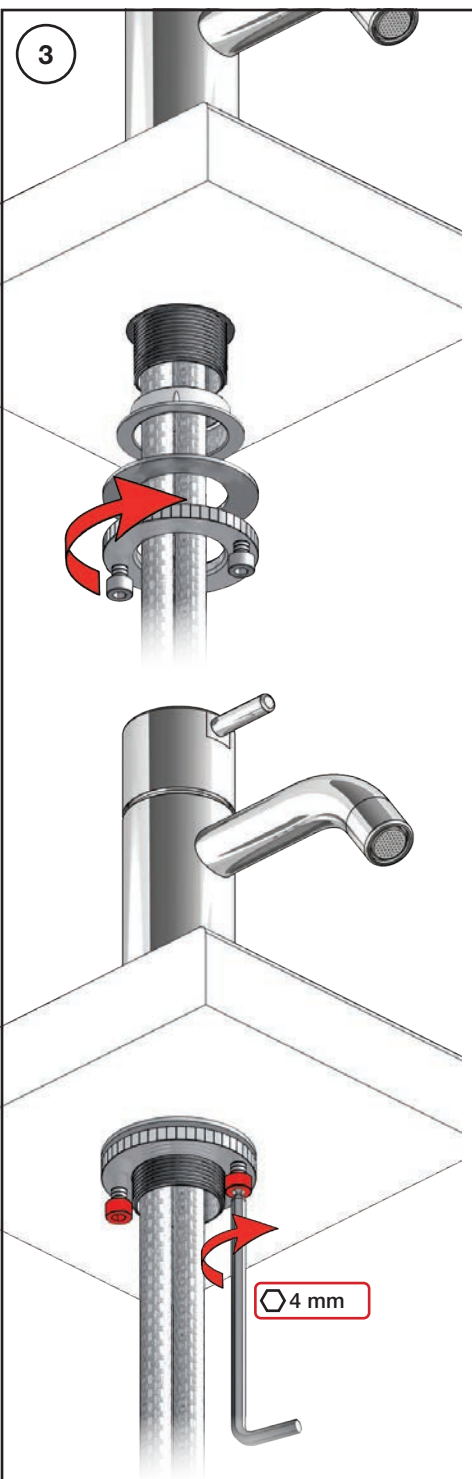
Fitting instruction
 Montageanleitung
 Monteringsvejledning
 Monteringsvægledning
 Montage hanleiding
 Manuel de montage

 GODKENDT
 TIL DRILLEKENDVAND
 HV1, HV3:
 04/00020
 04/00028



HV1, HV3	L	H	h
Std.:	114 mm 4 1/2"	120 mm 4 3/4"	27 mm 1"
+30:	114 mm 4 1/2"	150 mm 6"	56 mm 2 1/4"
/150:	150 mm 6"	120 mm 4 3/4"	27 mm 1"
+30/150:	150 mm 6"	150 mm 6"	56 mm 2 1/4"
+170:	114 mm 4 1/2"	290 mm 11 1/2"	197 mm 7 3/4"
+170/150:	150 mm 6"	290 mm 11 1/2"	197 mm 7 3/4"





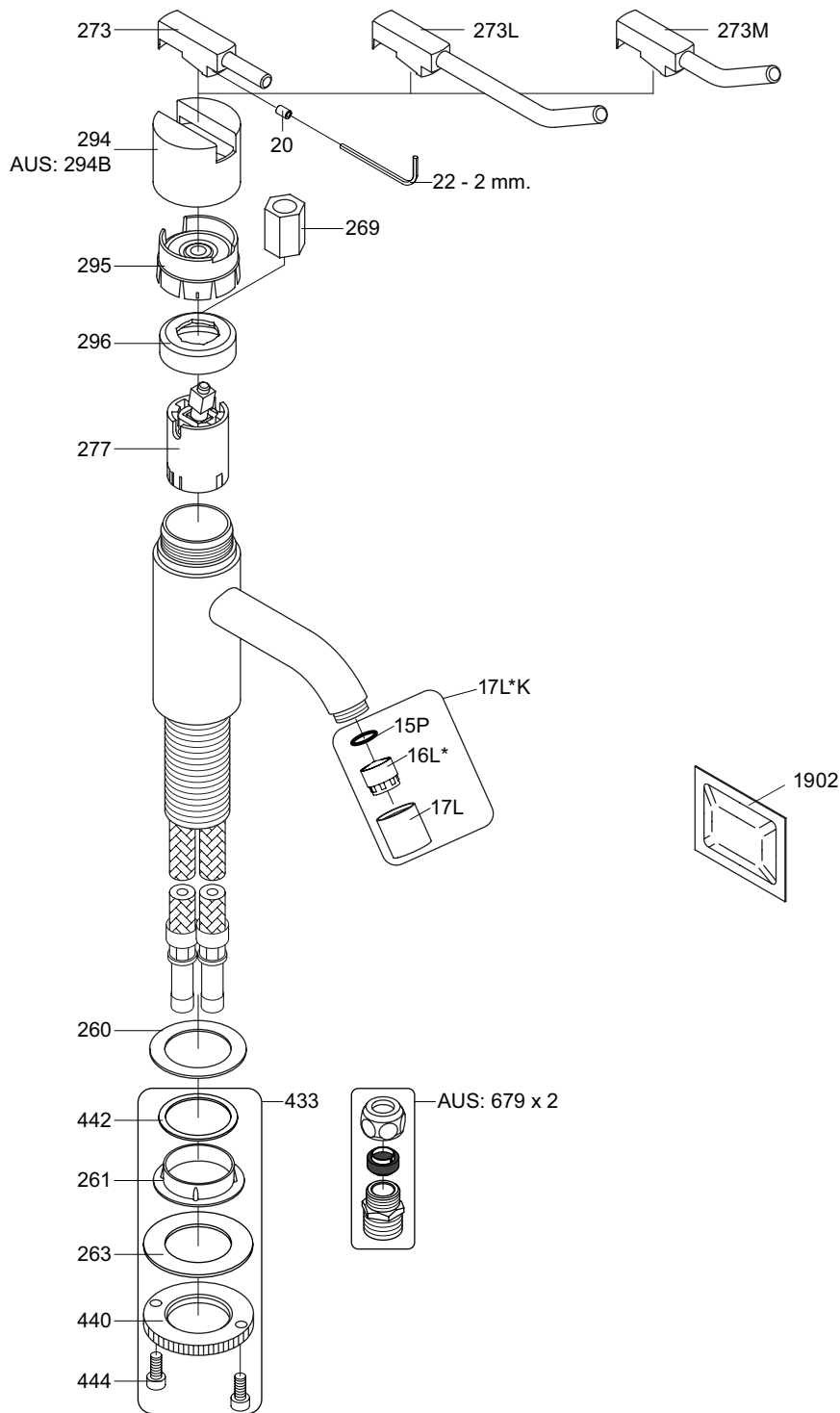
5

Data, 3 Bar/43.5 Psi:

	Max.	l/min.	Gal/min.	Note.
	HV1/3:	5.0	1.3	Standard
	HV1/3:	4.5	1.2	Standard USA
	HV1/3:	9.0	1.8	Standard Japan
	HV4	9,0	1.8	

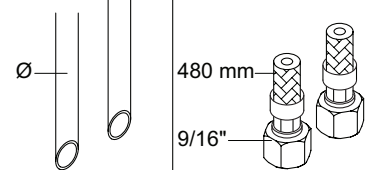
Max. 70°C, 158°F





HV1: Ø10
 HV1JP: Ø10
 HV1US: Ø3/8"
 HV1Q: Ø3/8"

HV1US:



- VR277K: VR22, VR269, VR277
- *VR17L4K: VR15P, VR16L4, VR17L (US-Standard)
- *VR17L5K: VR15P, VR16L5, VR17L (Standard)
- *VR17L9K: VR15P, VR16L9, VR17L (Japan Standard)
- *VR17LSK: VR15P, VR16LS, VR17L
- VR297/L/M: VR20, VR22, VR269, VR273/L/M, VR277, VR294, VR295, VR296
- VR433: VR261, VR263, VR440, VR442, 2xVR444
- NR.10/L/M: VR20, VR22, VR273/L/M, VR294, VR295



vola
 Lunavej 2
 DK-8700 Horsens
 Tlf : + 45 7023 5500
 sales@vola.com
 www.vola.com

VOLA HV1

Date
 Okt. 16

Rev.
 6

Sheet
 SB 21.1