



Name: CLUB-T

Design: Luis Viñas / 2012

Typology: Table lamp

Environment: Indoor

Technical description:

Table lamp with internal iron structure, finished in satin nickel. The shade is black finished aluminum, with a white, B1 flame resistant PVC interior lining and exposed steel screws. Upper black aluminum diffuser is included with fixture. Lamp rests on iron swivel disk, allowing for 360° rotation, and electrical cord features a lamp holder switch, or a pull-string switch. Additional metal lamp shades may be ordered separately as needed. Only the fixture finishing and lamp shade color are customizable.



Lamps description

Earthing: excluded

Ready for mounting on normally flammable surface

1 x 42 W Classic P ECO E-27

1 x 11 W E-27

Voltage: 230V~50Hz

1 Box 62 x 62 x 27 cm

Vol.: 0,1038 m³

Weight: 4,5 kg

Certifications:

Ref Finishings

1932812 matte black-nickel

Black aluminum shade

White PVC interior B1 Flame Resistant

Included aluminum top difusor

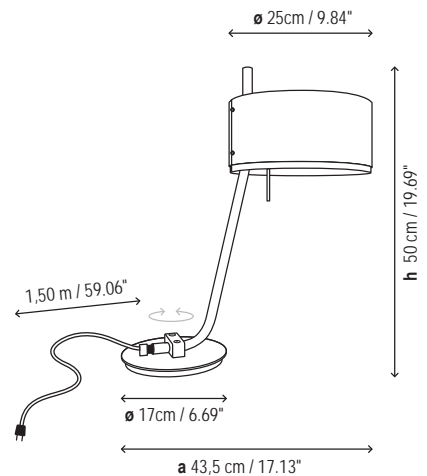
Swivel base

lampholder swicht

transparent wire

Not Customizable

Measures



Project information

Project name:	Approved by:
Fixture type:	Date:
Location:	Prepared by:
Comments:	Prepared for:

Photometrics