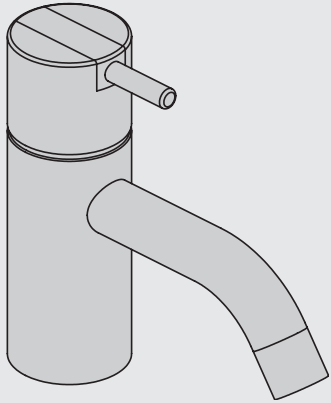


**VOLA HV1, HV3, HV4**

Fitting instruction  
 Montageanleitung  
 Monteringsvejledning  
 Monteringsvægledning  
 Montage hanleiding  
 Manuel de montage



HV1, HV3:  
 04/00020  
 04/00028

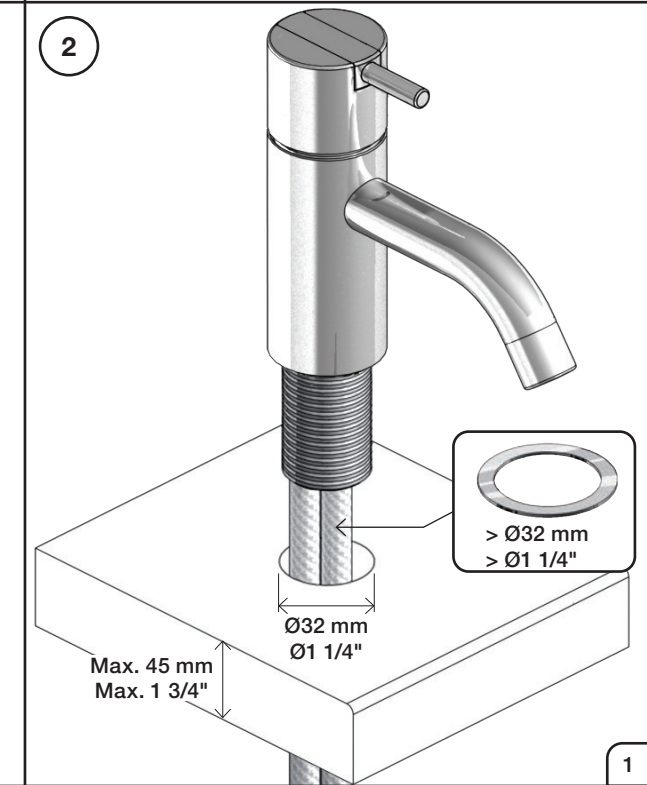
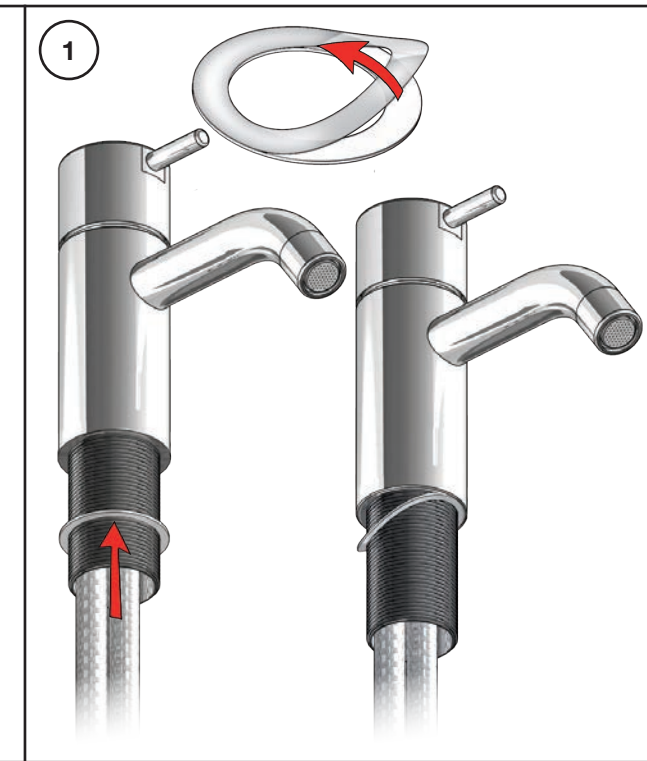
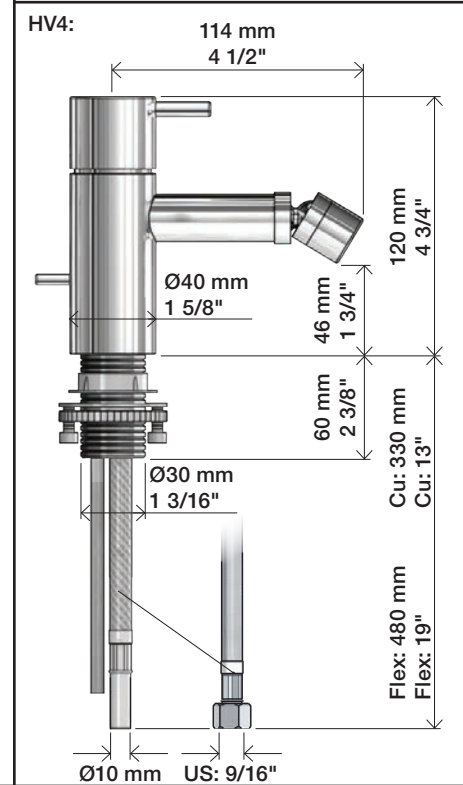
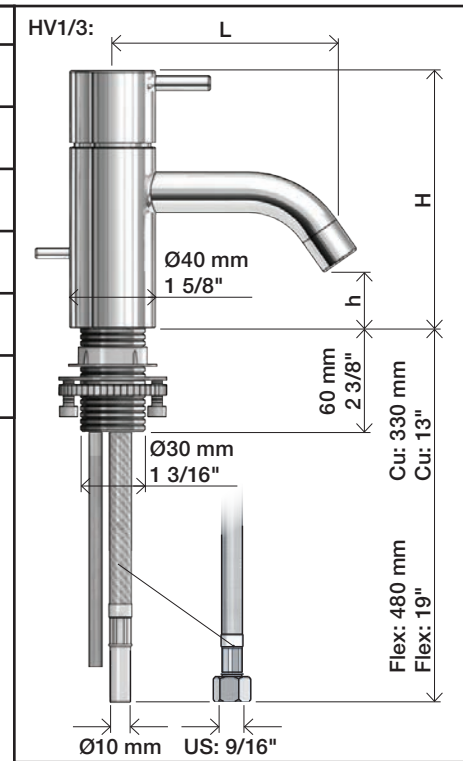
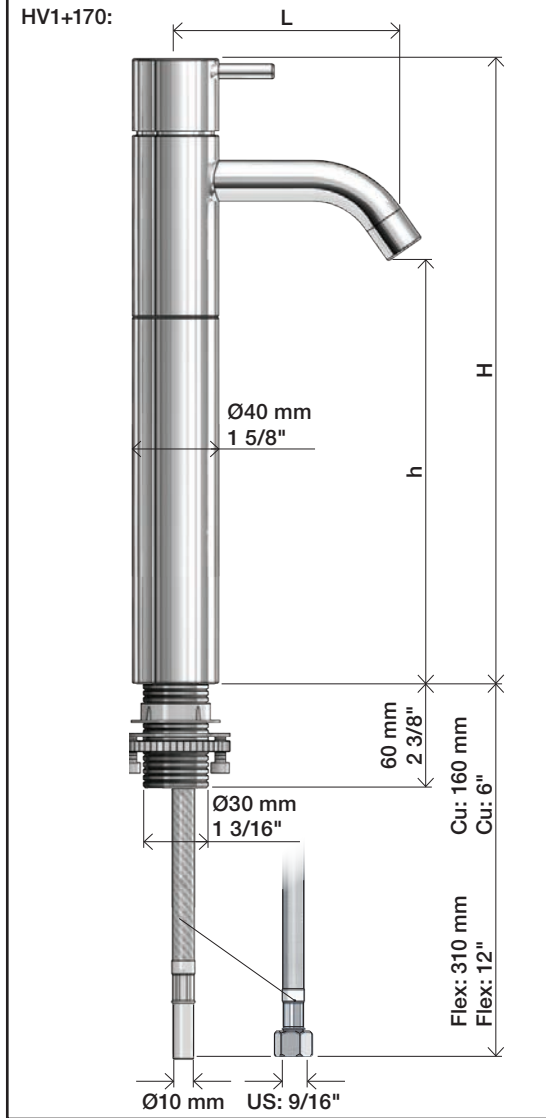


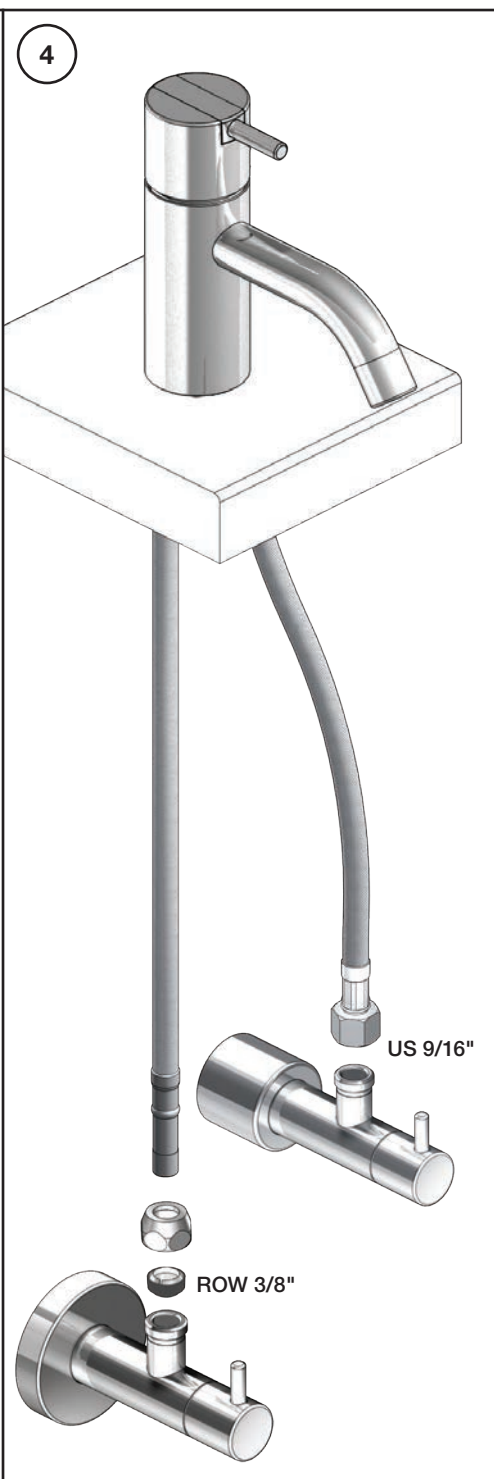
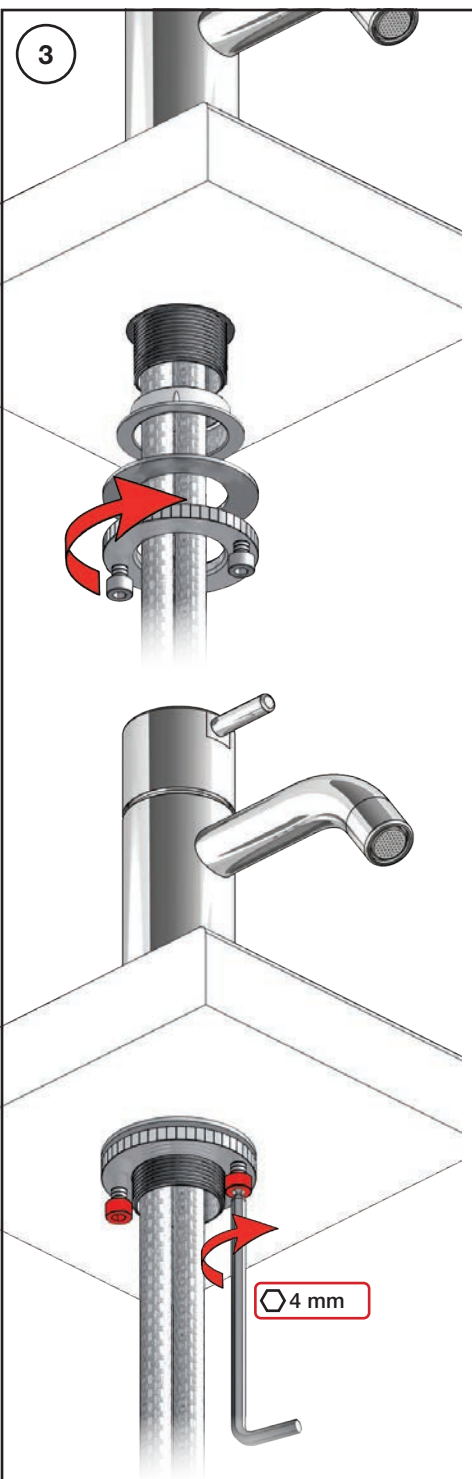
www.vola.com

HV1/HV3/HV4\_V4\_40999827



HV1, HV3	L	H	h
Std.:	114 mm 4 1/2"	120 mm 4 3/4"	27 mm 1"
+30:	114 mm 4 1/2"	150 mm 6"	56 mm 2 1/4"
/150:	150 mm 6"	120 mm 4 3/4"	27 mm 1"
+30/150:	150 mm 6"	150 mm 6"	56 mm 2 1/4"
+170:	114 mm 4 1/2"	290 mm 11 1/2"	197 mm 7 3/4"
+170/150:	150 mm 6"	290 mm 11 1/2"	197 mm 7 3/4"





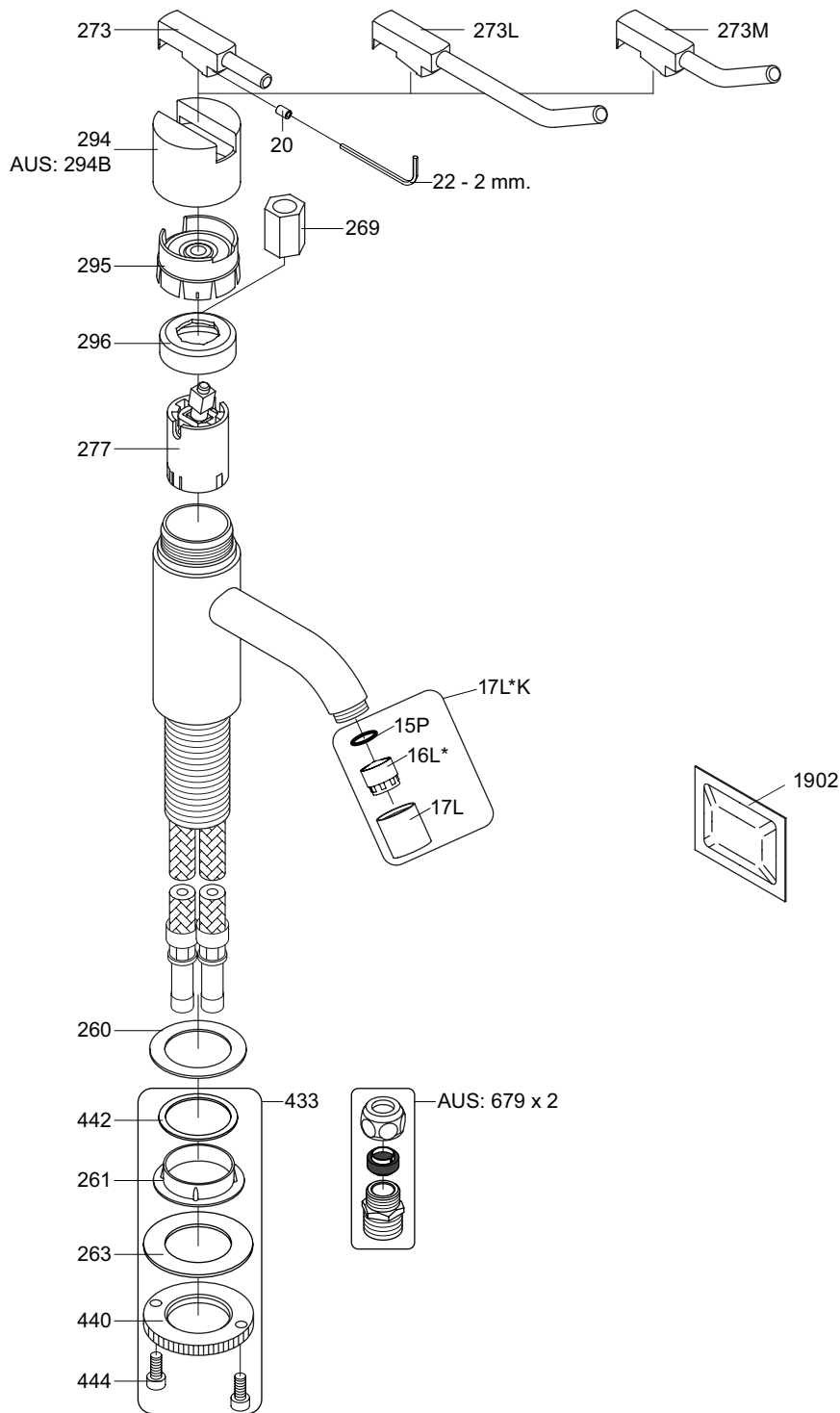
5

**Data, 3 Bar/43.5 Psi:**

	Max.	l/min.	Gal/min.	Note.
	HV1/3:	5.0	1.3	Standard
	HV1/3:	4.5	1.2	Standard USA
	HV1/3:	9.0	1.8	Standard Japan
	HV4	9,0	1.8	

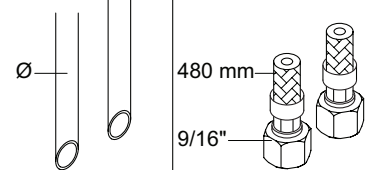
Max. 70°C, 158°F





HV1: Ø10  
 HV1JP: Ø10  
 HV1US: Ø3/8"  
 HV1Q: Ø3/8"

HV1US:



- |            |  |
|------------|--|
| VR277K:    | VR22, VR269, VR277                                       |
| *VR17L4K:  | VR15P, VR16L4, VR17L (US-Standard)                       |
| *VR17L5K:  | VR15P, VR16L5, VR17L (Standard)                          |
| *VR17L9K:  | VR15P, VR16L9, VR17L (Japan Standard)                    |
| *VR17LSK:  | VR15P, VR16LS, VR17L                                     |
| VR297/L/M: | VR20, VR22, VR269, VR273/L/M, VR277, VR294, VR295, VR296 |
| VR433:     | VR261, VR263, VR440, VR442, 2xVR444                      |
| NR.10/L/M: | VR20, VR22, VR273/L/M, VR294, VR295                      |



**vola**  
 Lunavej 2  
 DK-8700 Horsens  
 Tlf : + 45 7023 5500  
 sales@vola.com  
 www.vola.com

## VOLA HV1

Date  
 Okt. 16

Rev.  
 6

Sheet  
 SB 21.1