

E22C110



Collection: CONTRA

Finish*:



GA - Profils chromés

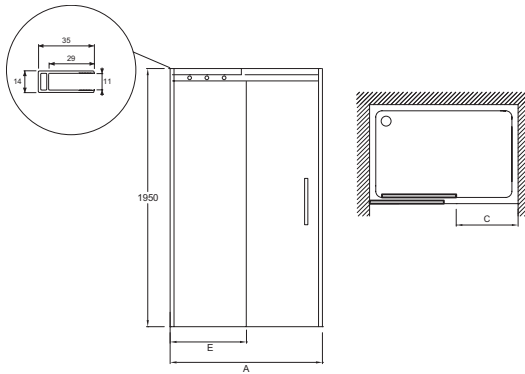
Main features:



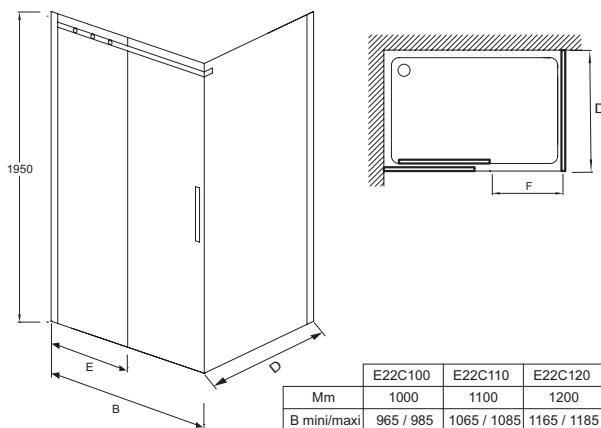
Features

- DIMENSIONS: 195 x 110 cm
- MATERIAL: Clear glass
- NORMS AND REGULATION: EN 14428
- MIN/MAX WIDTH WITH FIXED PANEL: 41
- GLASS THICKNESS IN MM: 8
- WEIGHT: 48 kg
- INSTALLATION TYPE: Alcove or corner
- MIN/MAX WIDTH WITH SINGLE DOOR: 43
- OPENING: 43
- PANEL HEIGHT IN CM: 195

Technical drawing



| | E22C100 | E22C110 | E22C120 | E22C130 | E22C140 | E22C150 | E22C160 | E22C170 | E22C180 |
|-------------|------------|-------------|-------------|-------------|-------------|-------------|-------------|-------------|-------------|
| Mm | 1000 | 1100 | 1200 | 1300 | 1400 | 1500 | 1600 | 1700 | 1800 |
| A mini/maxi | 975 / 1005 | 1075 / 1105 | 1175 / 1205 | 1275 / 1305 | 1375 / 1405 | 1475 / 1505 | 1575 / 1605 | 1675 / 1705 | 1775 / 1805 |
| C | 380 | 430 | 440 | 530 | 540 | 580 | 640 | 640 | 680 |
| E | 488 | 538 | 588 | 638 | 688 | 788 | 788 | 888 | 988 |



| | E22C100 | E22C110 | E22C120 | E22C130 | E22C140 | E22C150 | E22C160 | E22C170 | E22C180 |
|-------------|-----------|-------------|-------------|-------------|-------------|-------------|-------------|-------------|-------------|
| Mm | 1000 | 1100 | 1200 | 1300 | 1400 | 1500 | 1600 | 1700 | 1800 |
| B mini/maxi | 965 / 985 | 1065 / 1085 | 1165 / 1185 | 1265 / 1285 | 1365 / 1385 | 1465 / 1485 | 1565 / 1585 | 1665 / 1685 | 1765 / 1785 |
| F | 360 | 410 | 420 | 510 | 520 | 560 | 620 | 620 | 660 |
| E | 488 | 538 | 588 | 638 | 688 | 788 | 788 | 888 | 988 |

Product Specification: Sliding door 110 cm. E22C110. Collection: CONTRA. DIMENSIONS: 195 x 110 cm. WEIGHT: 48 kg. MATERIAL: Clear glass. INSTALLATION TYPE: Alcove or corner. NORMS AND REGULATION: EN 14428. MIN/MAX WIDTH WITH SINGLE DOOR: 43. MIN/MAX WIDTH WITH FIXED PANEL: 41. OPENING: 43. GLASS THICKNESS IN MM: 8. PANEL HEIGHT IN CM: 195.

*Due to possible variations in computer and printer calibrations, technical factors and certain finish characteristics, the colors you see may not accurately portray the actual colors and are provided as a guide only.