

E22T71



Collection: CONTRA

Finish*:



GA - Profiles
chromés

Main features:



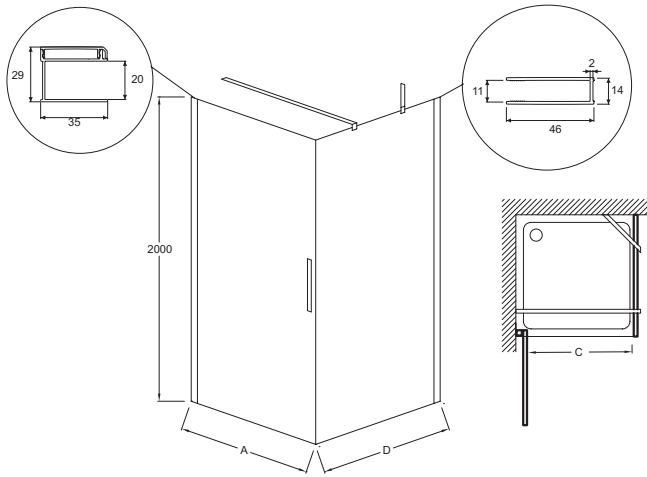
Features

- DIMENSIONS: 200 x 70 cm
- MATERIAL: Clear glass
- NORMS AND REGULATION: EN 14428
- MIN/MAX WIDTH WITH FIXED PANEL: 69
- GLASS THICKNESS IN MM: 6
- WEIGHT: 26 kg
- INSTALLATION TYPE: Corner
- MIN/MAX WIDTH: 40
- OPENING: 59
- PANEL HEIGHT IN CM: 200

Optional products

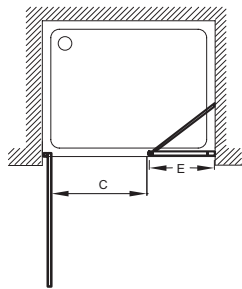
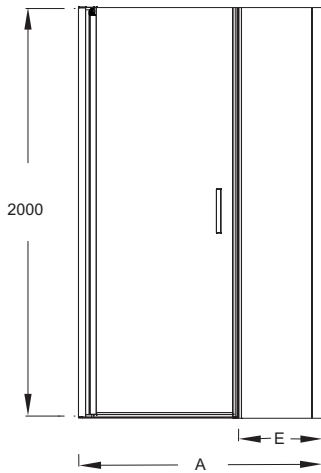
- E22000: Extension profile

Product Specification: Pivot door 70 cm, corner installation. E22T71. Collection: CONTRA. DIMENSIONS: 200 x 70 cm. WEIGHT: 26 kg. MATERIAL: Clear glass. INSTALLATION TYPE: Corner. NORMS AND REGULATION: EN 14428. MIN/MAX WIDTH: 40. MIN/MAX WIDTH WITH FIXED PANEL: 69. OPENING: 59. GLASS THICKNESS IN MM: 6. PANEL HEIGHT IN CM: 200.

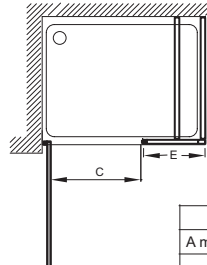
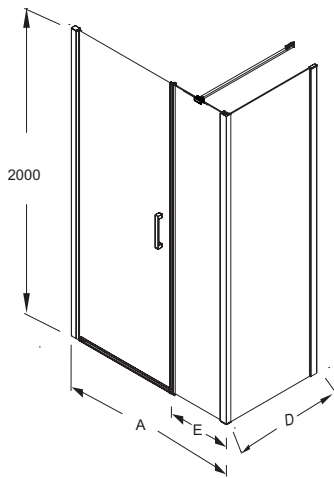


	E22T71	E22T81	E22T91
Mm	700	800	900
A mini/maxi	664 / 682	764 / 782	864 / 882
C	590	690	790

	E22FT70	E22FT80	E22FT90	E22FT100
Mm	700	800	900	1000
D mini/maxi	660 / 680	760 / 780	860 / 880	960 / 980



	E22T71+E22L40	E22T81+E22L40	E22T91+E22L40
Mm	1100	1200	1300
A mini/maxi	1064 / 1100	1164 / 1200	1264 / 1300
C	590	690	790
E	400	400	400



	E22T71+E22L40	E22T81+E22L40	E22T91+E22L40
Mm	1100	1200	1300
A mini/maxi	1064 / 1100	1164 / 1200	1264 / 1300
C	590	690	790
E	400	400	400

	E22FT70	E22FT80	E22FT90	E22FT100
Mm	700	800	900	1000
D mini/maxi	660 / 680	760 / 780	860 / 880	960 / 980

Product Specification: Pivot door 70 cm, corner installation. E22T71. Collection: CONTRA. DIMENSIONS: 200 x 70 cm. WEIGHT: 26 kg. MATERIAL: Clear glass. INSTALLATION TYPE: Corner. NORMS AND REGULATION: EN 14428. MIN/MAX WIDTH: 40. MIN/MAX WIDTH WITH FIXED PANEL: 69. OPENING: 59. GLASS THICKNESS IN MM: 6. PANEL HEIGHT IN CM: 200.