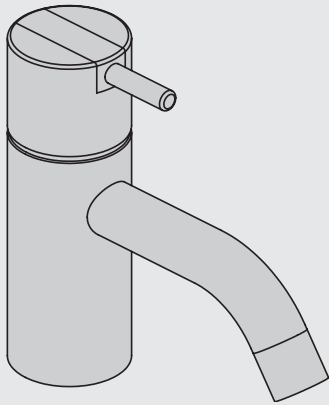


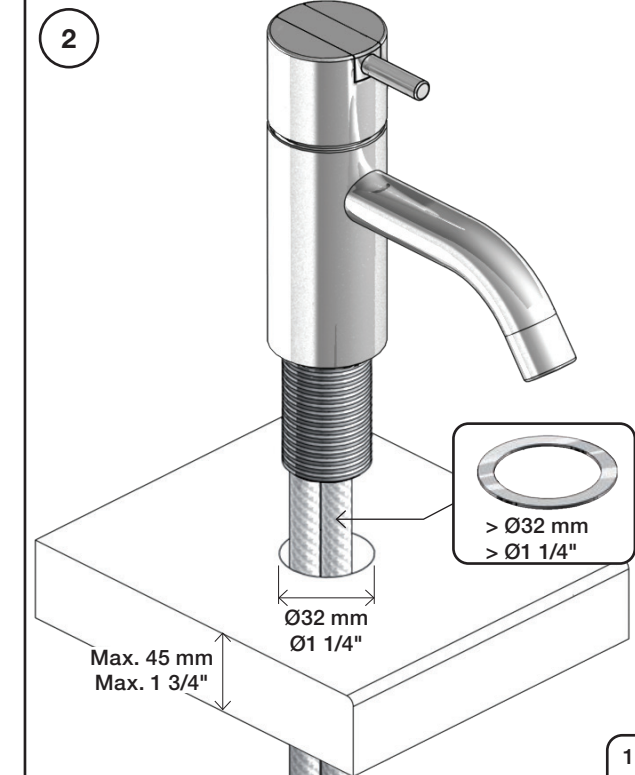
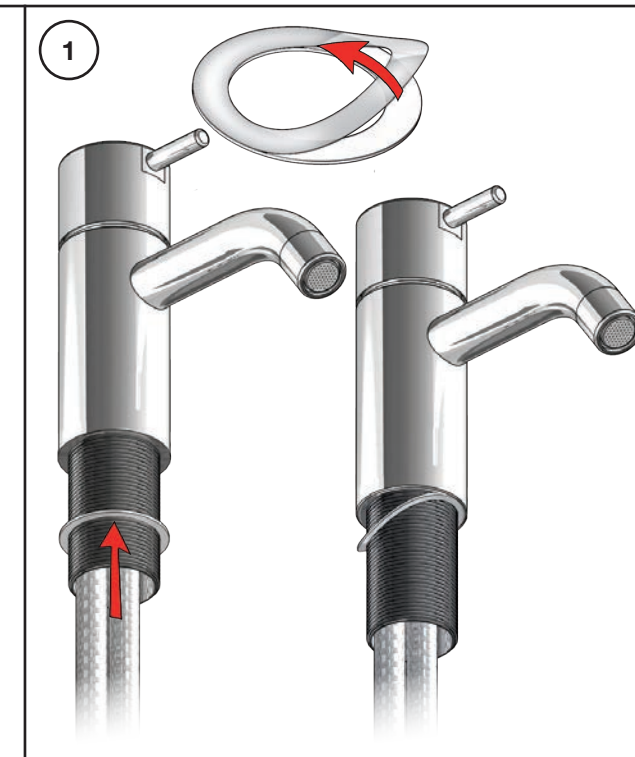
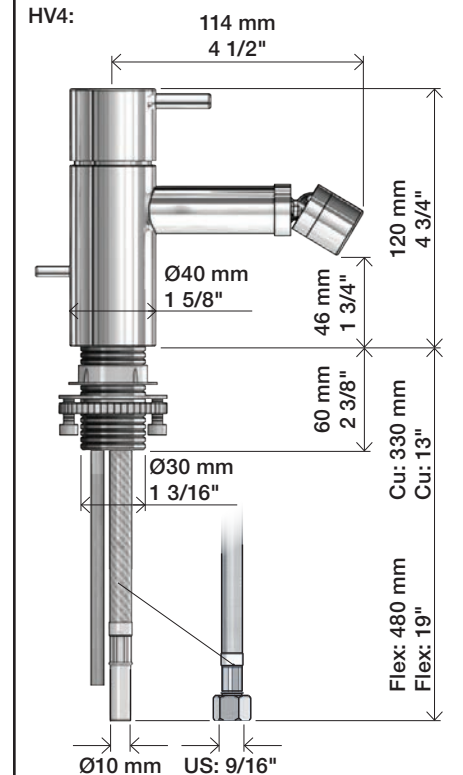
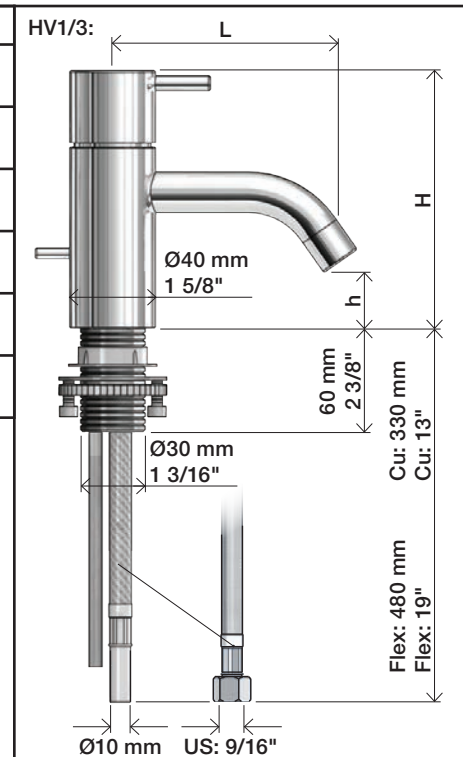
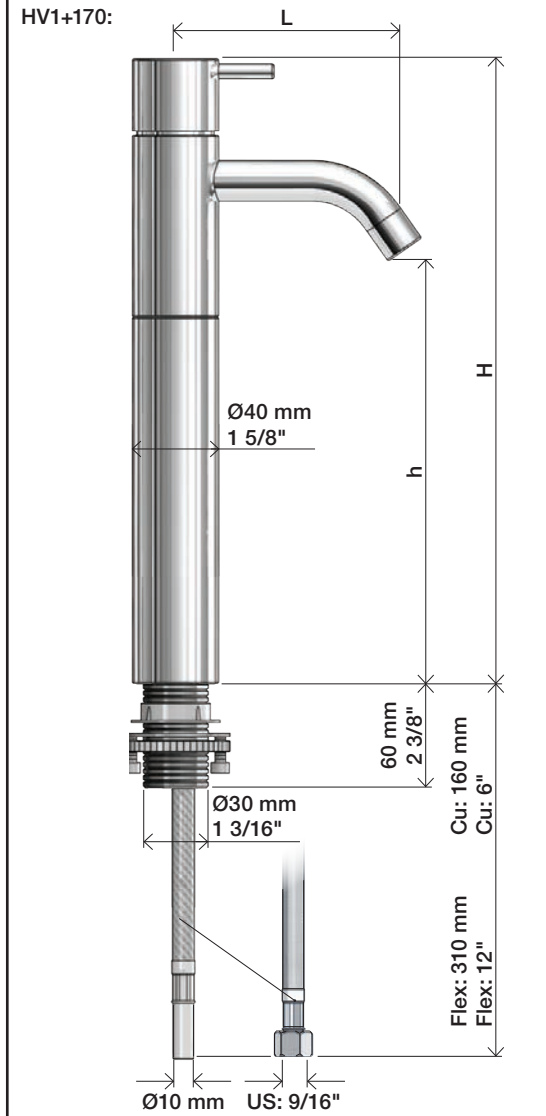
VOLA HV1, HV3, HV4

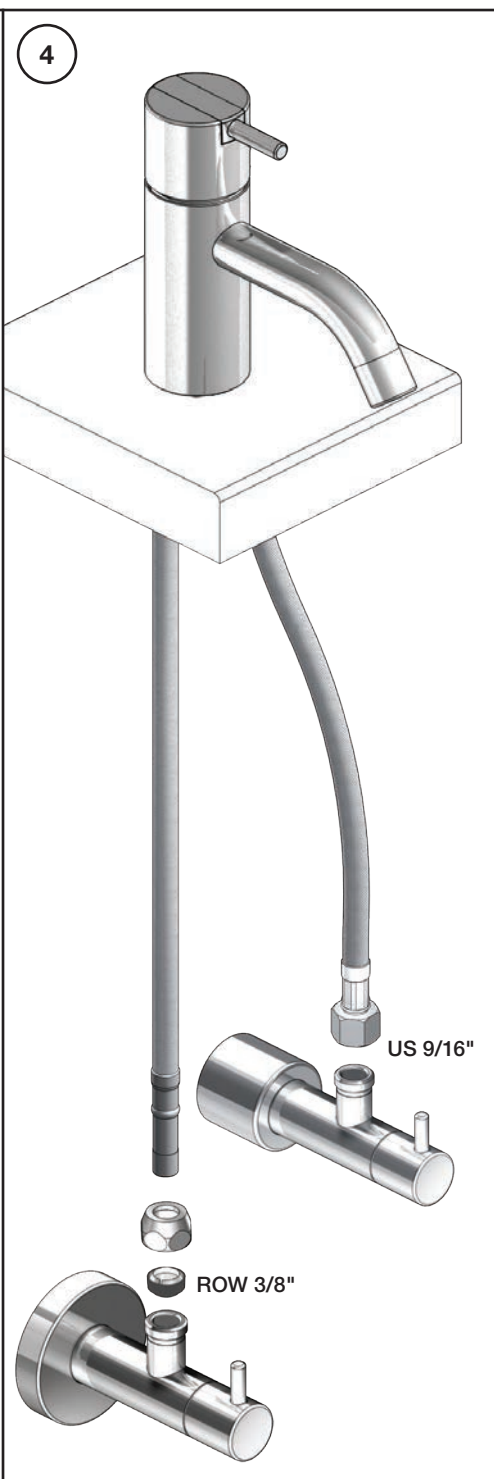
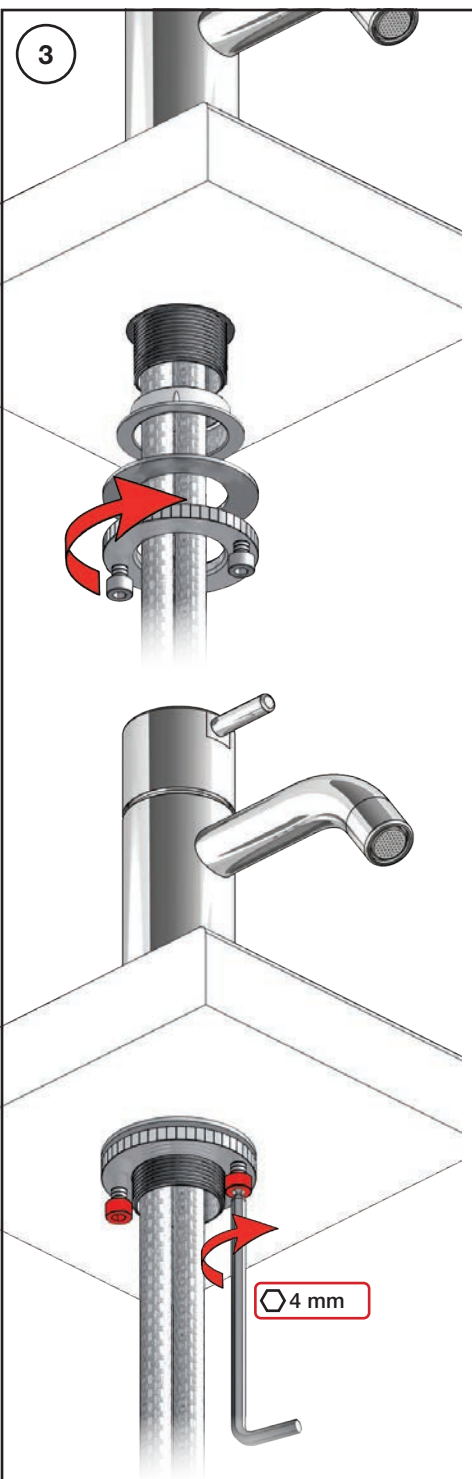
Fitting instruction
 Montageanleitung
 Monteringsvejledning
 Monteringsvægledning
 Montage hanleiding
 Manuel de montage

 **GODKENDT
 TIL DRILLEKVVAND**
 HV1, HV3:
 04/00020
 04/00028



| HV1, HV3 | L | H | h |
|-----------|------------------|-------------------|------------------|
| Std.: | 114 mm 4 1/2" | 120 mm 4 3/4" | 27 mm 1" |
| +30: | 114 mm 4 1/2" | 150 mm 6" | 56 mm 2 1/4" |
| /150: | 150 mm 6" | 120 mm 4 3/4" | 27 mm 1" |
| +30/150: | 150 mm 6" | 150 mm 6" | 56 mm 2 1/4" |
| +170: | 114 mm 4 1/2" | 290 mm 11 1/2" | 197 mm 7 3/4" |
| +170/150: | 150 mm 6" | 290 mm 11 1/2" | 197 mm 7 3/4" |





5

Data, 3 Bar/43.5 Psi:

| Max. | l/min. | Gal/min. | Note. |
|--------|--------|----------|----------------|
| HV1/3: | 5.0 | 1.3 | Standard |
| HV1/3: | 4.5 | 1.2 | Standard USA |
| HV1/3: | 9.0 | 1.8 | Standard Japan |
| HV4 | 9,0 | 1.8 | |

Max. 70°C, 158°F

