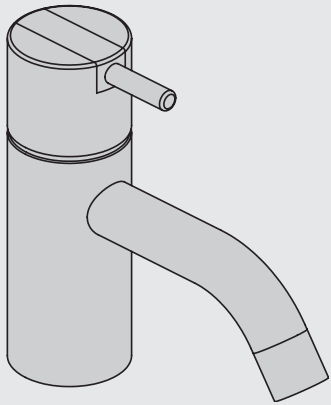


VOLA HV1, HV3, HV4

Fitting instruction
 Montageanleitung
 Monteringsvejledning
 Monteringsvægledning
 Montage hanleiding
 Manuel de montage



HV1, HV3:
 04/00020
 04/00028

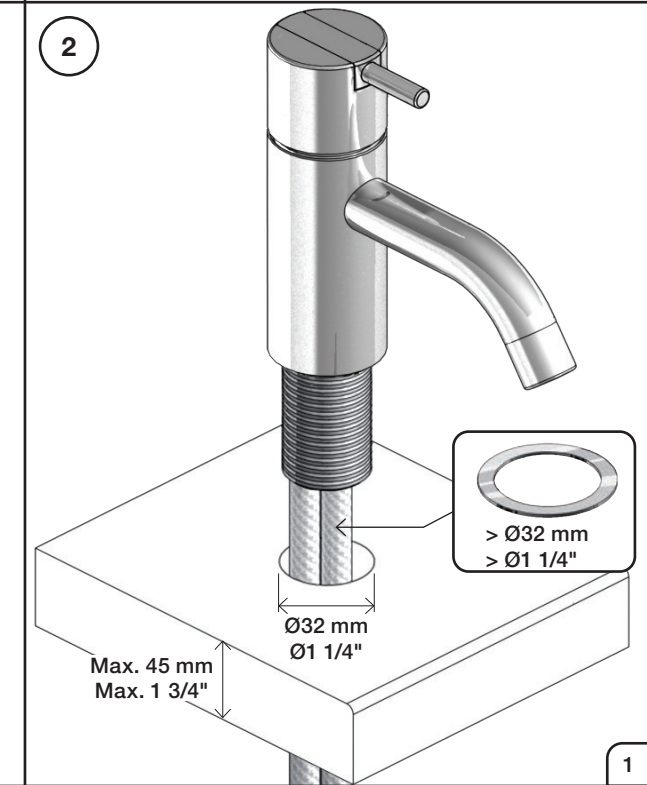
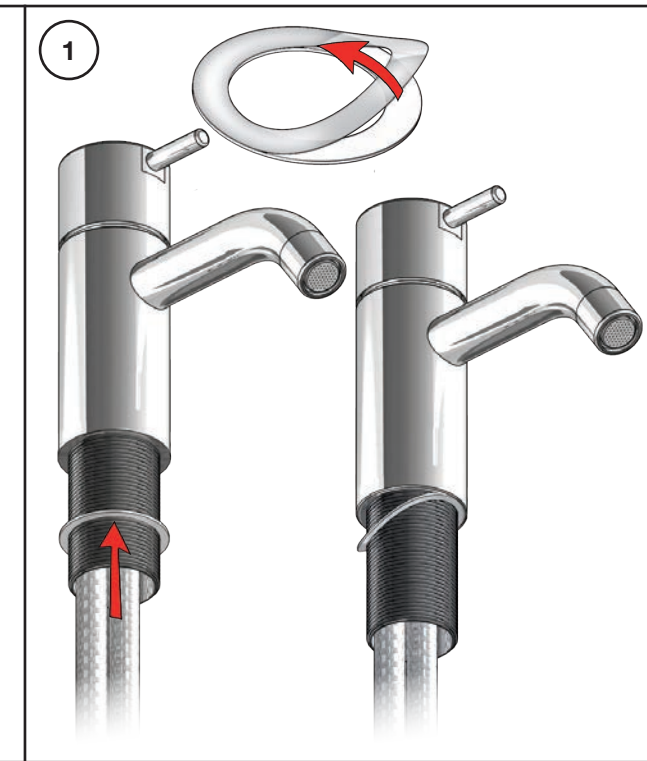
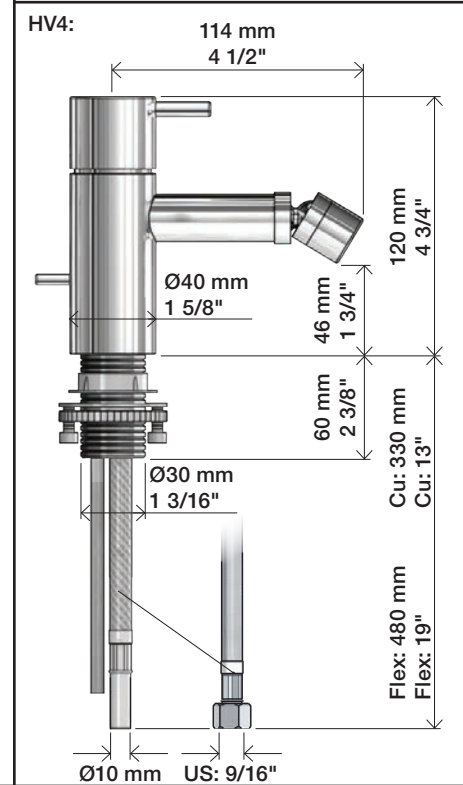
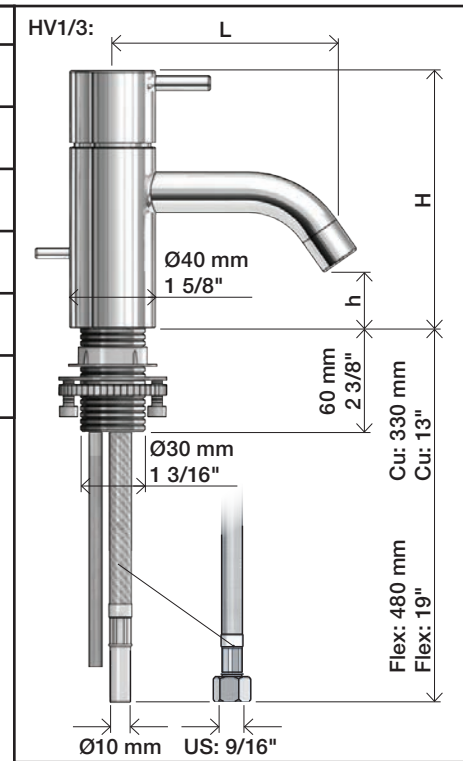
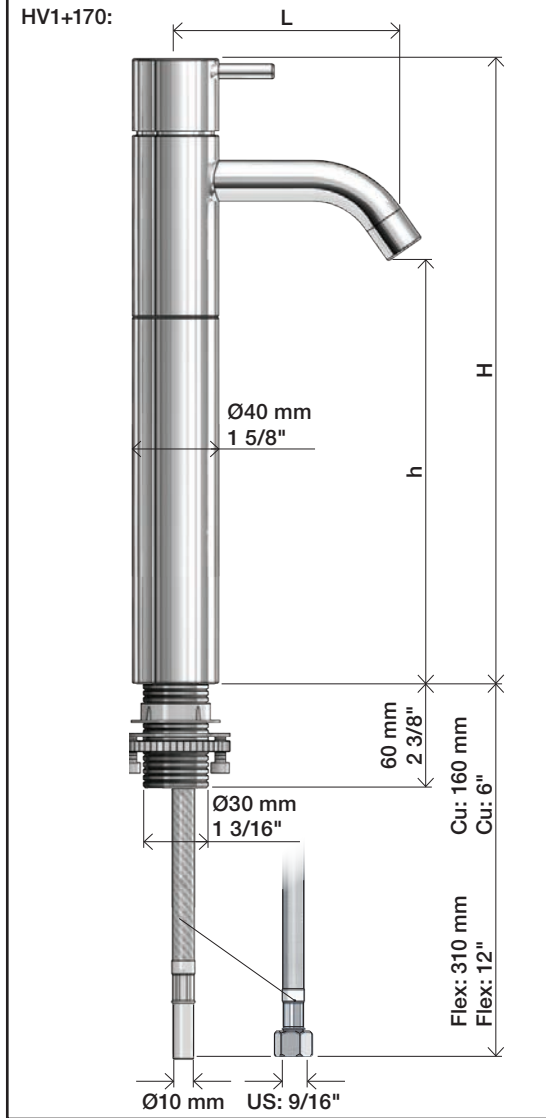


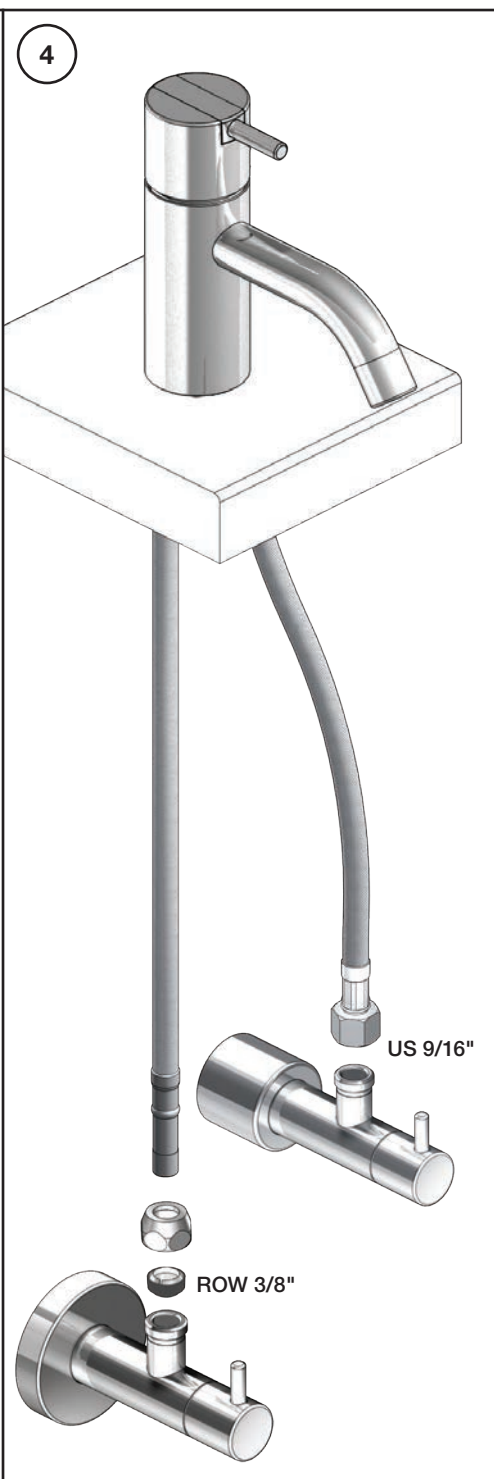
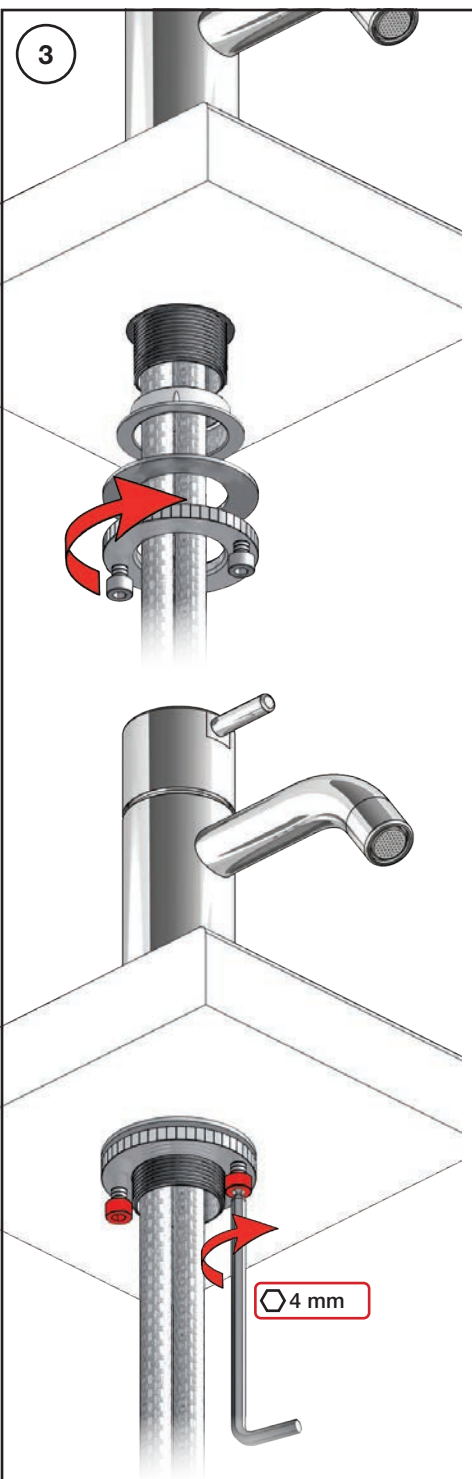
www.vola.com

HV1/HV3/HV4_V4_40999827



HV1, HV3	L	H	h
Std.:	114 mm 4 1/2"	120 mm 4 3/4"	27 mm 1"
+30:	114 mm 4 1/2"	150 mm 6"	56 mm 2 1/4"
/150:	150 mm 6"	120 mm 4 3/4"	27 mm 1"
+30/150:	150 mm 6"	150 mm 6"	56 mm 2 1/4"
+170:	114 mm 4 1/2"	290 mm 11 1/2"	197 mm 7 3/4"
+170/150:	150 mm 6"	290 mm 11 1/2"	197 mm 7 3/4"





5

Data, 3 Bar/43.5 Psi:

	Max.	l/min.	Gal/min.	Note.
	HV1/3:	5.0	1.3	Standard
	HV1/3:	4.5	1.2	Standard USA
	HV1/3:	9.0	1.8	Standard Japan
	HV4	9,0	1.8	

Max. 70°C, 158°F

