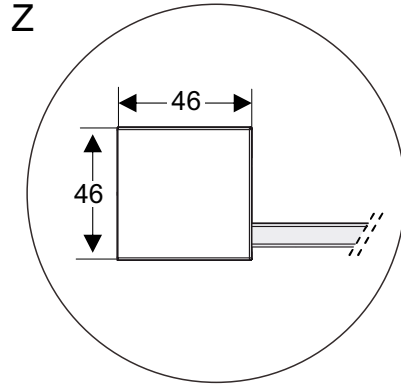
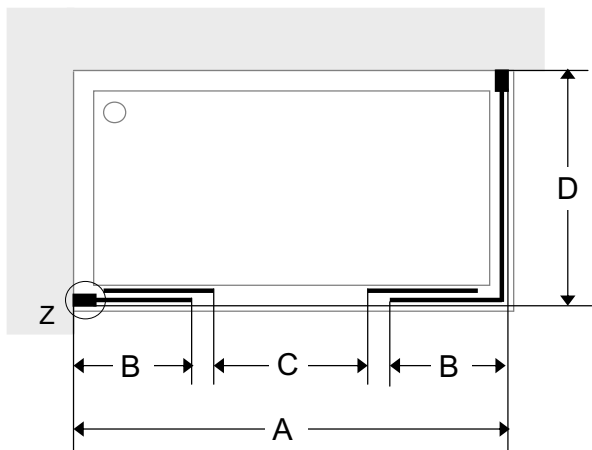
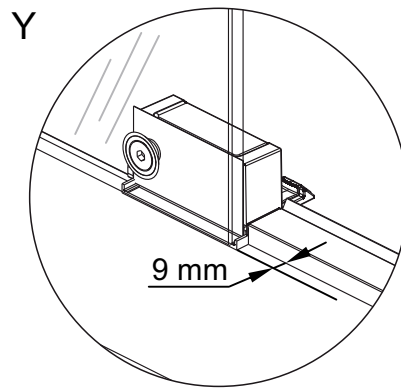
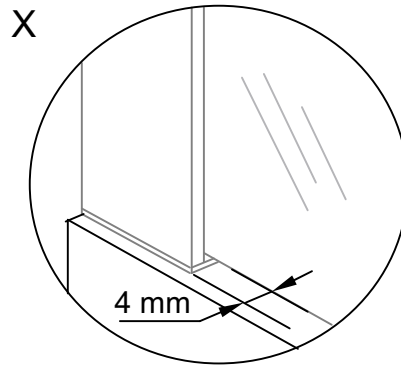
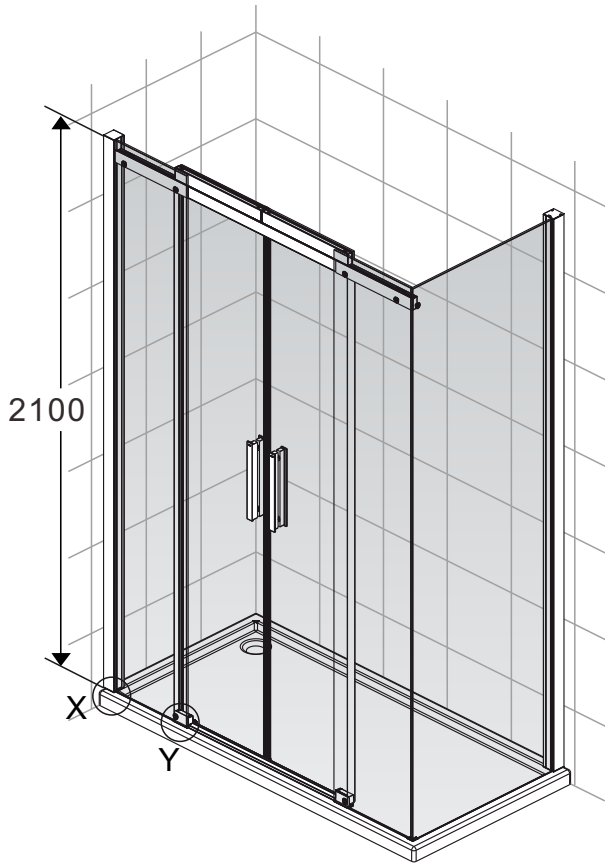


# Aerea L4+LF



LF		D
D= 200,201...1000	Min.	D - 7
	Max.	D + 8

L4		A	B Approx	C
A=1570,1571.....2000	Min.	A-7	A÷4	$\frac{A-430}{2}$
	Max.	A+7		

Ejemplo/Example

**A=1840**

A Min=1840-7=1833

A Max=1840+8=1848

B=1840÷4=460

C=1840-430=1410

1410÷2=705

**D=780**

D Min=780-7=773

D Max=780+8=788