

## Features

- 72"L x 36"W x 20"H.
- Designed for one-person bathing.
- Includes integral apron and flange to simplify installation.
- Textured bottom surface.

## Material

- Acrylic.

## Installation

- Alcove.

## Recommended Products/Accessories

- K-1601 Bath/Whirlpool Footstop
- K-7213 27" Cable Bath Drain
- K-7214 27" Cable Bath Drain
- K-7259 Clearflo Bath Drain
- K-23726 Drain treatment
- K-23732 Tub & shower cleaner
- K-37380 30" Rough-in Cable Bath Drain
- K-37383 Rough-in cable bath drain, PVC, 30" cable with tubing
- K-7265 Clearflo Bath Drain
- K-37386 rough-in cable drain, PVC, 30" cable



## Codes/Standards






- CSA B45.5/IAPMO Z124
- ASTM E162
- ASTM E662

## KOHLER® Plastic Baths and Receptors Lifetime Limited Warranty

See website for detailed warranty information.

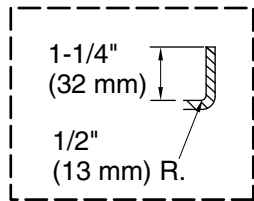
## Available Colors/Finishes

*Color tiles intended for reference only.*

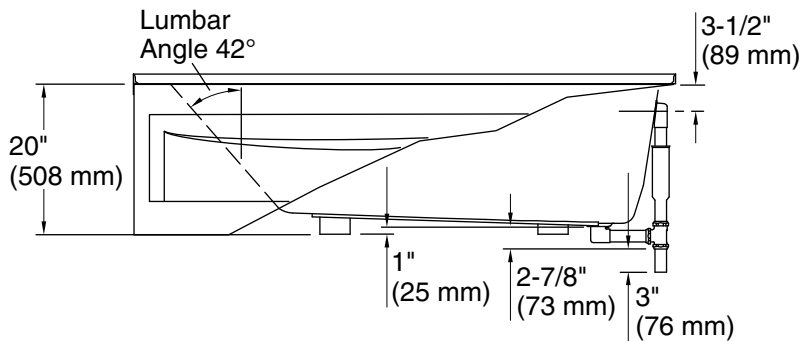
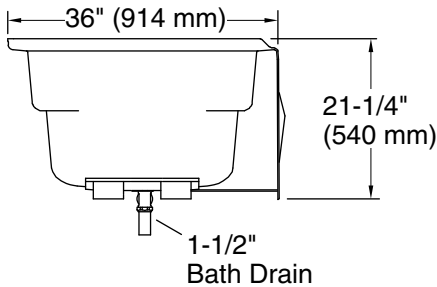
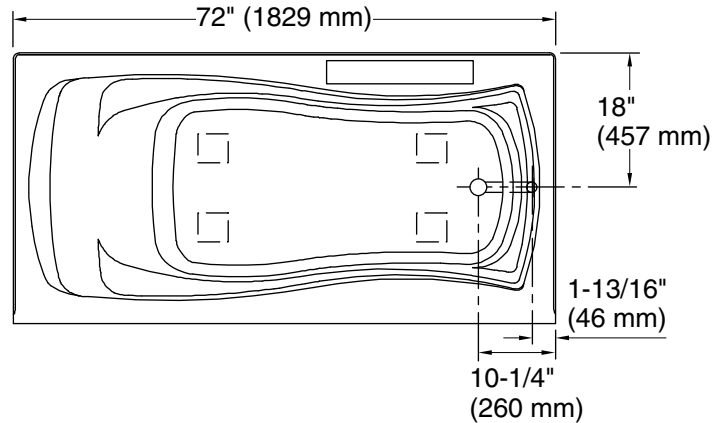
Color	Code	Description
	0	White
	96	Biscuit
	47	Almond
	NY	Dune
	G9	Sandbar

No change in measurements if connected with drain illustrated. (K-7166-AF)

 Recommended Faucet Location



Integral Flange Detail



### Technical Information

All product dimensions are nominal.

Installation:	Three-wall alcove
Drain location:	Right
Basin area, bottom:	50" x 24" (1270 mm x 610 mm)
Basin area, top:	65" x 27" (1651 mm x 686 mm)
Weight:	77 lbs (34.9 kg)
Minimum floor load:	39 lbs/ft <sup>2</sup> (190.4 kg/m <sup>2</sup> )
Water depth:	14" (356 mm)
Water capacity:	72 gal (272.5 L)
Minimum flat for door:	2-1/8" (54 mm)

### Notes

Measure your actual product for rough-in details. Install this product according to the installation instructions.

The hot water supply should be 70% of the capacity of the bath or greater. Installations will vary.

If installing a rim-mount faucet, make sure there is no interference above or below the deck before drilling any holes.