

Single tank sink S1000 1180 150

Sinks

Code: 1180 150



DETAILS

Finish Foster brushed

Material AISI 304 stainless steel

Texture Foster brushed

Base 80 cm

Edge/Installation Type Flat Edge

Dimensions 865x505 mm

Standard fittings Fixing hooks, gasket, drain, overflow and siphon, boxed packing

Mixer holes 1 standard hole - 2nd and 3rd on request

Built-in hole 840x480 mm

Drainer No

Width 86 cm

Bowl dimension 726x350mm

Number of bowls 1 bowl

Waste fitting 3,5" drain

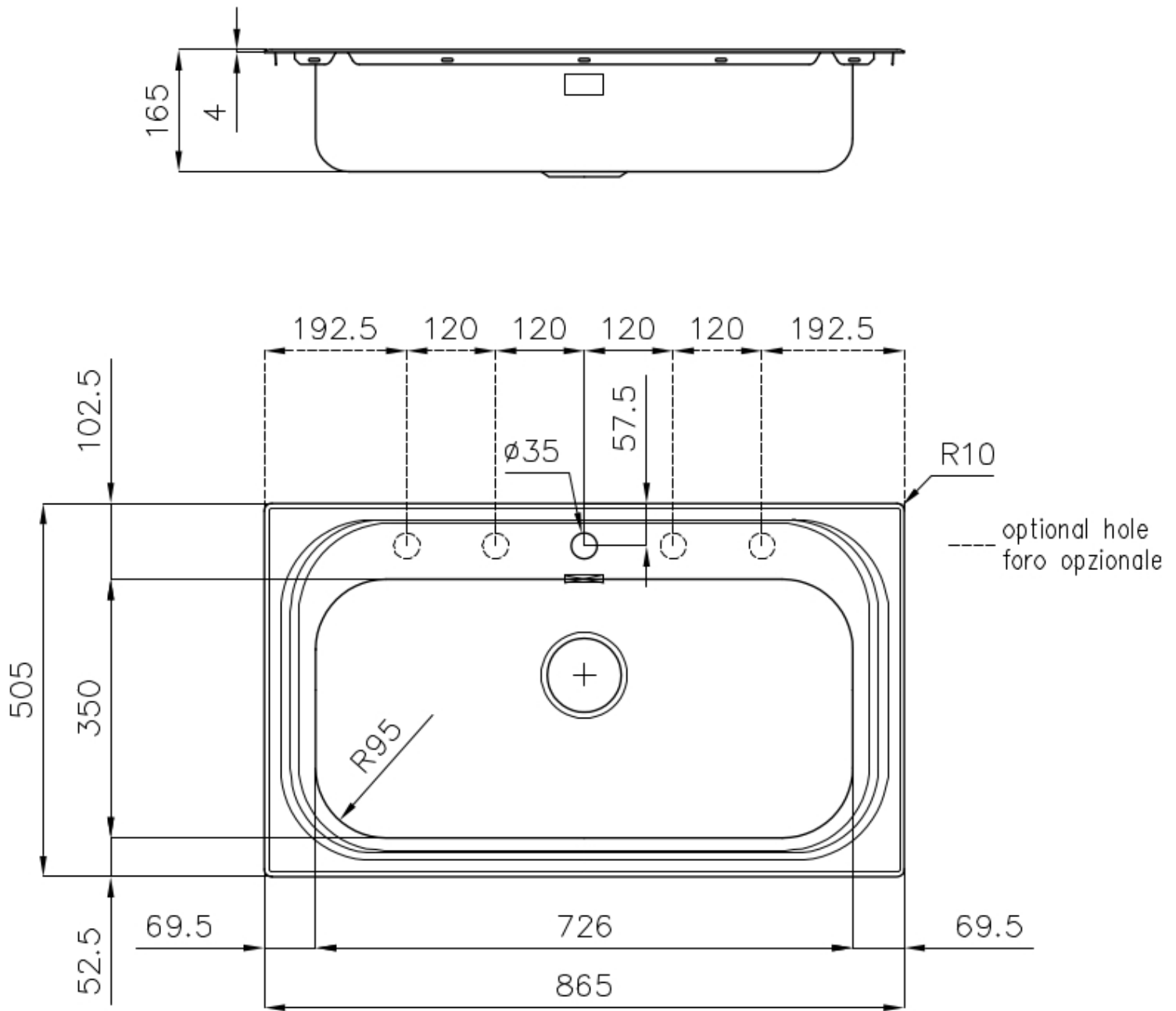
FEATURES

2nd / 3rd hole available The sink can be customized with the execution on request of additional holes, usable for double-hole mixers, for remote controlled drains or for the installation of soap dispensers. The positions are marked on the drawings with dotted line holes.

Added value Foster uses steel thicknesses higher than those used on average by other manufacturers. This is how, thanks to our long experience, we know how to make sinks of superior quality and with a better resistance to aging.

Basket 3,5" waste fitting The drain is equipped with a large 3.5" drain, with the practical basket cap that prevents the discharge of solid parts. The 3.5 "drain allows the use of the Foster waste-disposer, compatible with all models.

TECHNICAL DATA



OPTIONAL ACCESSORIES



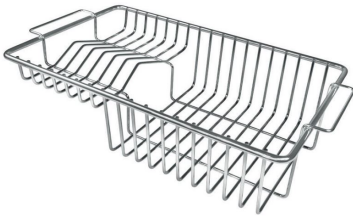
Chopping board 8643 117



Glass chopping board 8633 300



Iroko-wood sliding chopping board 8643 000



Stainless steel plate rack 8100 305

RECOMMENDED PAIRINGS



Mixer Tap Luisa 8482 000



Mixer Tap S1000 - Z65 8449 500