

E22T111



Collection: CONTRA

Finish*:



GA - Profiles
chromés

Main features:



Features

- DIMENSIONS: 200 x 110 cm
- MATERIAL: Clear glass
- NORMS AND REGULATION: EN 14428
- MIN/MAX WIDTH WITH FIXED PANEL: 69
- GLASS THICKNESS IN MM: 6

- WEIGHT: 36 kg
- INSTALLATION TYPE: Corner
- MIN/MAX WIDTH: 40
- OPENING: 69
- PANEL HEIGHT IN CM: 200

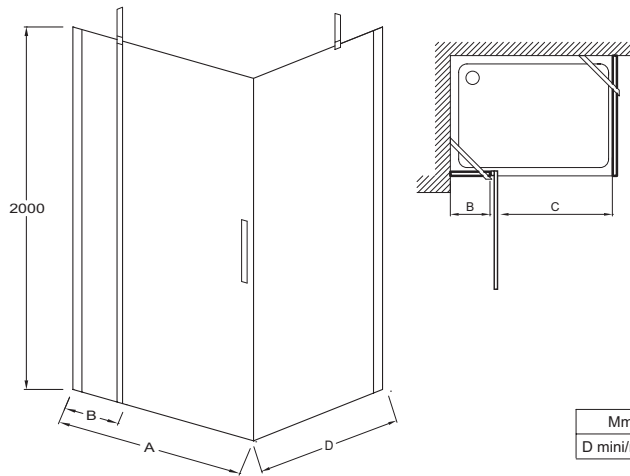
Required products

- E22BW90: Horizontal bar
- E22BT: ff

Optional products

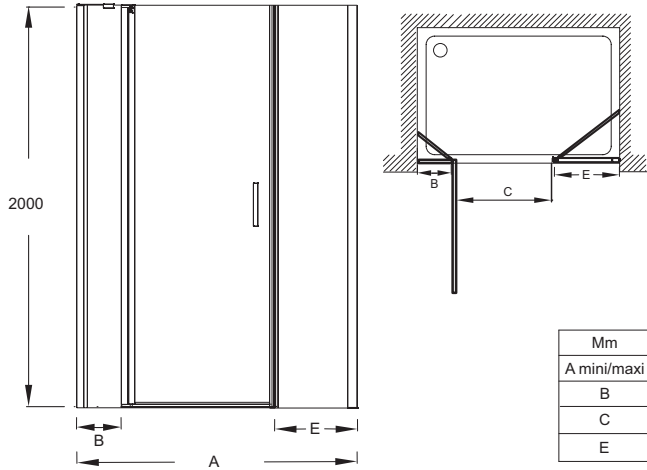
- E22000: Extension profile

Product Specification: Pivot door 110 cm, corner installation. E22T111. Collection: CONTRA. DIMENSIONS: 200 x 110 cm. WEIGHT: 36 kg. MATERIAL: Clear glass. INSTALLATION TYPE: Corner. NORMS AND REGULATION: EN 14428. MIN/MAX WIDTH: 40. MIN/MAX WIDTH WITH FIXED PANEL: 69. OPENING: 69. GLASS THICKNESS IN MM: 6. PANEL HEIGHT IN CM: 200.

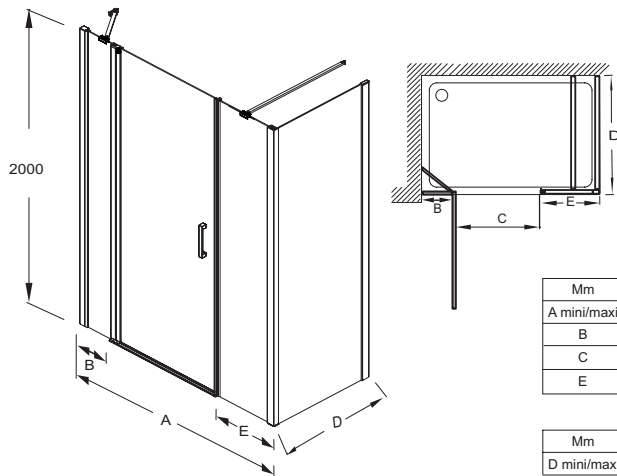


	E22T101	E22T111	E22T121
Mm	1000	1100	1200
A mini/maxi	964 / 982	1064 / 1082	1164 / 1182
B	246	285	446
C	690	690	690

	E22FT70	E22FT80	E22FT90	E22FT100
Mm	700	800	900	1000
D mini/maxi	660 / 680	760 / 780	860 / 880	960 / 980



	E22T101+E22L40	E22T111+E22L40	E22T121+E22L40
Mm	1400	1500	1600
A mini/maxi	1364 / 1400	1464 / 1500	1564 / 1600
B	246	285	446
C	690	690	690
E	400	400	400



	E22T101+E22L40	E22T111+E22L40	E22T121+E22L40
Mm	1400	1500	1600
A mini/maxi	1364 / 1400	1464 / 1500	1564 / 1600
B	246	285	446
C	690	690	690
E	400	400	400

	E22FT70	E22FT80	E22FT90	E22FT100
Mm	700	800	900	1000
D mini/maxi	664 / 680	764 / 780	864 / 880	964 / 980

Product Specification: Pivot door 110 cm, corner installation. E22T111. Collection: CONTRA. DIMENSIONS: 200 x 110 cm. WEIGHT: 36 kg. MATERIAL: Clear glass. INSTALLATION TYPE: Corner. NORMS AND REGULATION: EN 14428. MIN/MAX WIDTH: 40. MIN/MAX WIDTH WITH FIXED PANEL: 69. OPENING: 69. GLASS THICKNESS IN MM: 6. PANEL HEIGHT IN CM: 200.