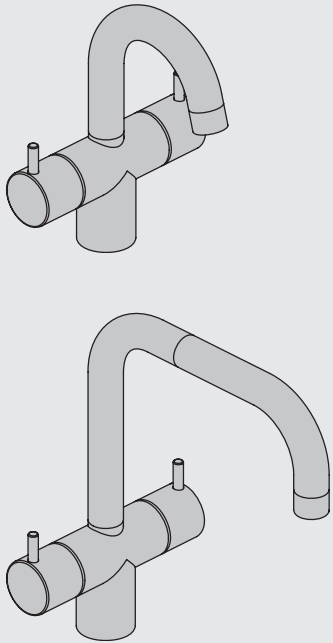
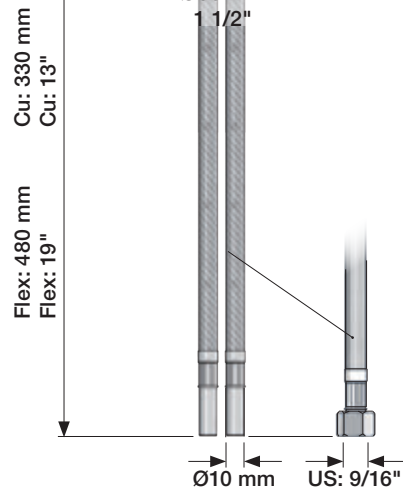
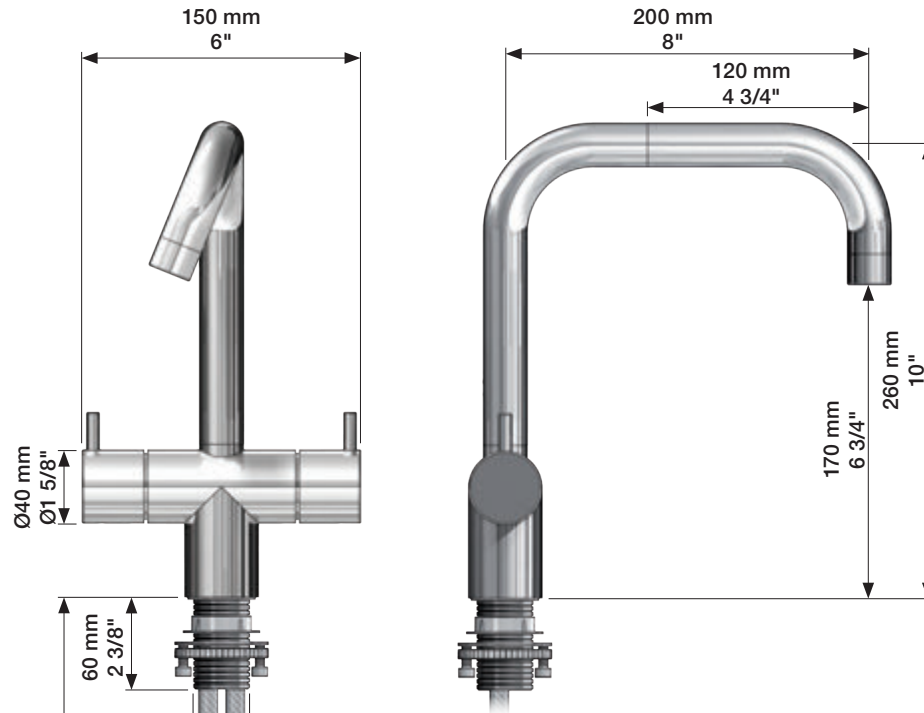


**VOLA HV6, HV7**  
**VOLA KV6, KV7**

Fitting instruction  
Montageanleitung  
Monteringsvejledning  
Monteringsvægledning  
Montage hanleiding  
Manuel de montage



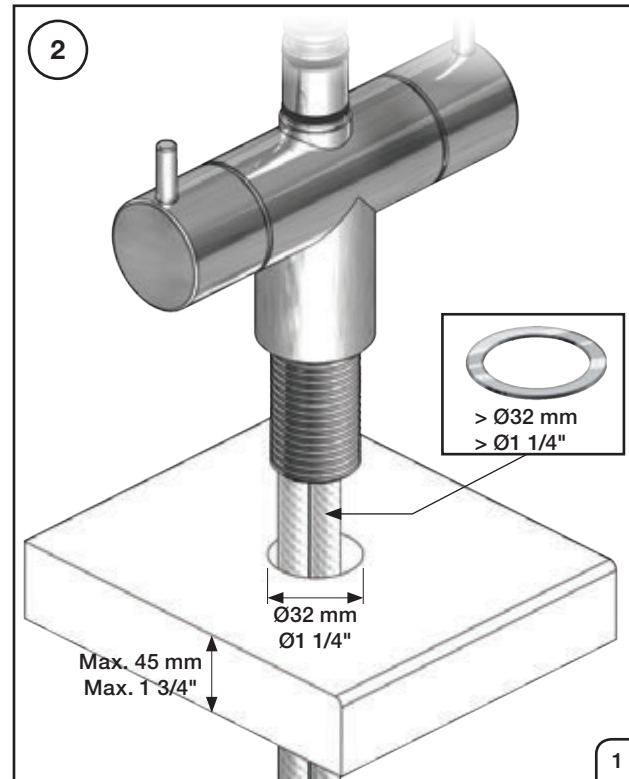
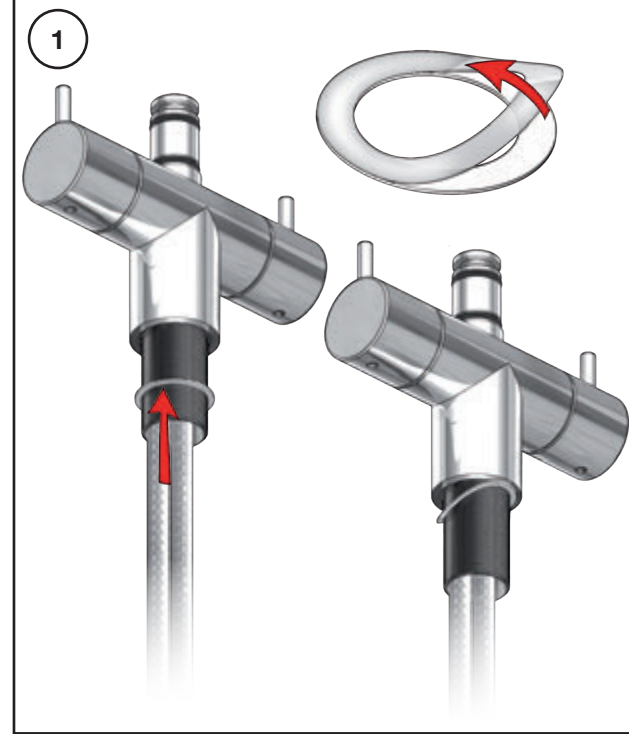
**KV6, KV7:**

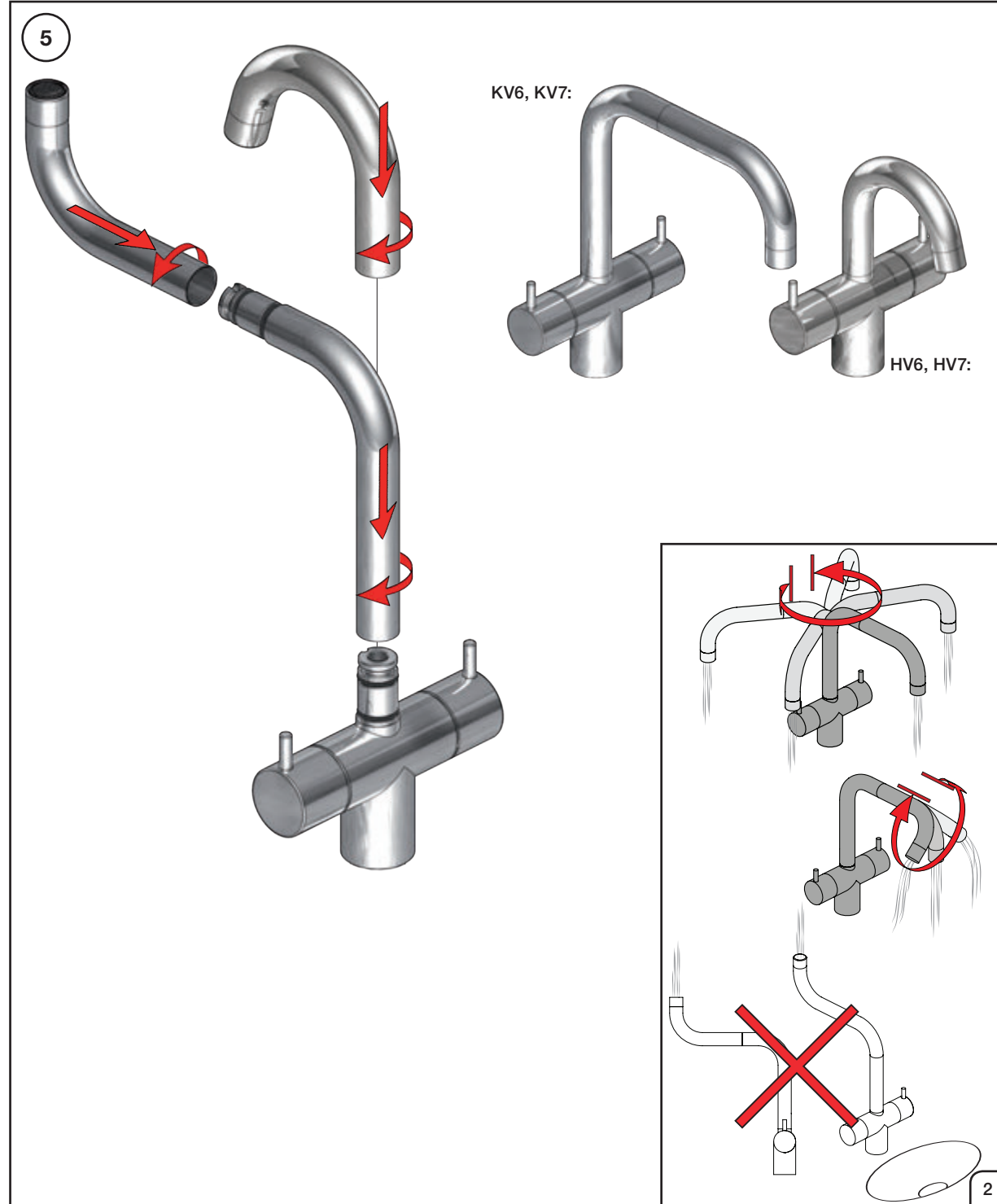
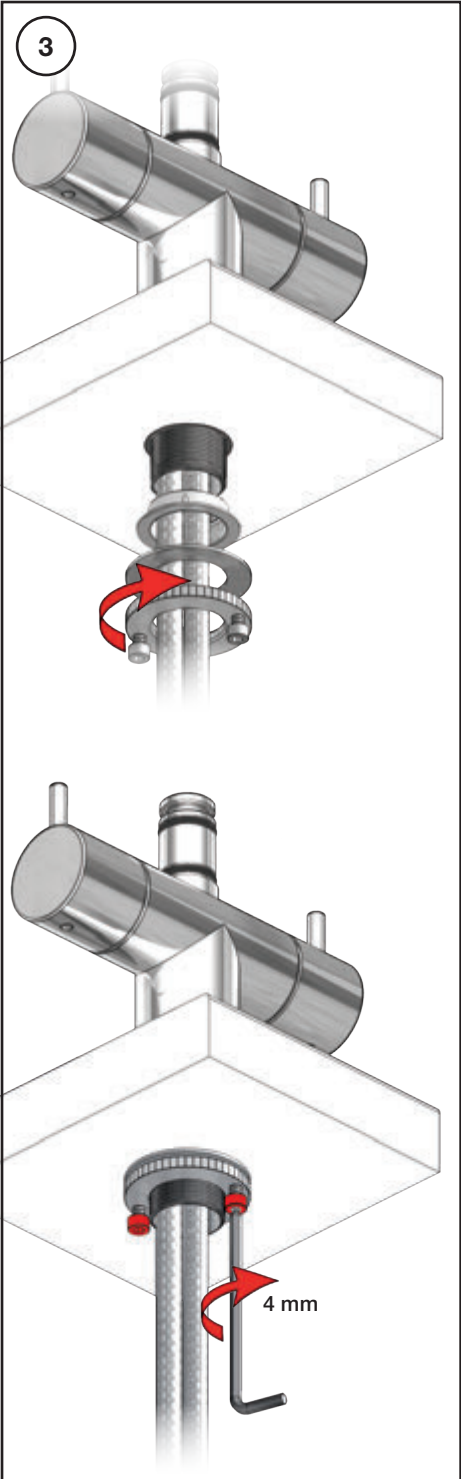


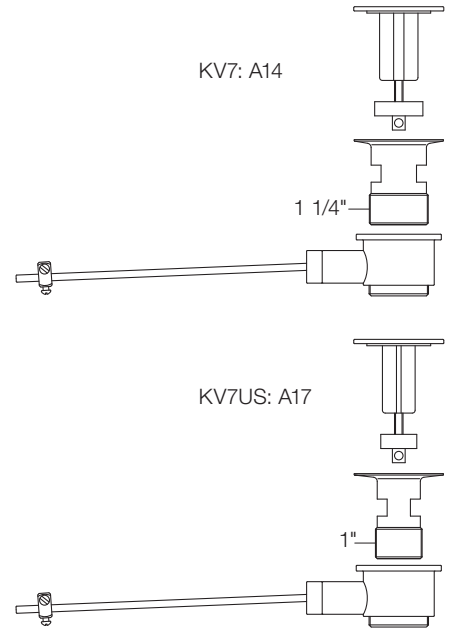
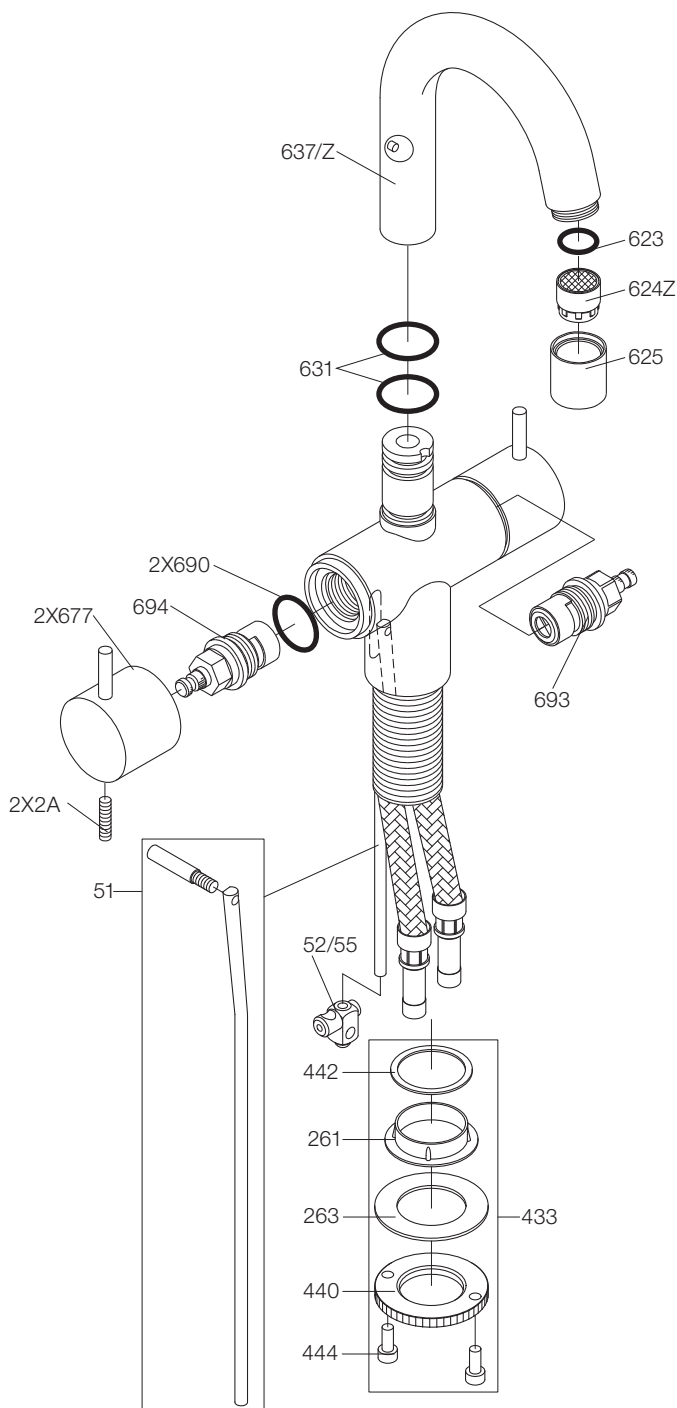
**Data, 3 Bar /43.5 Psi:** (Min. 0,5 - Max. 8 Bar)

	l/min.	Gal/min.
HV6/7:	9,0	2,0
KV6/7	9,0	2,0

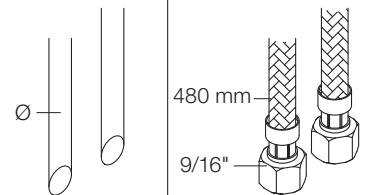
Max. 70°C, 158°F



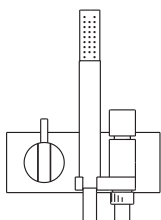




KV7: Ø10  
 KV7JP: Ø10  
 KV7US: Ø3/8"  
 KV7Q: Ø3/8"



- |         |                                     |
|---------|-------------------------------------|
| 010Z:   | VR623, VR624Z                       |
| VR433:  | VR261, VR263, VR440, VR442, 2xVR444 |
| VR693K: | VR23, VR693                         |
| VR694K: | VR23, VR694                         |
| NR.7:   | VR2A, VR677                         |



**VOLA A/S**  
 Lunavej 2  
 DK-8700 Horsens  
 Tlf : + 45 7023 5500  
 Fax: + 45 7023 5511  
 sales@vola.com  
 www.vola.com

**VOLA HV7**  
 VOLA FHV7  
 VOLA HV7Q  
 VOLA FHV7US  
 VOLA HV7US

Dato	Sep. 09
Rev.	6
Blad	SB 46