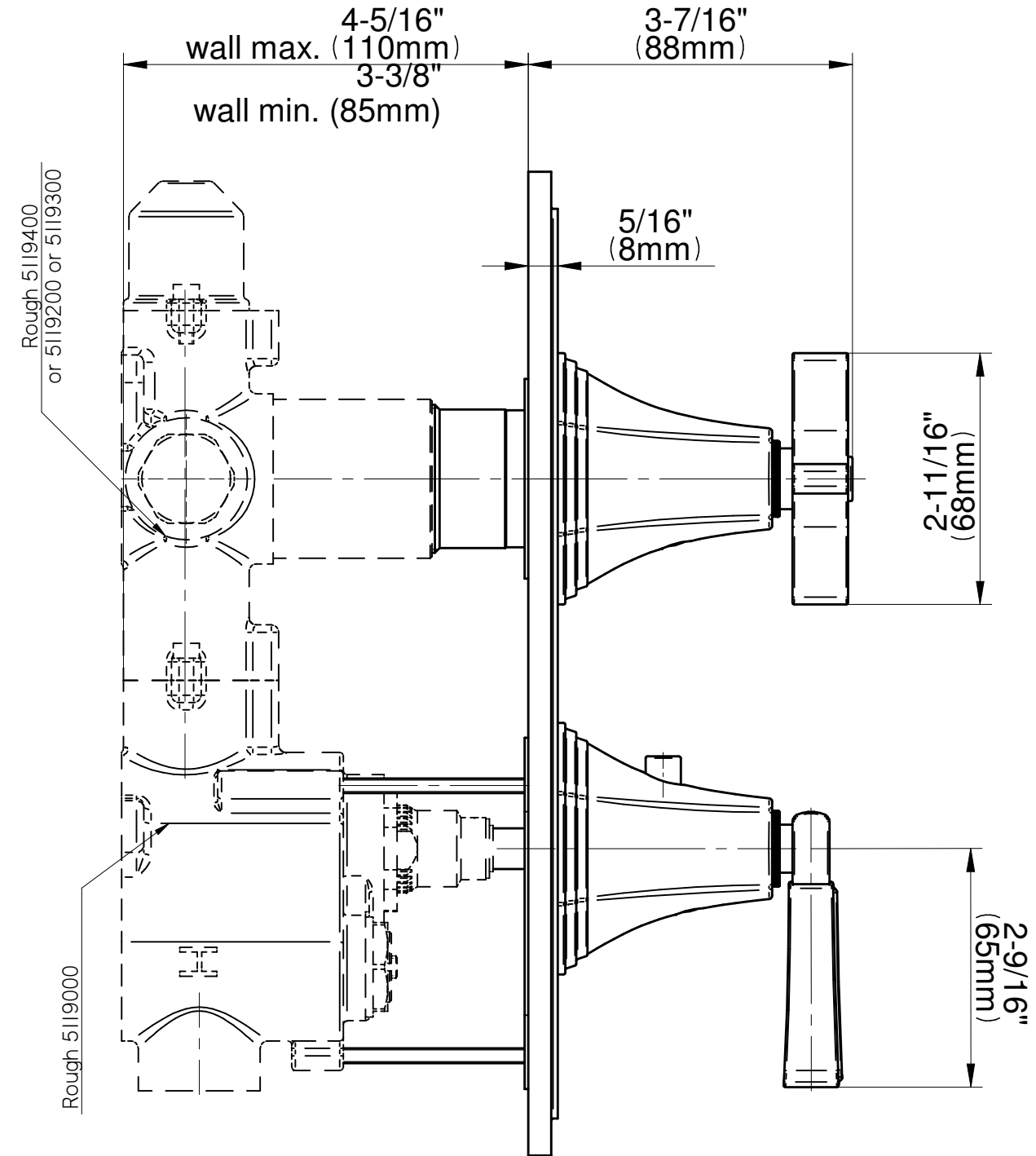
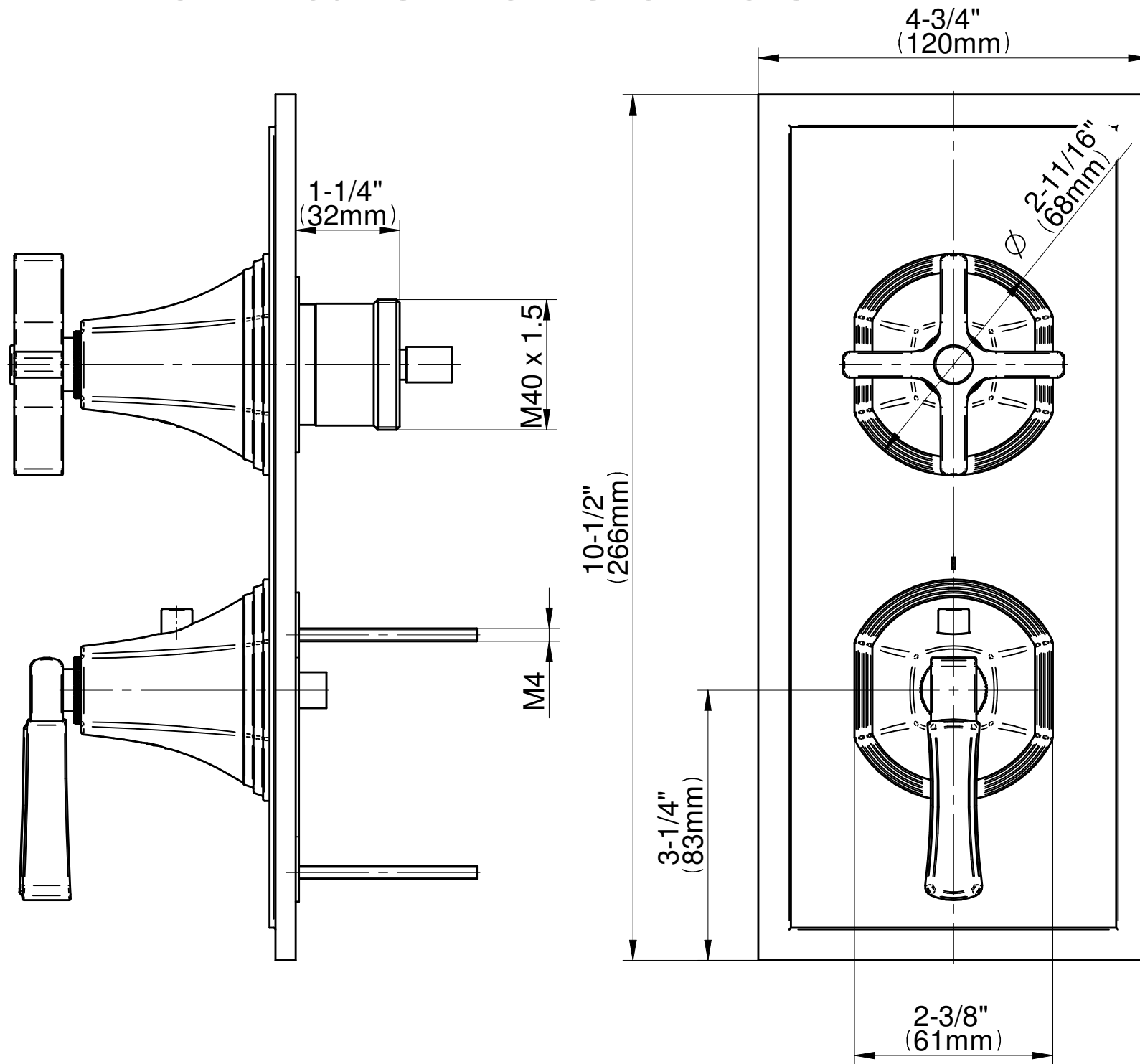


5396800

Finezza Uno Series



GRAFF[®]
CUTTING EDGE DESIGN