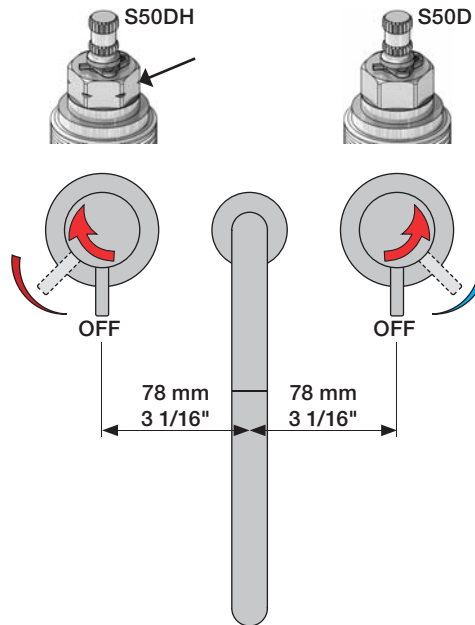
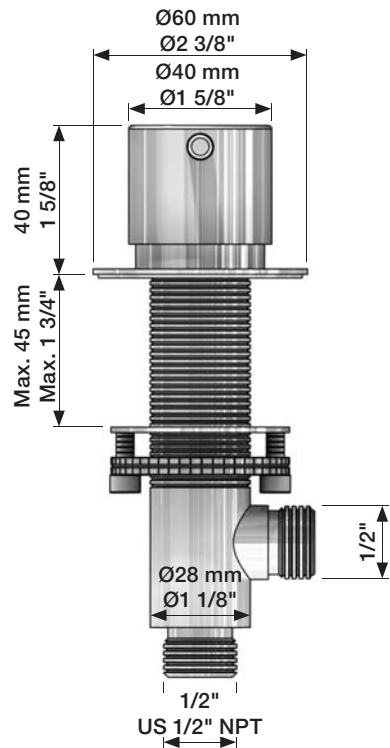


VOLA S50, S50D, S50DH  
 VOLA KV3, KV4, KV9, KV10, KV15  
 VOLA HV5, HV8, HV10  
 VOLA SC2, SC4, SC6, SC8, SC11, SC13

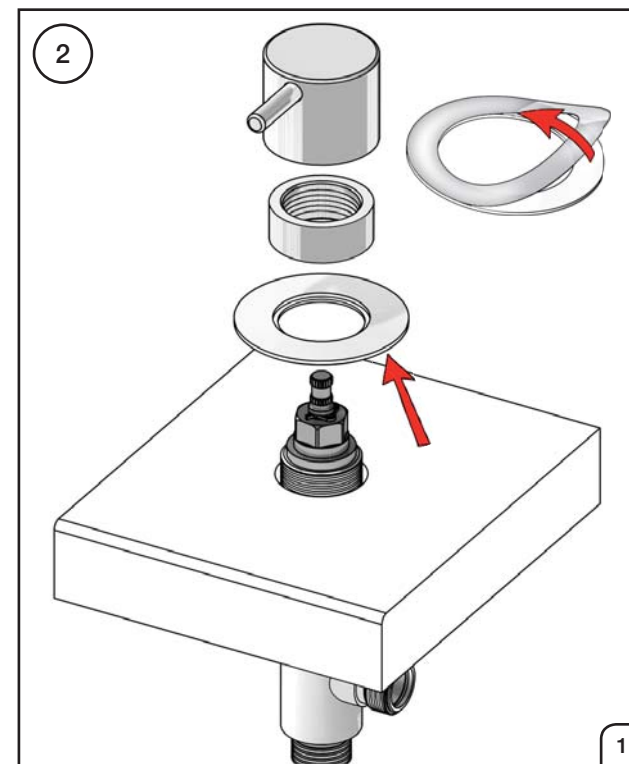
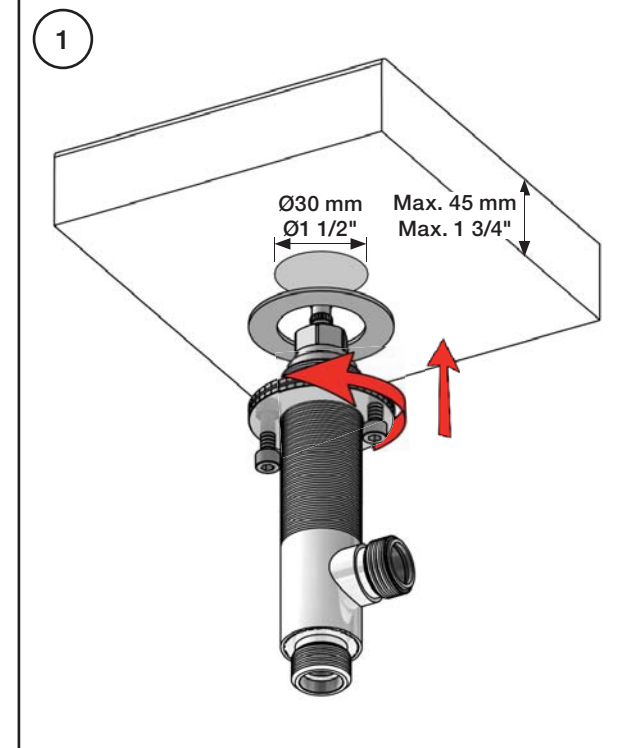
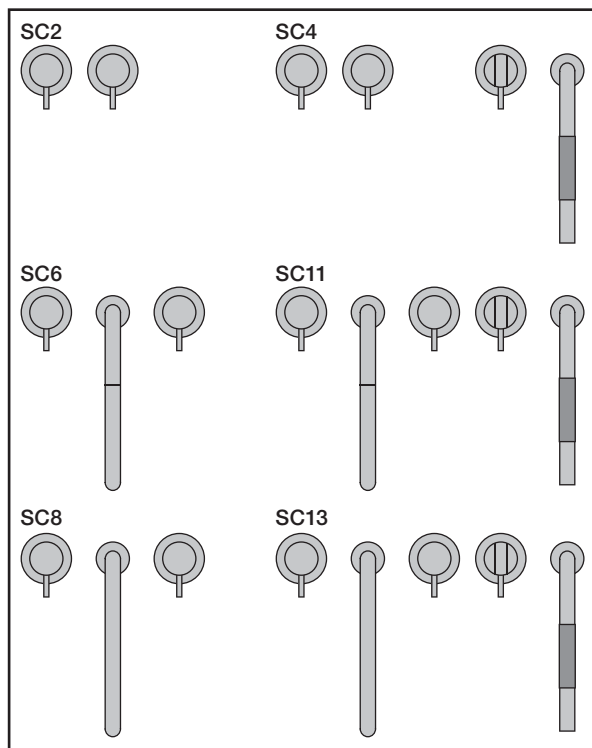
Fitting instruction  
 Montageanleitung  
 Monteringsvejledning  
 Monteringsvægledning  
 Montage hanleiding  
 Manuel de montage

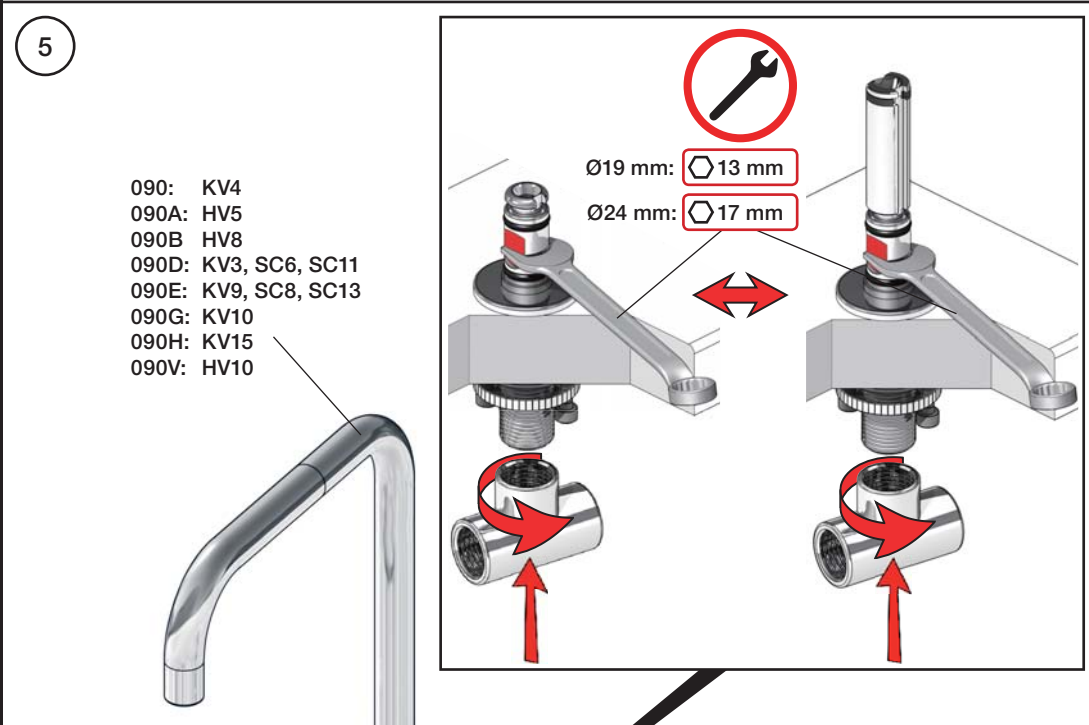
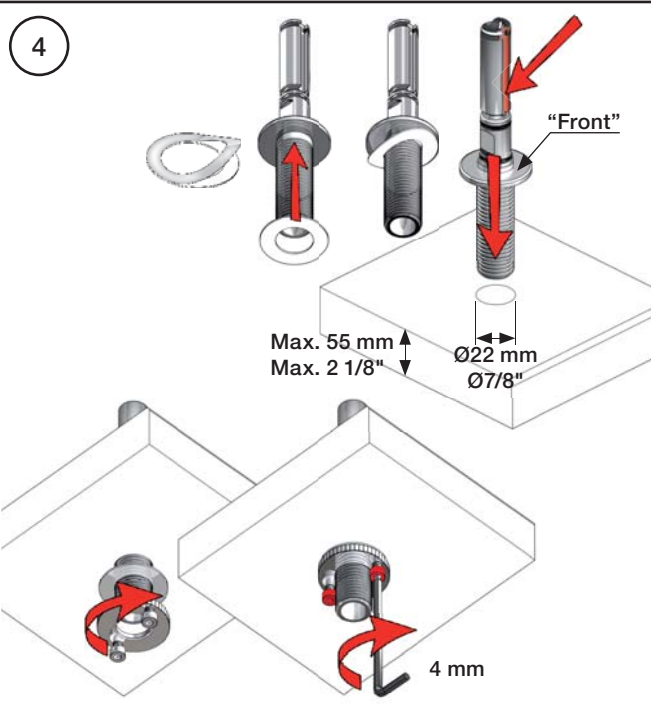


**Data, 3 Bar:**

	l/min.	Gal/min.
S50:	32,0	8.5
KV3:	30,0	7.9
KV4:	9,0	2.4
KV10, 15:	9,0	2.4
HV5, 8, 10:	9,0	2.4
SC2, 4 (A24):	16,0	4.2
SC6, 8, 11, 13: (C)	26,0	6.9

Max. 65°C, 150°F



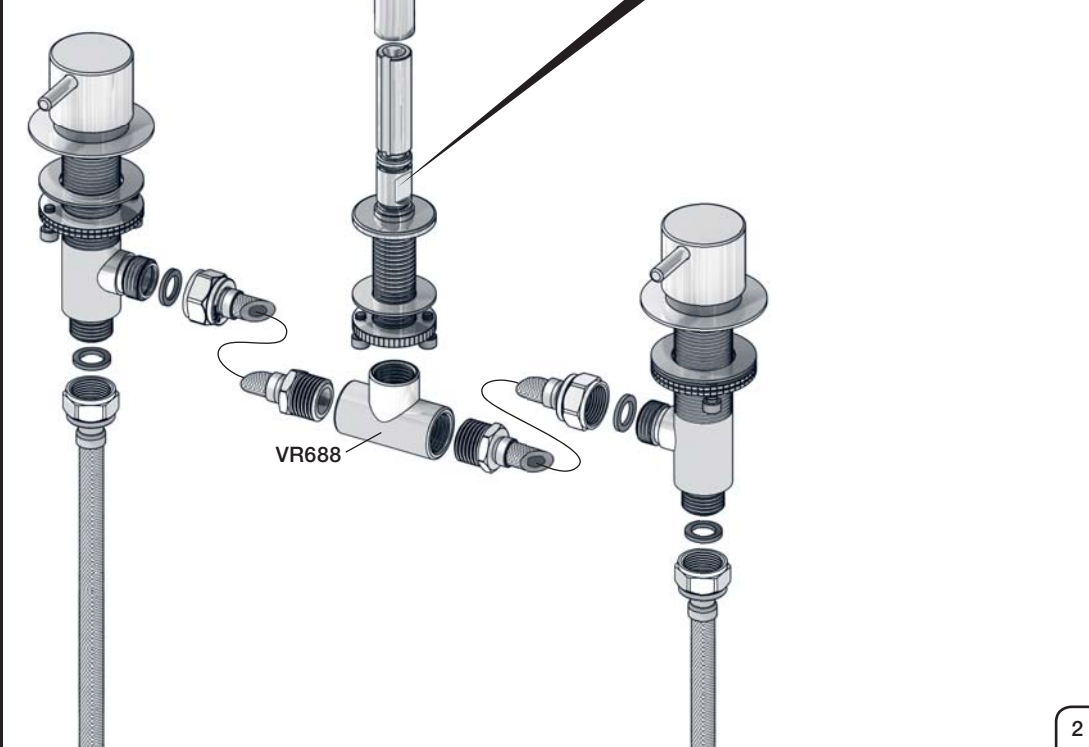
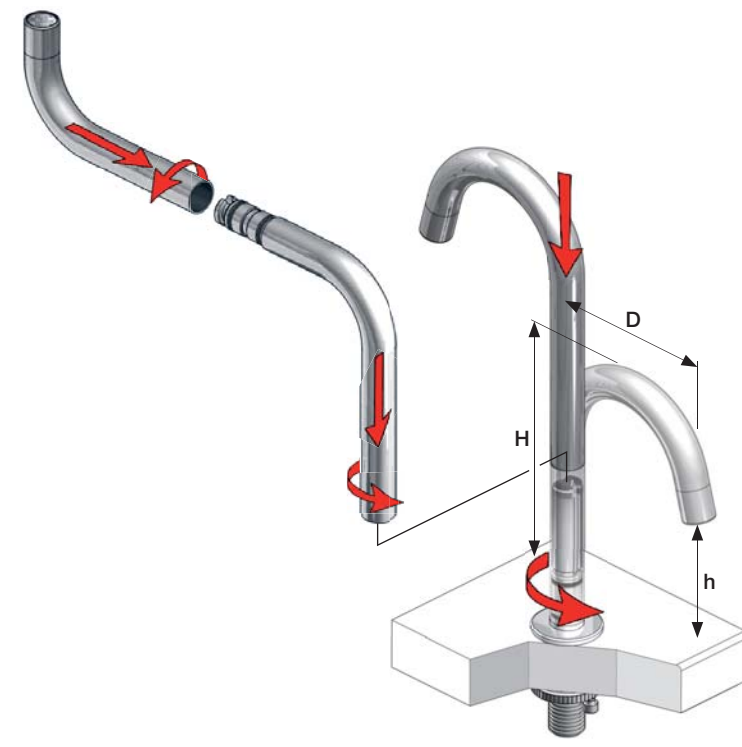


4A

mm:	H	D	h
090	210	200	145
090A	110	85	40
090B	185	100	114
090C	185	100	114
090D	220	200	130
090E	170	200	65
090G	185	140	105
090H	265	230	155
090I	325	230	216
090V	355	145	270

Inches:	H	D	h
090	8 1/2"	8"	5 3/4"
090A	4 1/4"	3 1/2"	1 1/2"
090B	7"	4"	4 1/2"
090C	7"	4"	4 1/2"
090D	8 3/4"	8"	5"
090E	6 3/4"	8"	2 1/2"
090G	7"	5 1/2"	4"
090H	10 1/2"	9"	6"
090I	12 3/4"	9"	8 1/2"
090V	14"	5 3/4"	10 1/2"



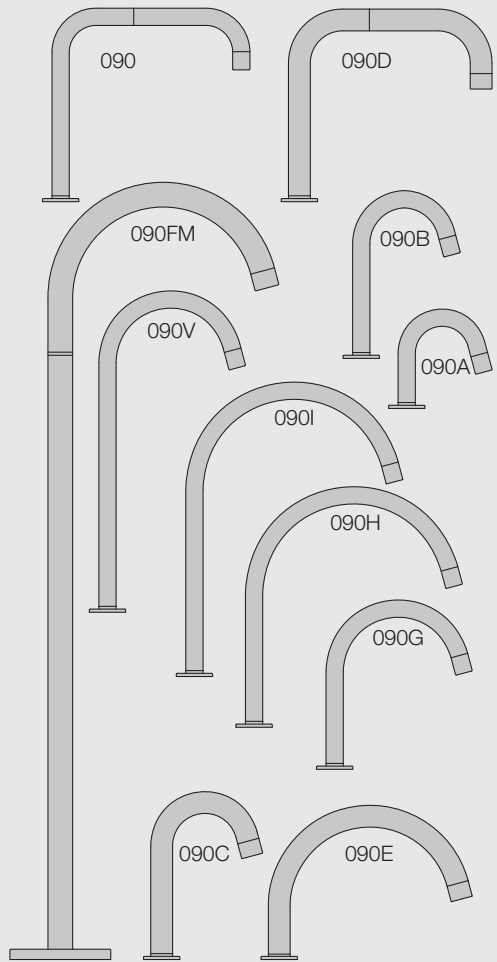
VOLA 090, 090A, 090B:  
 VOLA 090C, 090D, 090E:  
 VOLA 090G, 090H, 090I, 090V:

1 - 4

VOLA 090FM:

5

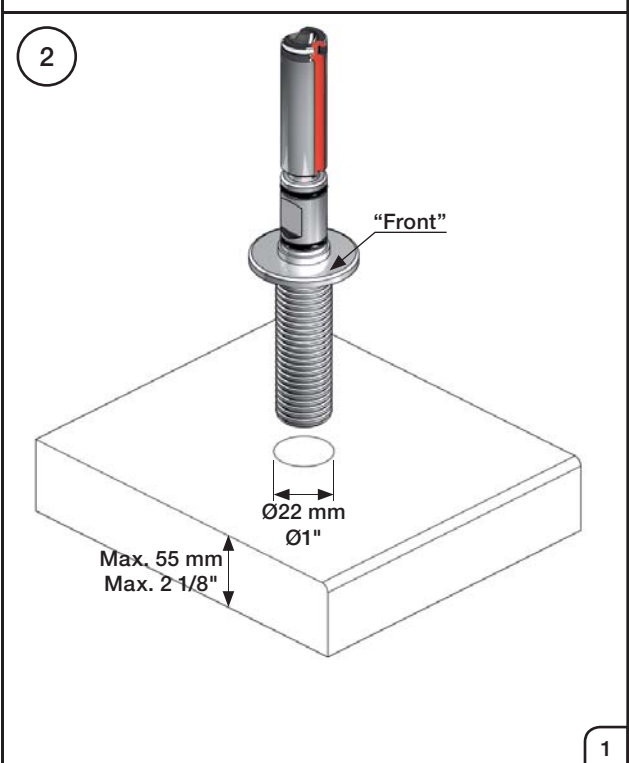
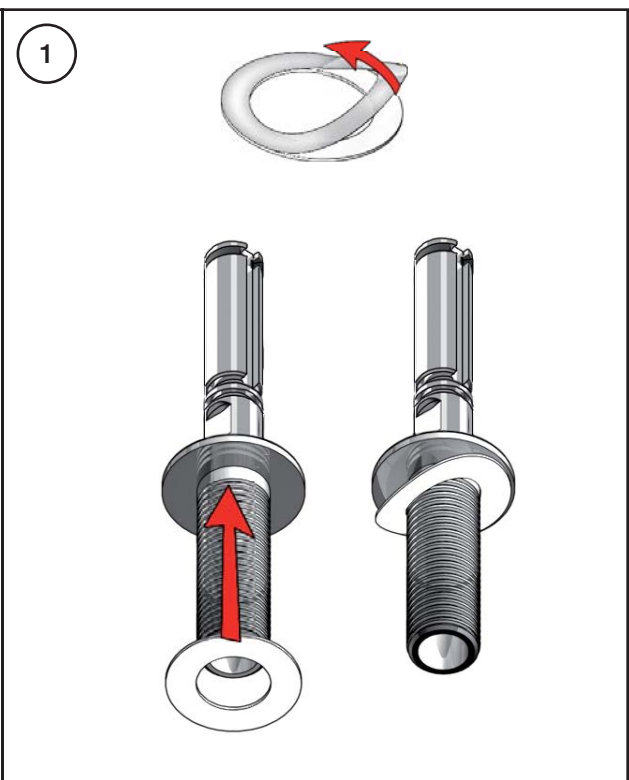
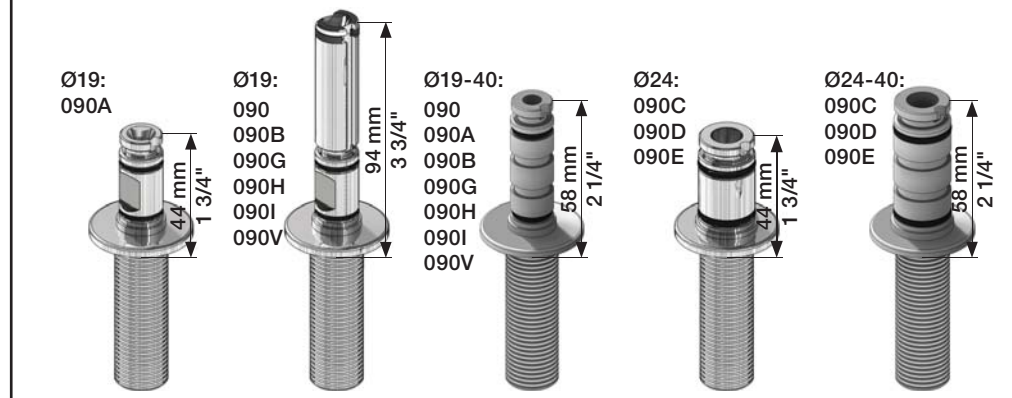
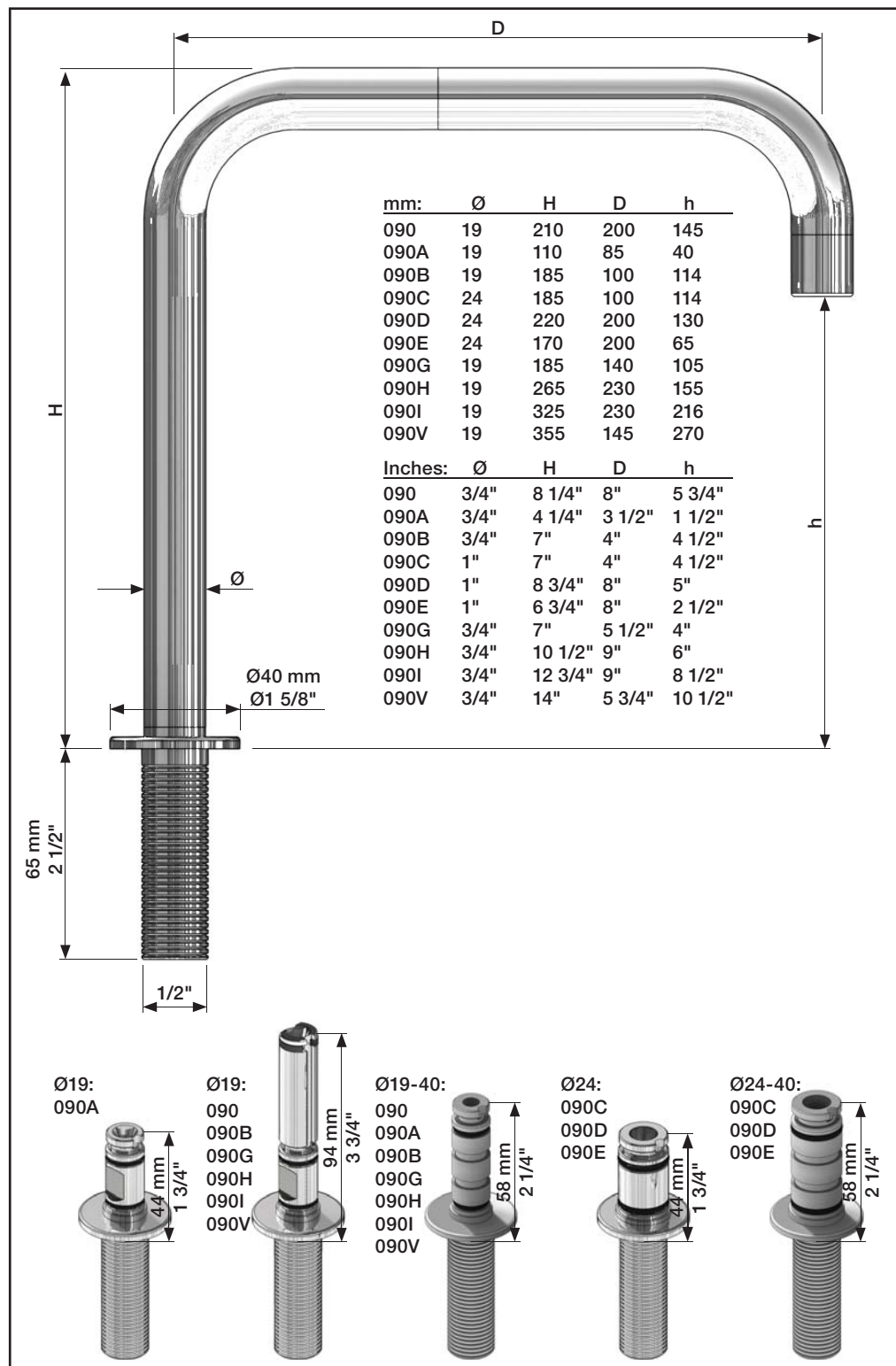
Fitting instruction    Monteringsvægledning  
 Montageanleitung    Montage hanledning  
 Monteringsvejledning    Manuel de montage

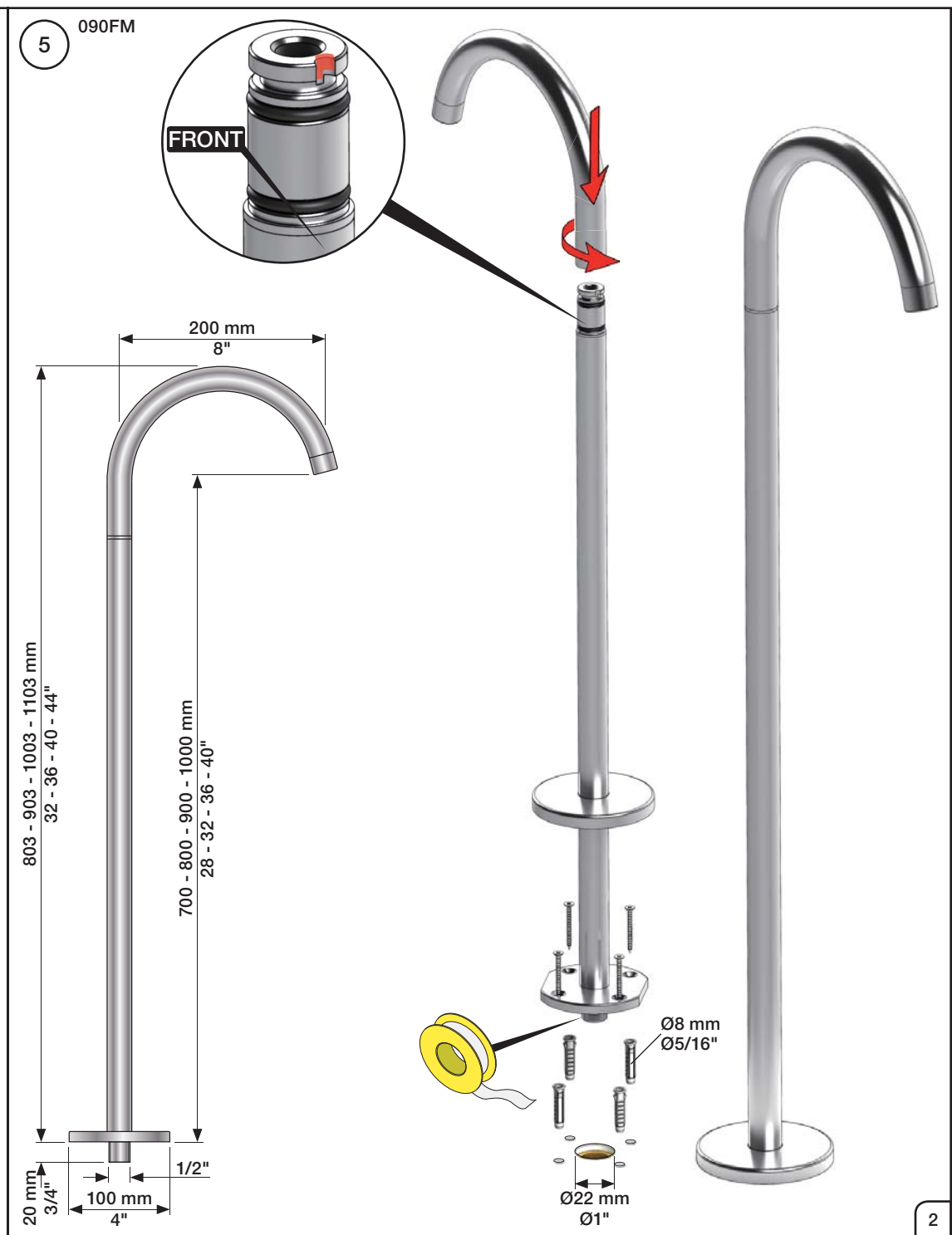
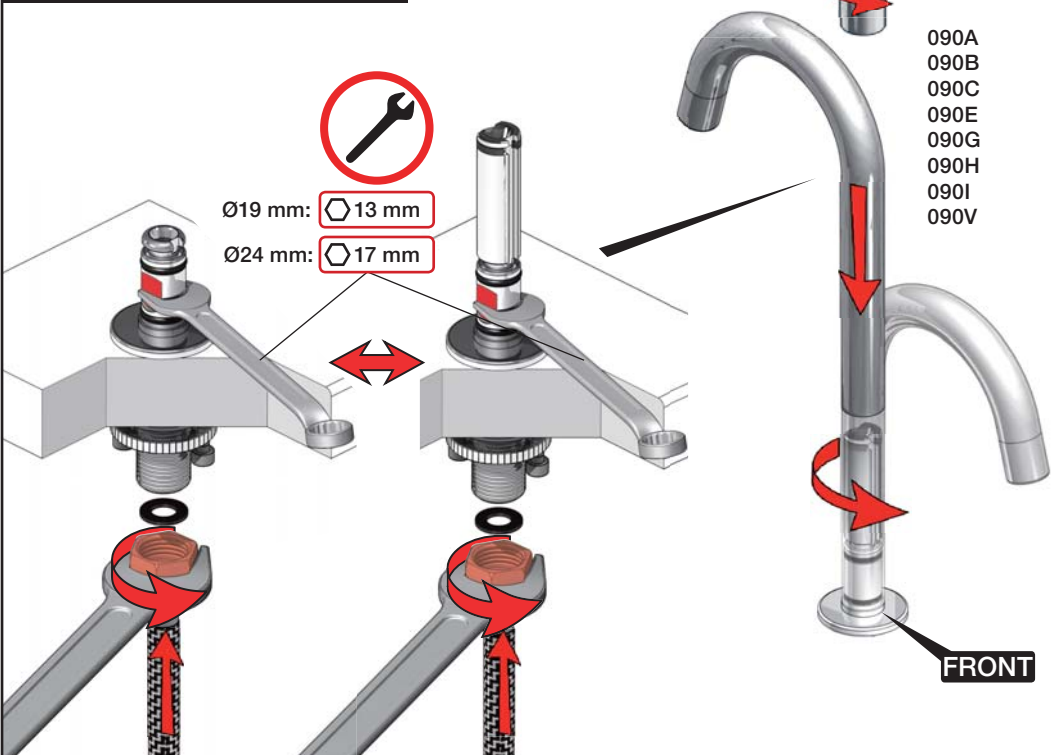
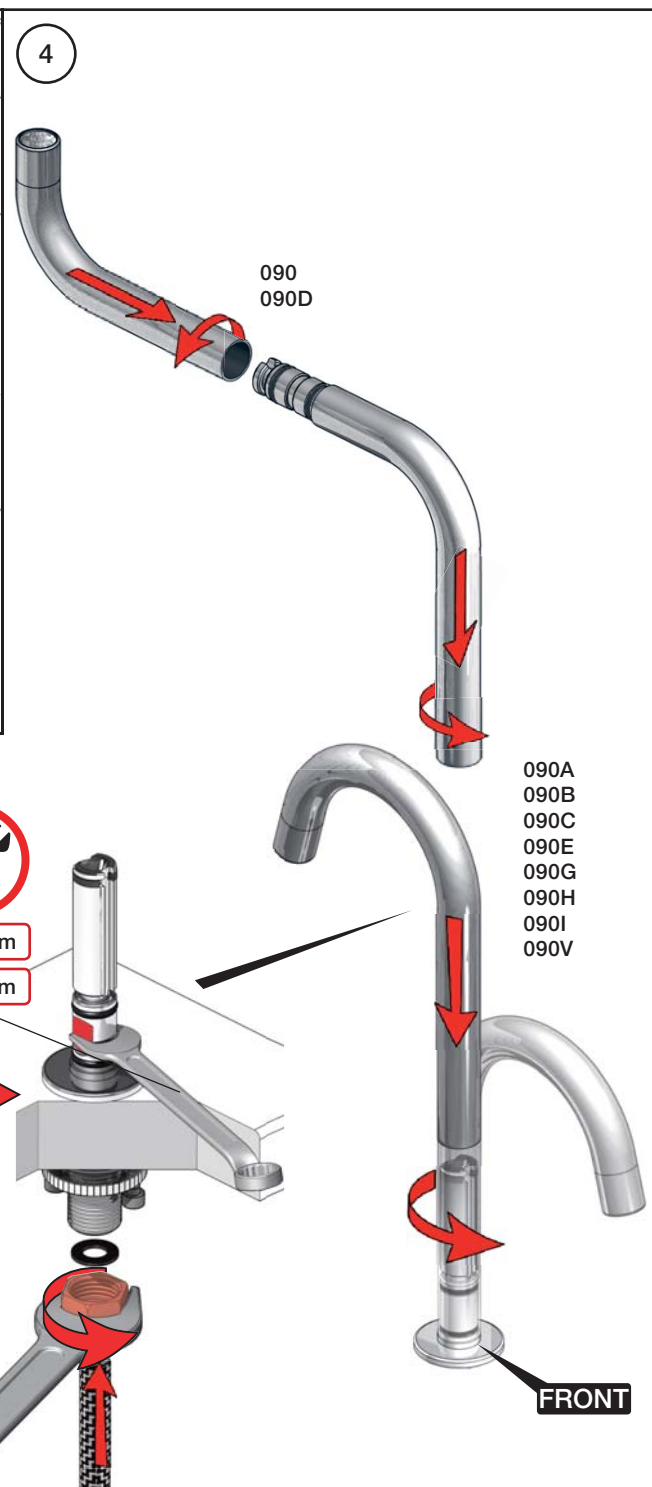
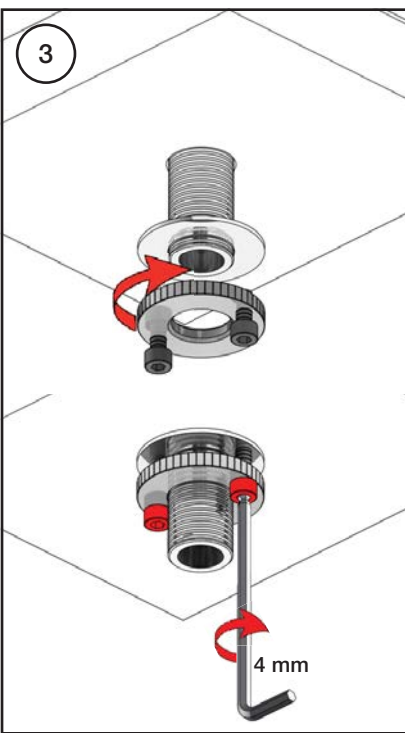


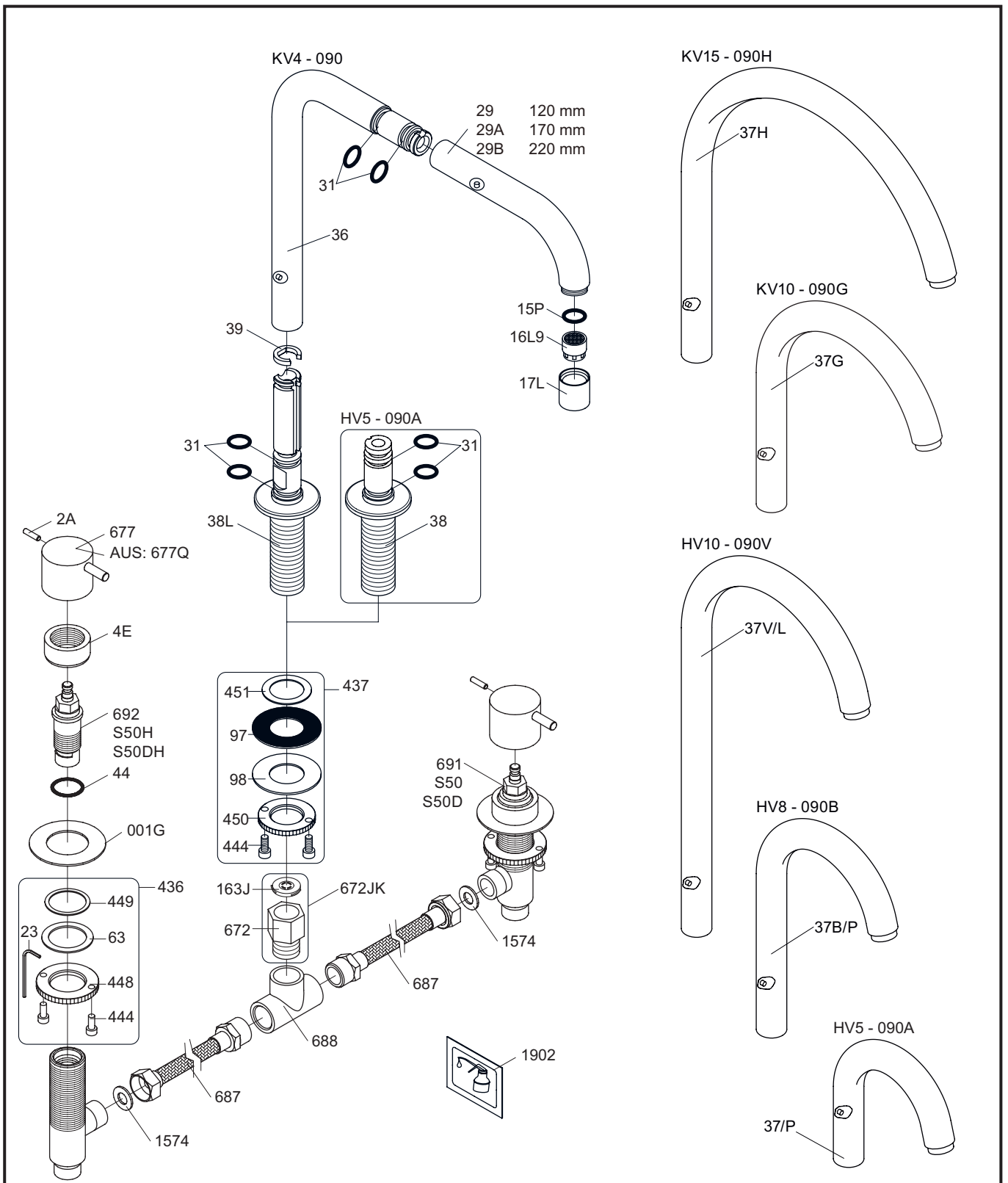
www.vola.com

vola

mnt\_090\_V3\_40999824







- |          |                                   |
|----------|-----------------------------------|
| NR.7:    | VR2A, VR23, VR677                 |
| VR090:   | VR15P, VR16L9, VR17L              |
| VR436:   | VR63, 2xVR444, VR448, VR449       |
| VR437:   | VR97, VR98, 2xVR444, VR450, VR451 |
| VR672JK: | VR163J, VR672                     |
| VR691K:  | VR23, VR691                       |
| VR692K:  | VR23, VR692                       |



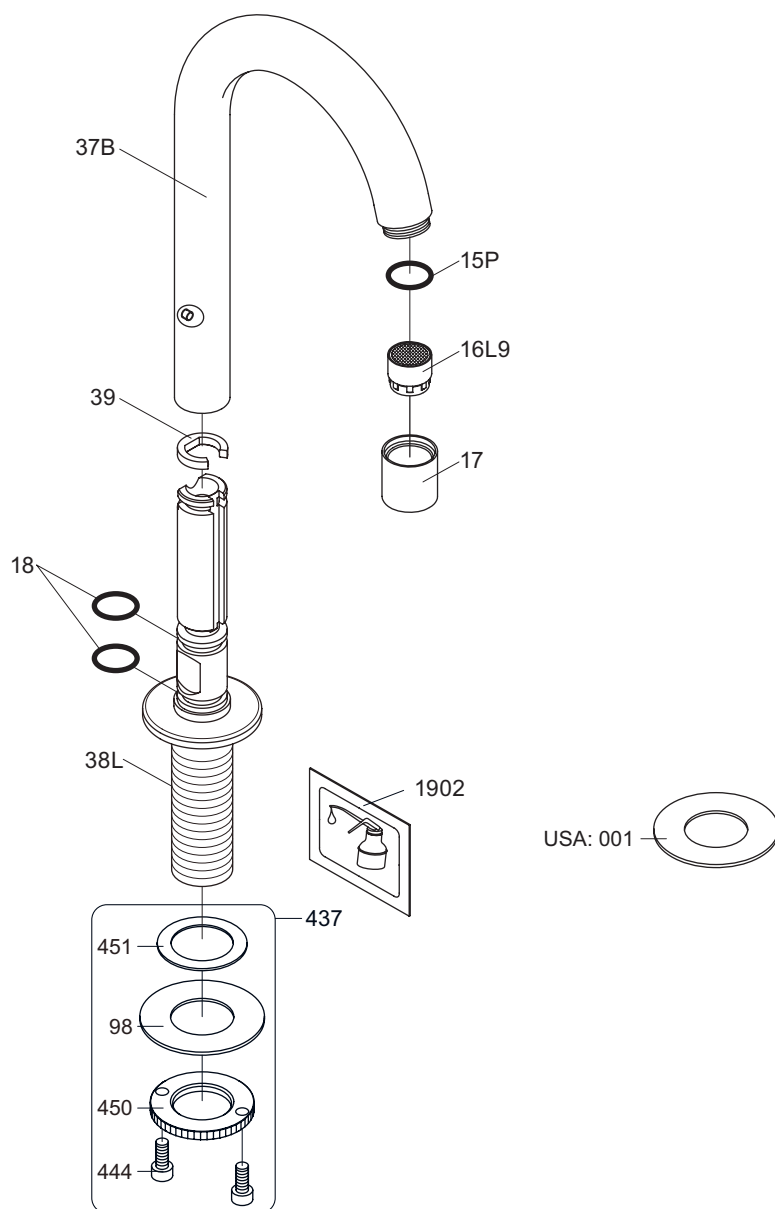
**vola**  
 Lunavej 2  
 DK-8700 Horsens  
 Tlf : + 45 7023 5500  
 sales@vola.com  
 www.vola.com

## VOLA KV4/KV10/KV15 VOLA HV5/HV8/HV10

Date  
 Apr. 21

Rev.  
 4

Sheet  
 SB 27.6



VR17L9K: VR15P, VR16L9, VR17L  
 VR437: VR98, 2xVR444, VR450, VR451



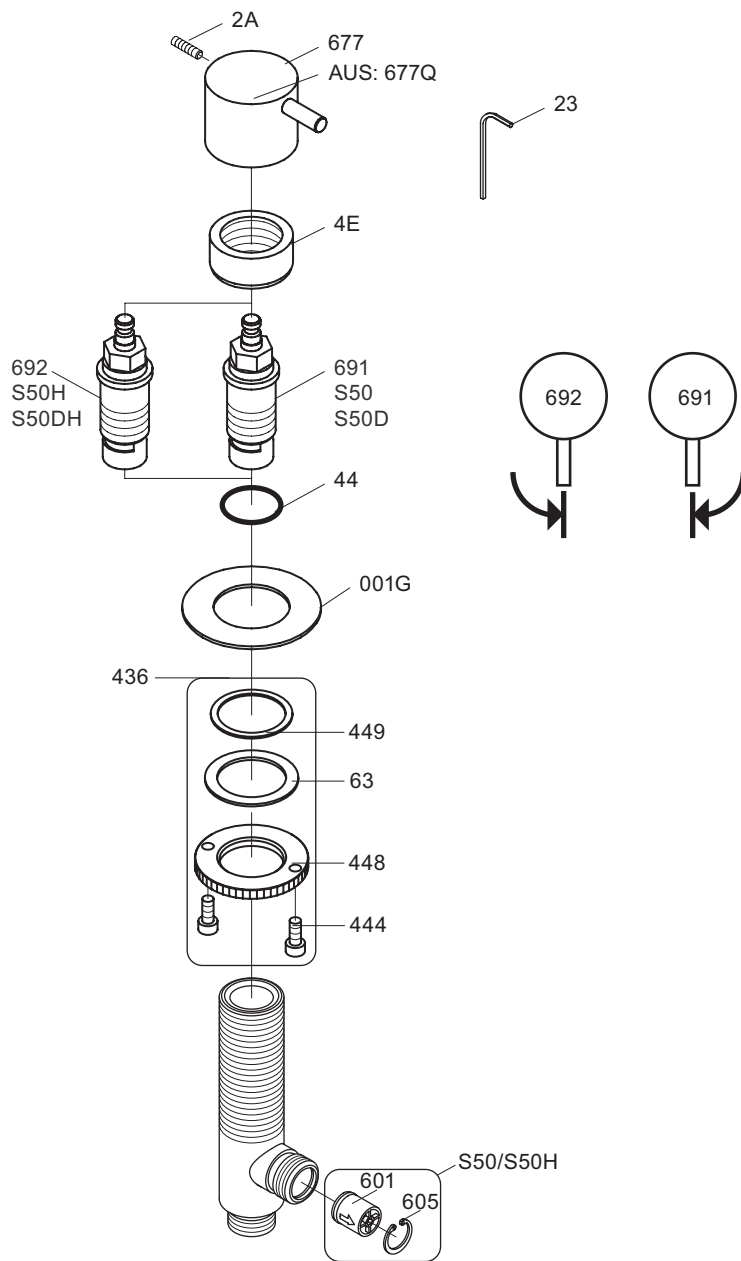
vola  
 Lunavej 2  
 DK-8700 Horsens  
 Tlf : + 45 7023 5500  
 sales@vola.com  
 www.vola.com

# VOLA 090B

Date  
 Apr. 12

Rev.  
 3

Sheet  
 SB 19.1



VR691i: VR23, VR44, VR691  
 VR692i: VR23, VR44, VR692  
 VR436: VR63, 2xVR444, VR448, VR449  
 NR.7: VR2A, VR23, VR677



**vola**  
 Lunavej 2  
 DK-8700 Horsens  
 Tlf : + 45 7023 5500  
 sales@vola.com  
 www.vola.com

**VOLA S50/S50H**  
**VOLA S50D/S50DH**

Date  
 Sep. 09

Rev.  
 2

Sheet  
 SB 31.3