

Walraven VibraTek[®] HS-1 Spring Hanger

High performance spring isolator for light suspended loads

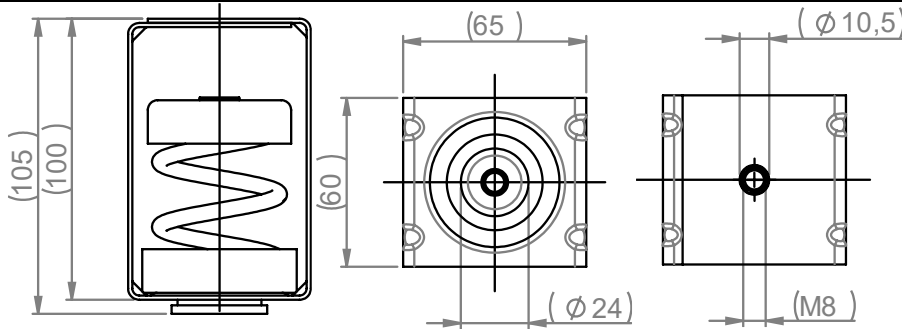
Walraven VibraTek[®] HS-1

Features and benefits



- Simple to install and does not need to be fixed to the base material
- Recommended for machinery with low working speeds above 700 RPM
- Rubber spring base cup prevents contact between housing and the spring

Technical Drawing



Applications

- Pipelines, ducts, compressors, electrical panels, in-line fans and other HVAC equipment

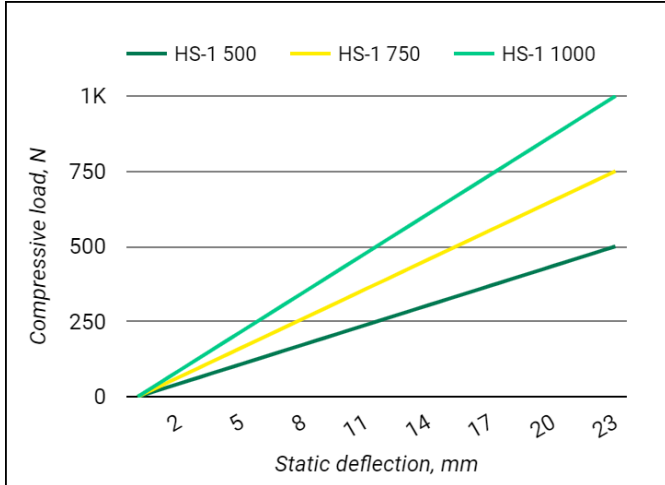
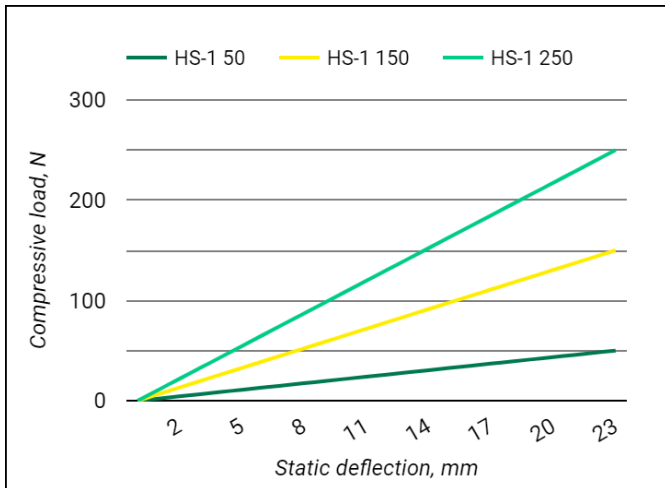
1. Product and packaging details

Article	Description	Dimension	Piece		Pack 1	
			[pcs]	EAN13	[pcs]	EAN13
2800600050	HS-1 Spring Hanger	50/M8	1	8719942045919	36	8719942045926
2800600150	HS-1 Spring Hanger	150/M8	1	8719942045940	36	8719942045957
2800600250	HS-1 Spring Hanger	250/M8	1	8719942045971	36	8719942045988
2800600500	HS-1 Spring Hanger	500/M8	1	8719942046008	36	8719942046015
2800600750	HS-1 Spring Hanger	750/M8	1	8719942046039	36	8719942046046
2800601000	HS-1 Spring Hanger	1000/M8	1	8719942046060	36	8719942046077

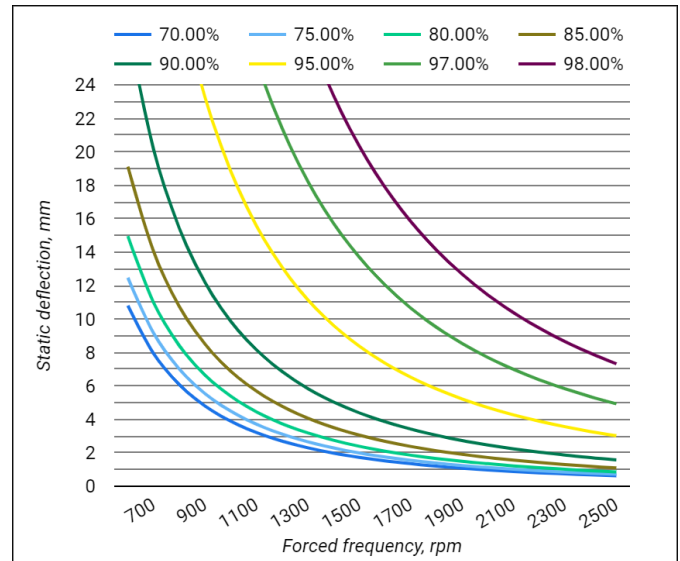
2. Performance data

Article	Description	Dimension	Max. Deflection	Min. load	Max. load	Min. optimal load	Max. optimal load
			[mm]	[N]	[N]	[N]	[N]
2800600050	HS-1 Spring Hanger	50/M8	23mm	5	50	10	45
2800600150	HS-1 Spring Hanger	150/M8	23mm	20	150	30	140
2800600250	HS-1 Spring Hanger	250/M8	23mm	30	250	50	230
2800600500	HS-1 Spring Hanger	500/M8	23mm	50	500	100	450
2800600750	HS-1 Spring Hanger	750/M8	23mm	80	750	150	690
2800601000	HS-1 Spring Hanger	1000/M8	23mm	100	1000	200	920

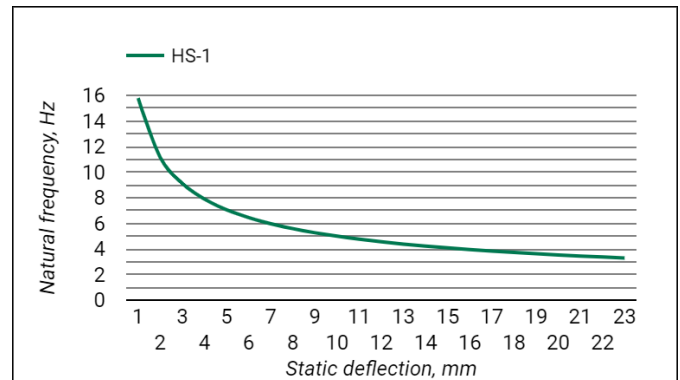
2.1 Static deflection



2.2 Isolation efficiency



2.3 Natural frequency



3. Dynamic properties

Description	Value
Damping factor	0.005
Average ratio $K_x / K_z = K_y / K_z$	≈ 1.0
Maximum transient overload % on maximum load	50 %
Working temperature	-90° C to +150 °C