



see what Delta can do™

# TUB AND SHOWER FAUCET TRIM

- Pivotal™ Bath Collection
- Valve Only (T17099 Series)
- Shower Only (T17299 Series)
- Tub/Shower (T17499 Series)

## FEATURES:

- Monitor® 17 Series pressure balanced bath mixing valve trim
- Five-setting H2OkinetiC® Technology shower head
- Lumicoat™ Finish (brilliance finishes only) on model numbers with "PR"
- Lumicoat™ Finishes easily wipe clean without cleaners and chemicals on the products most commonly touched areas

## STANDARD SPECIFICATIONS:

- Maintains a balanced pressure of hot and cold water even when a valve is turned on or off elsewhere in the system
- Max. flow rate 1.75 gpm @ 80 psi, 6.6 L/min @ 550 kPa
- Tub port maximum flow rate 6.2 gpm @ 60 psi with R10000-UNBX
- Shower arm overall horizontal length = 5 1/2" (138 mm), including threaded ends
- For use with MultiChoice® Universal rough valve body (R10000 Series)
- Back-to-back installation capability
- Solid brass forged body
- Lever volume control handle; temperature adjustment dial
- Field adjustable to limit handle rotation into hot water zone
- Maximum dial rotation adjustable between 90° and 180°
- All parts replaceable from the front of the valve
- Red/blue pad print temperature indicators on temperature adjustment dial
- Stem extension kit RP77992 can be ordered to allow for an additional 1 3/4" wall thickness. RP77992 ships with chrome escutcheon screws. For special finishes also order RP12630 escutcheon screws in desired finish.

## WARRANTY

- Parts and Finish - Lifetime limited warranty; or for commercial purchasers, 10 years for multi-family residential (apartments and condominiums) and 5 years for all other commercial uses, in each case from the date of purchase.
- Electronic Parts and Batteries (if applicable) - 5 years from the date of purchase; or for commercial purchasers, 1 year from the date of purchase. No warranty is provided on batteries.

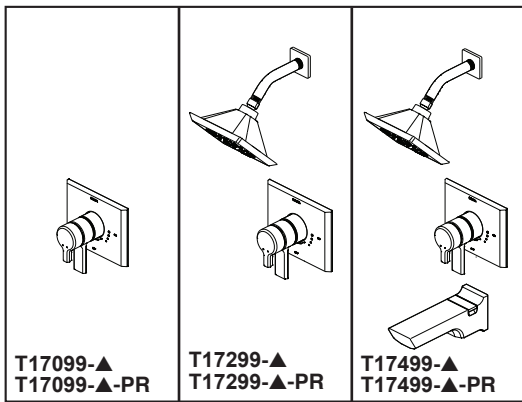


## COMPLIES WITH:

- ASME A112.18.1 / CSA B125.1
- ASSE 1016
- Indicates compliance to ICC/ANSI A117.1 - Valve control only
- EPA WaterSense® - Applies to T17299, T17299-PR, T17499, T17499-PR and 52664 only

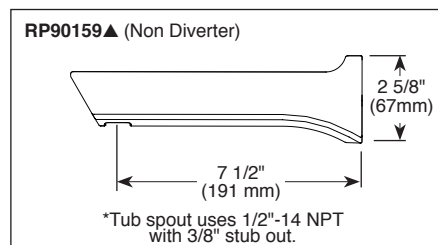
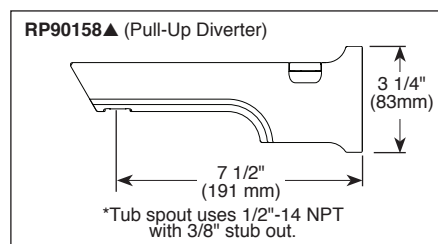
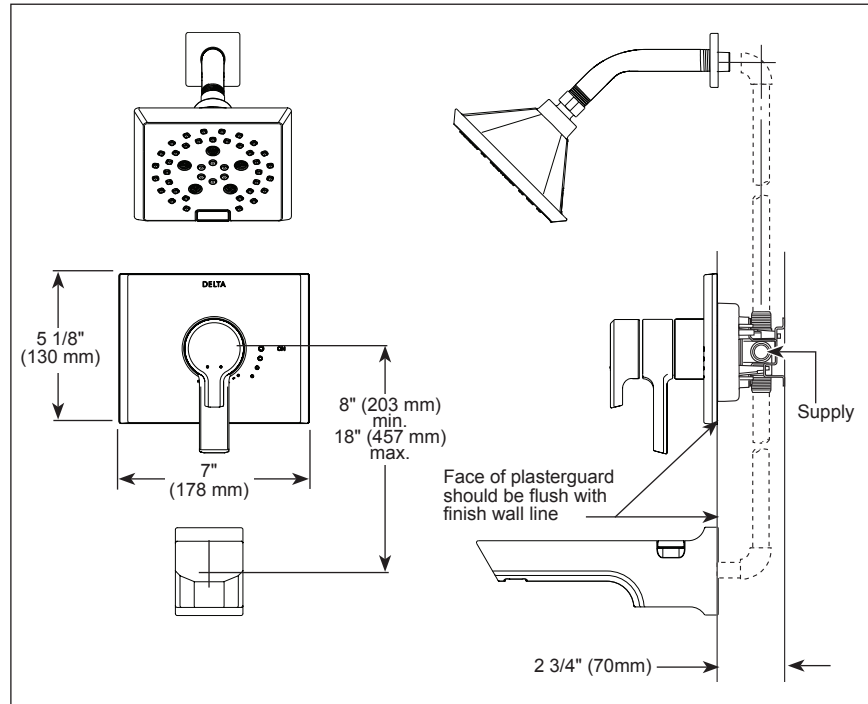
## Delta Faucet Company

55 E 111th Street, Indianapolis, Indiana 46280  
 350 South Edgeware Road, St. Thomas, ON N5P 4L1  
 © 2021 Delta Faucet Company



Submitted Model No.: \_\_\_\_\_

Specific Features: \_\_\_\_\_



▲Designate Proper Finish Suffix

**52664▲ 1.75 GPM H<sub>2</sub>O Shower Head**

- Full Body Spray
- H2OkinetiC Spray
- Pause
- Full Spray w/Massage
- Massage Spray

Delta reserves the right (1) to make changes in specifications and materials, and (2) to change or discontinue models, both without notice or obligation. Dimensions are for reference only. See current full-line price book or www.deltafaucet.com for finish options and product availability.