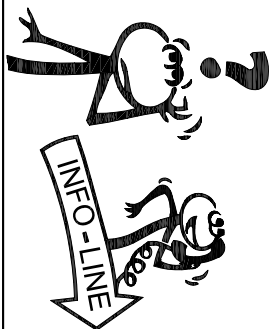




### Safety Instructions



0, 1, 2, 3, 4, 5b, 6, 7, 8, 9, 10, 11, 12, 13, 14  
15, 16, 20, 21, 22, 23, 24



**Paulmann Licht GmbH**  
Quezinger Feld 2  
D-31832 Springe  
**www.Paulmann.com**  
+49 (0) 5041 998 389  
Mo.-Do. ☎ ☎ ☎ ☎ ☎  
Fr. ☎ ☎ ☎ ☎ ☎



1X

8X



4X

8X

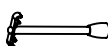


4X(35W)

4X

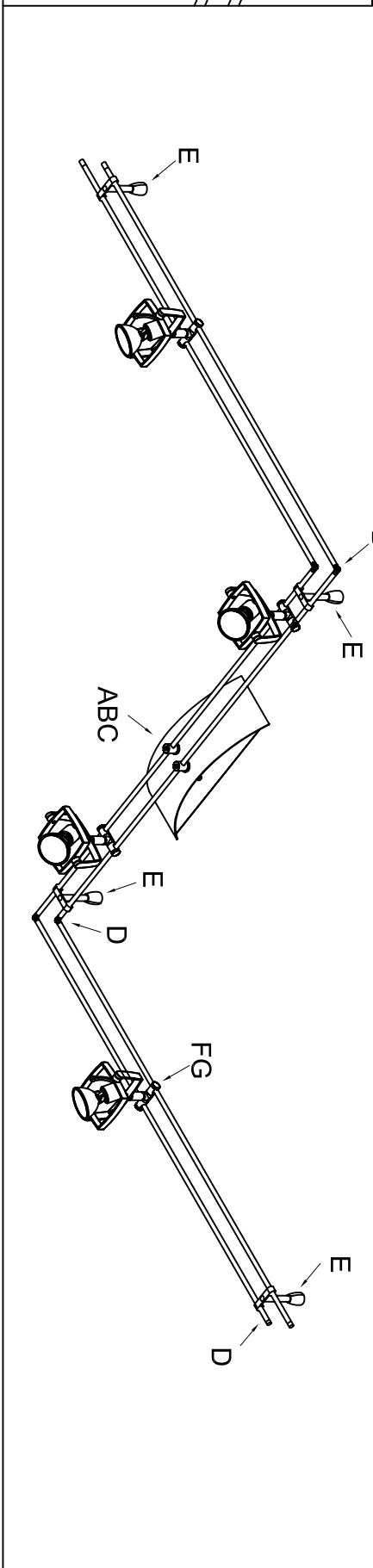
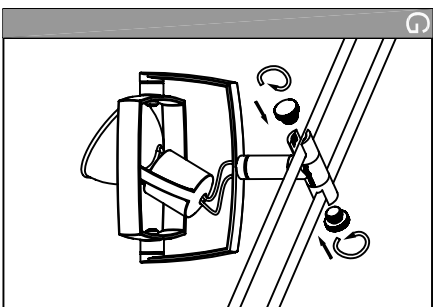
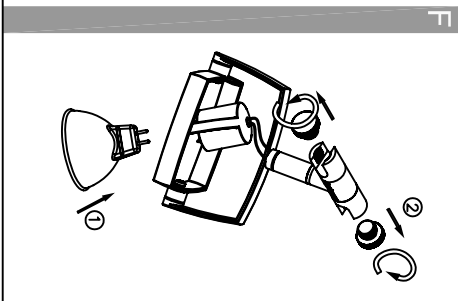
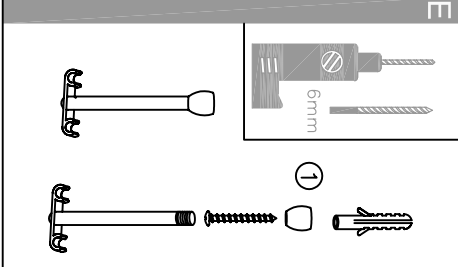
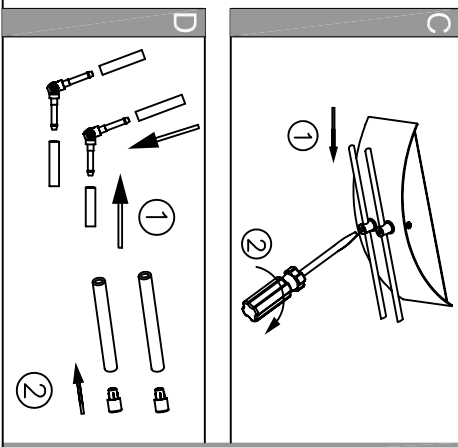
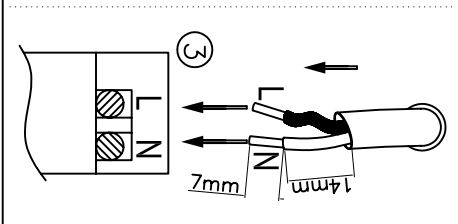
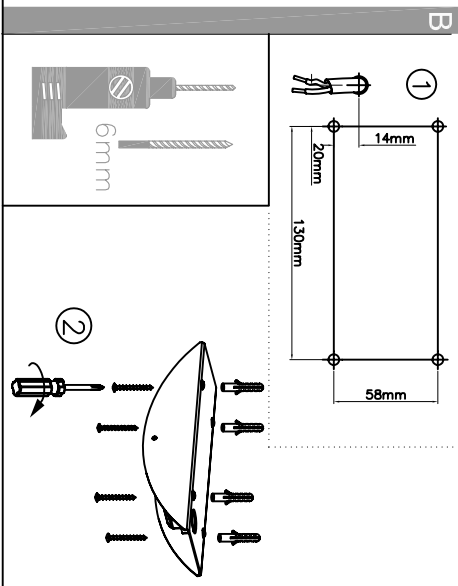
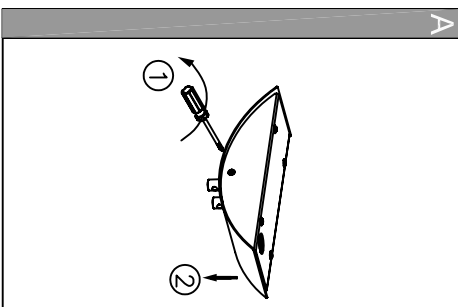
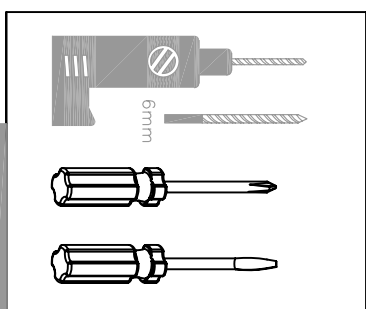


4X

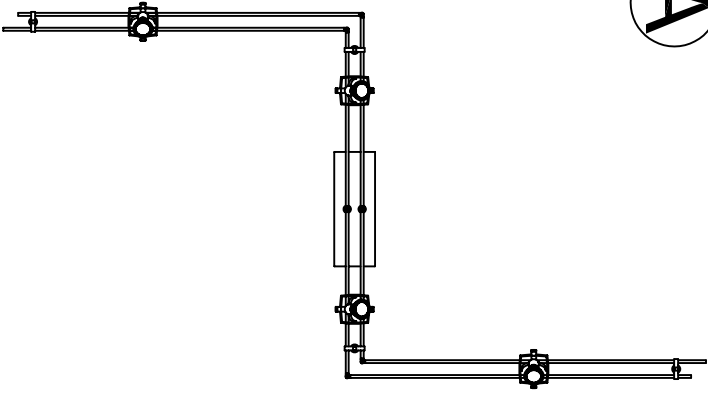


4X

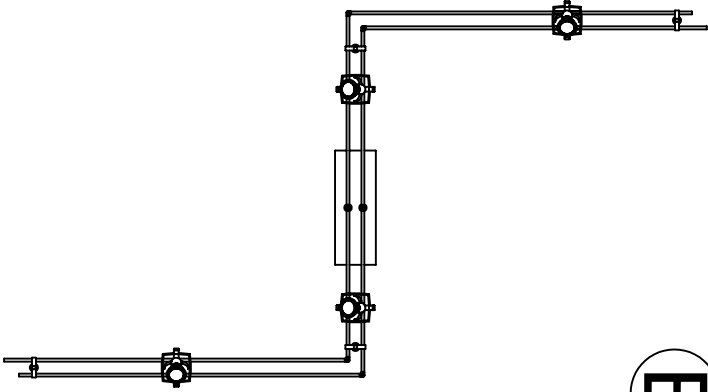
6X



A



B



C

