



IB RUBINETTI

Collection

INDUSTRIA

Article

ID320

Description

Wall mounted spout

Box Dimensions

150 x 190 x 98 mm

Weight

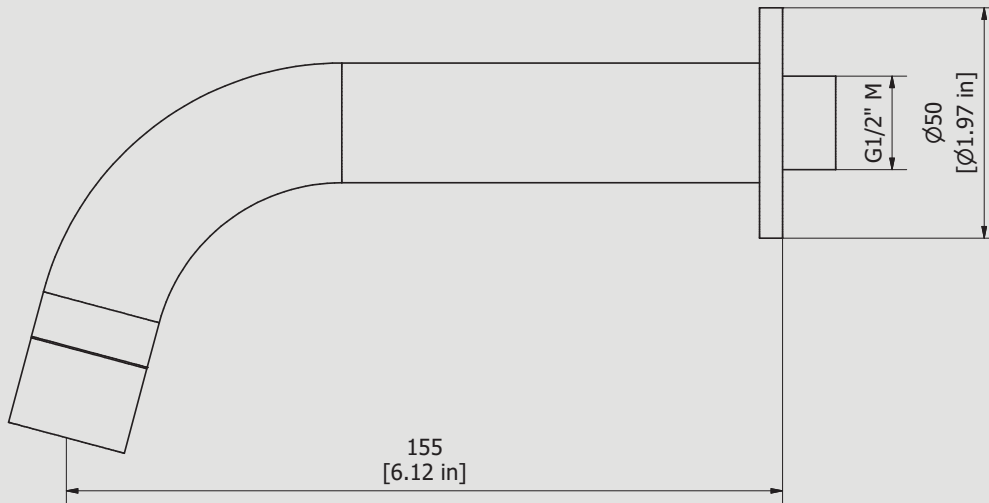
0.2 kg



Finishes

- **CC**
CHROME
- **CF**
BLACK CHROME
- **OO**
GOLD
- **BB**
ANTIQU
BRONZE
- **SS**
BRUSHED
NICKEL
- **CS**
BRUSHED
BLACK
CHROME
- **BO**
MATT
WHITE
- **NP**
MATT
BLACK
- **IS**
BRUSHED
PALE
GOLD
- **OS**
BRUSHED
GOLD
- **II**
PALE
GOLD
- **RR**
ANTIQU
COPPER
- **RS**
ROSE
GOLD
- **ON**
NATUR
BRASS
- **SR**
BRUSHED
ROSE
GOLD
- **PL**
PLATINUM

Dimensions



Cartridge

Threaded fitting

G1/2" male

Aerator

M24x1

Flow Rate (+/-10%)

**1 BAR
6.5 l/min**

**2 BAR
8 l/min**

**3 BAR
8 l/min**

Production

Main body is a single hot stamped pieces

Material

**BRASS
According to CuZn42 (CW510L)
Max Lead content: 0.2%**

IB RUBINETTERIE s.p.a
via dei Pianotti 3/5
25068 Sarezzo (BS) - Italy -

T. +39 030 802101
F. +39 030 803097
info@ibrubinetterie.it

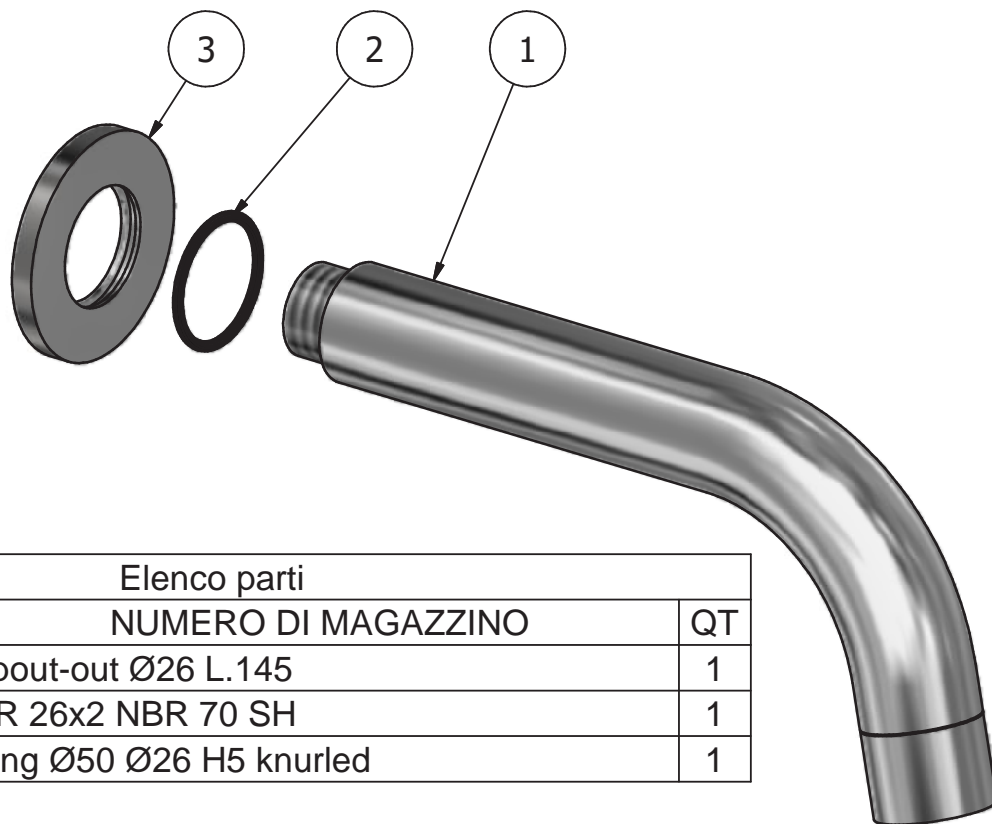
P.IVA 01785230986
capitale sociale
€420.000,00 i.v.

WWW.IBRUBINETTI.IT





IB RUBINETTI



Elenco parti			
EL	CODICE	NUMERO DI MAGAZZINO	QT
1	AQ0013833	Spout-out Ø26 L.145	1
2	AQ0009421	OR 26x2 NBR 70 SH	1
3	AC0012849	Ring Ø50 Ø26 H5 knurled	1

WARRANTY

All IB Rubinetterie SpA products are warranted for 10 years from the date of purchase, for the following cases:

- Defects of casting, porosity and chrome plating.
- Operating defects caused by incorrect fabrication.

The warranty provides for repair or replacement of products with fabrication defects recognized by our technical office. There is no other type of compensation anche the merchandise must be returned FOB our warehouse. The warranty only cover surface defects (scatches, dings, etc.) on fitting that have not been installed and used, returned in its original packaging with all components. O-ring, gasket seals and components subject to wear proportional to use are warranted for 2 years.

The warranty is void in the following cases:

Error installing and putting the product into service.

Deterioration of finisched surfaces due to use of cleaning products containing acids or abrasive substances. Deterioration of surface with finishes other than chrome plating. Their durability is, in fact, dependent on the user's care and gentleness of use.

Deterioration of the fitting due incorrect installation.

Improper repairs and maintenance performed without the company's prior authorization.

The warranty from IB Rubinetterie SpA is not renewable.

Cleaning

We recommended cleaning the finish surfaces with water and soap, using a soft cloth.

Do not use detergents that cointain hydrochloric acid or abrasive substances.

