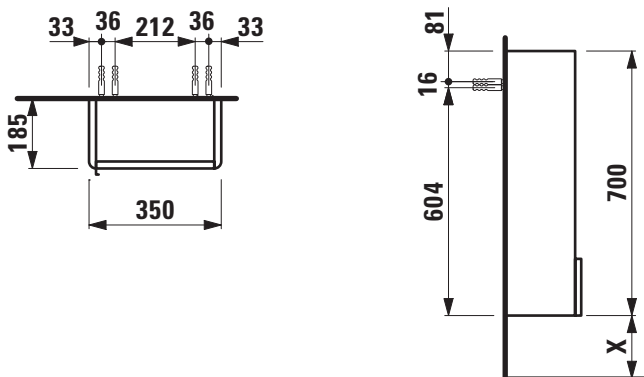




### TECHNICAL DATA

Order no.	40260.2 / door hinge right	Mounting acc. incl.	Installation set for furniture, order no. 49302.1
Dimensions (WxHxD)	350 x 700 x 185 mm	Mounting information	The walls installed on must meet the requirements of the furniture in terms of weight and the supplied fastening elements. If this cannot be guaranteed another method of installation needs to be chosen.
Specification	<p>Body/Front</p> <p>White matt: Body MDF with PVC foil (post-forming) Front MDF with PVC foil and ABS edges</p> <p>White glossy, Traffic grey: Body MDF with PET foil (post-forming) Front MDF with PET foil and ABS edges</p> <p>Elm light/dark: Body particle board with CPL foil Front melamine coated particle board with ABS edges</p> <p>anodized aluminium handle bar 1 door (soft-close mechanism) 2 glass shelves (adjustable)</p>	Colours	<p>260 – White matt</p> <p>261 – White glossy</p> <p>262 – Light elm</p> <p>263 – Dark brown elm</p> <p>266 – Traffic grey</p> <p>999 – 39 other lacquered colours on request</p>
Weight	10,5 kg		

### TECHNICAL DRAWINGS / S 1 : 20



X = The exact height must be set during installation.