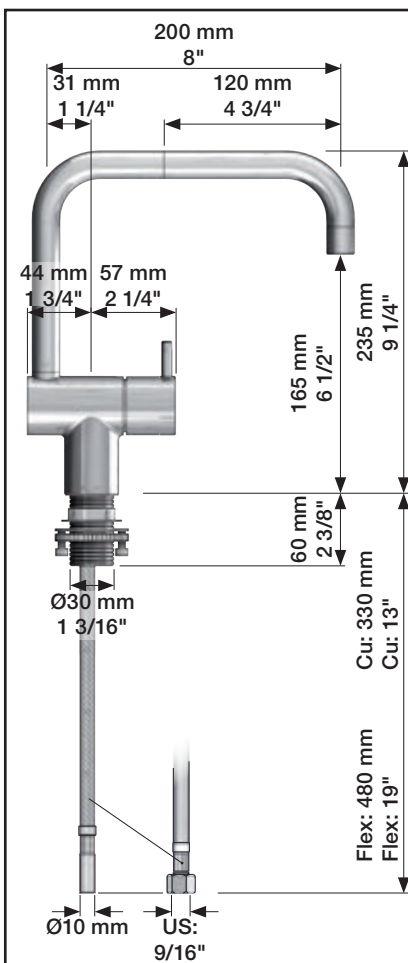
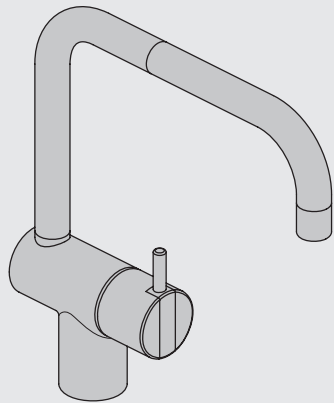


VOLA KV1


Fitting instruction
 Montageanleitung
 Monteringsvejledning
 Monteringsvægledning
 Montage hanleiding
 Manuel de montage

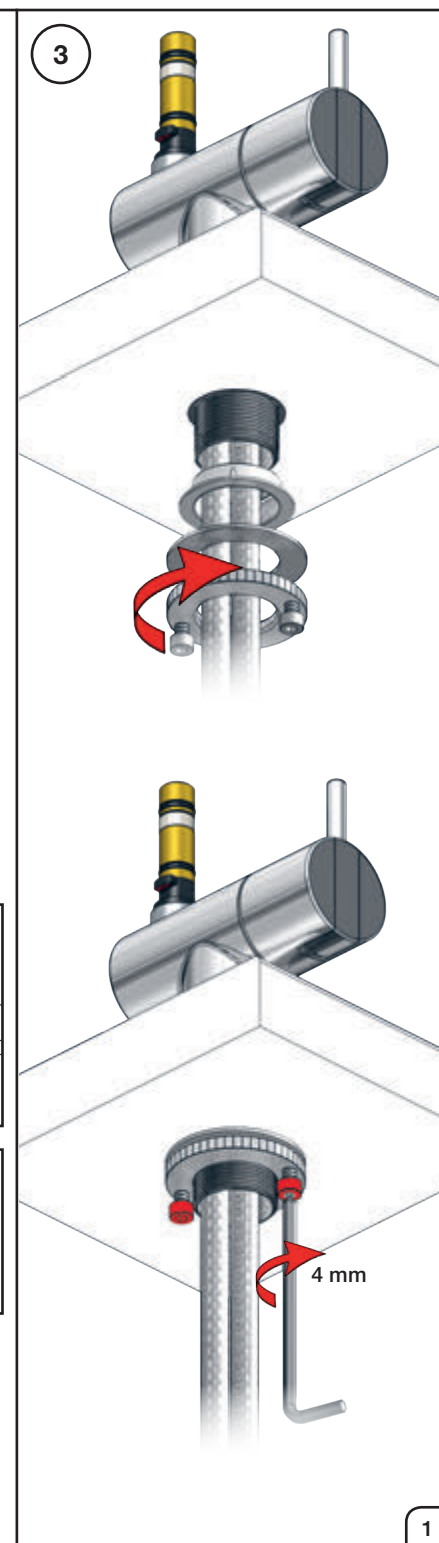
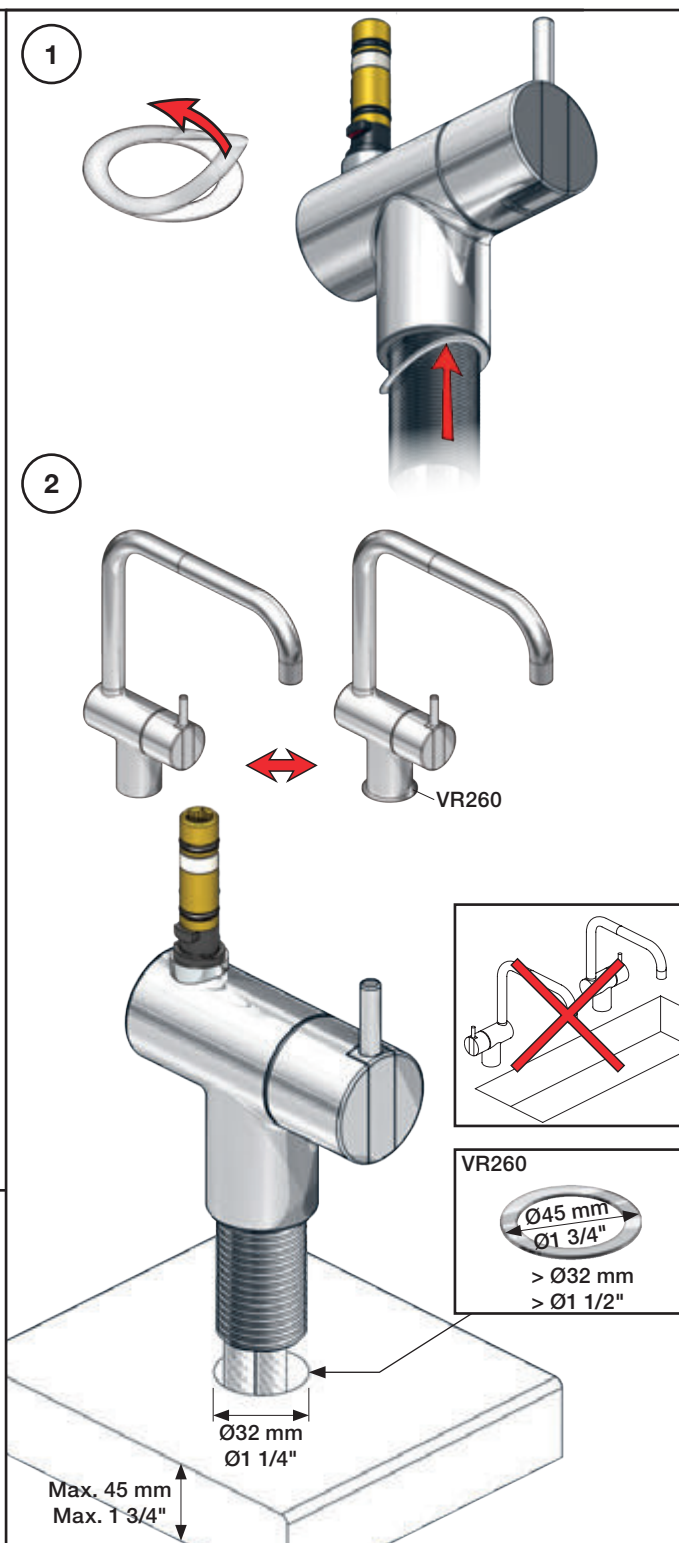
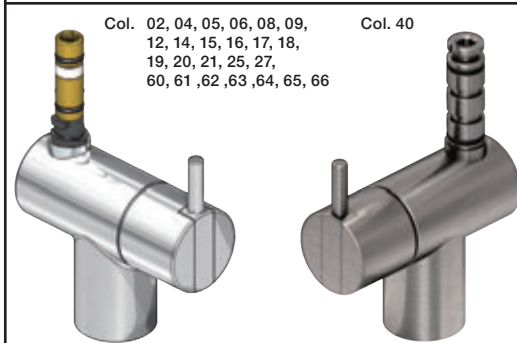
 **GODKENDT
 TIL DRILLEKAVAND**
 04/00019
 04/00021



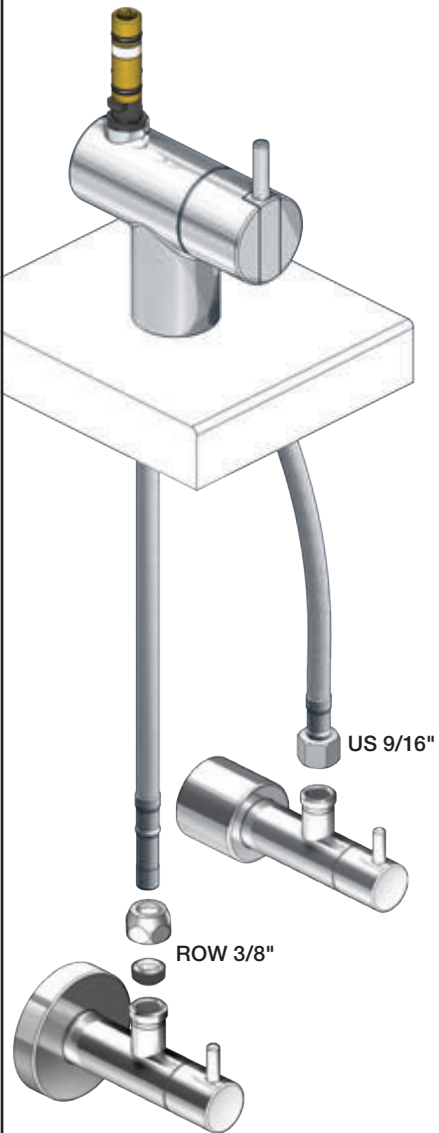
Data, 3 Bar /43.5 Psi:

	l/min.	Gal/min.
KV1:	9,0	2.4
KV1US:	4,5	1.2

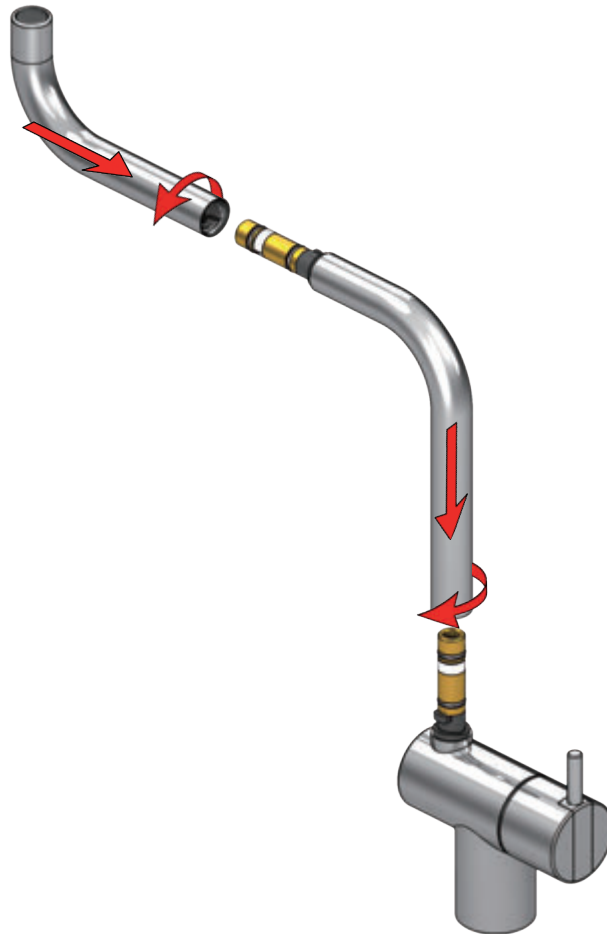
 Max. 65°C, 150°F



4

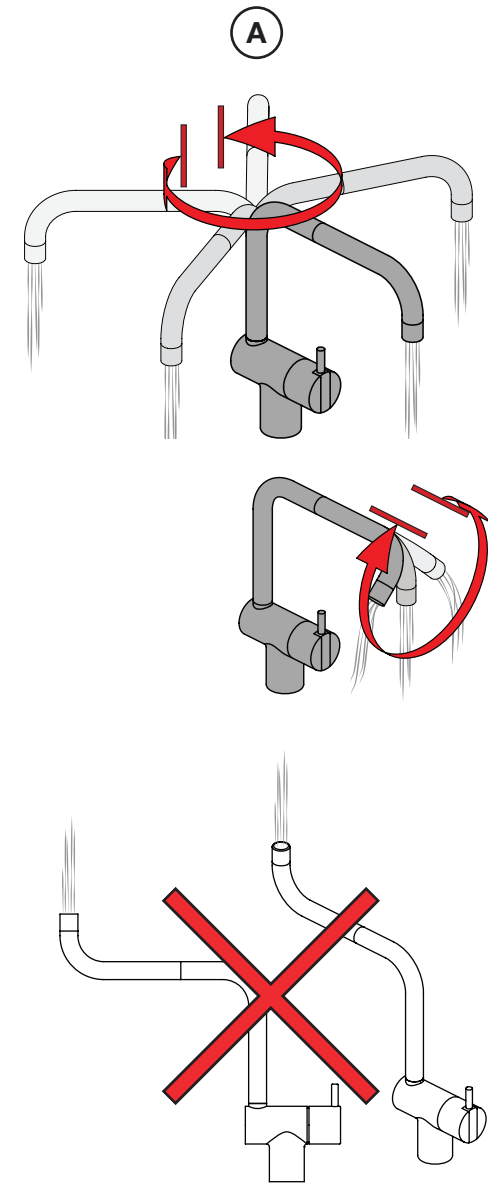


5

Col. 02, 04, 05, 06, 08, 09, 12, 14, 15, 16, 17, 18,
19, 20, 21, 25, 27, 60, 61, 62, 63, 64, 65, 66

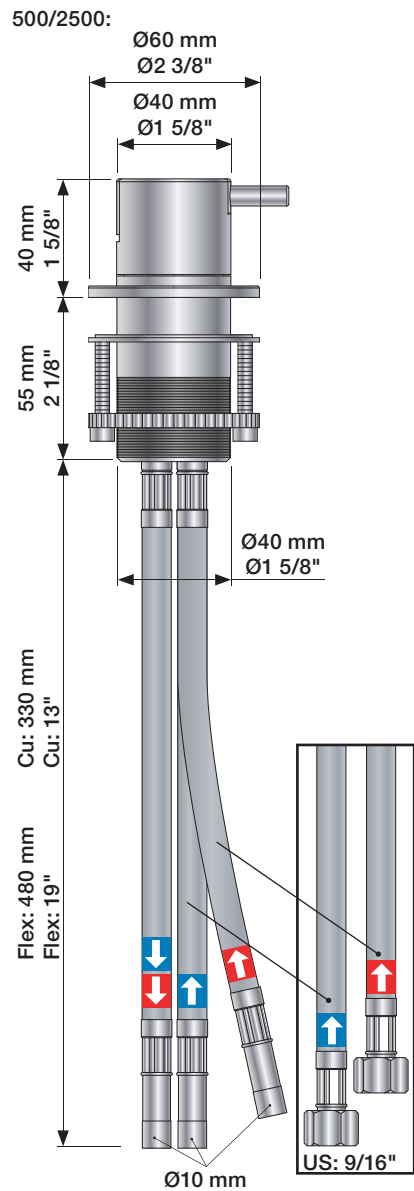
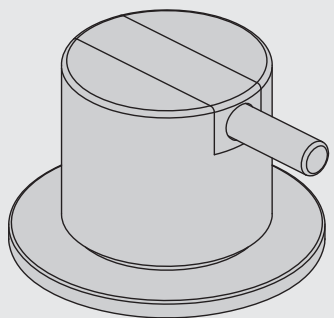
5a

Col. 40

Operation
Bedienung
BetjeningBruk
Bediening
Fonctionnement

VOLA 500, 590, 500T1
 VOLA 2500
 VOLA SC1, SC3, SC5, SC7, SC9, SC10, SC12

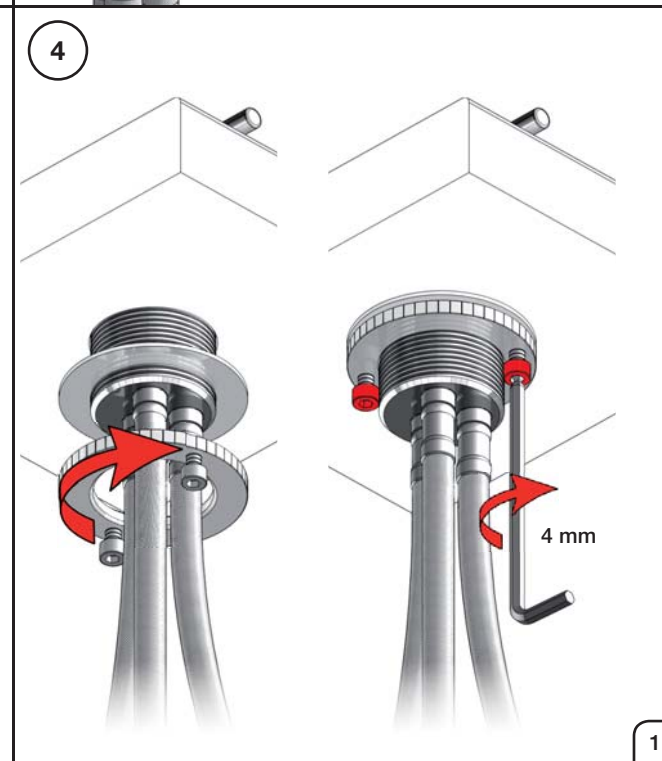
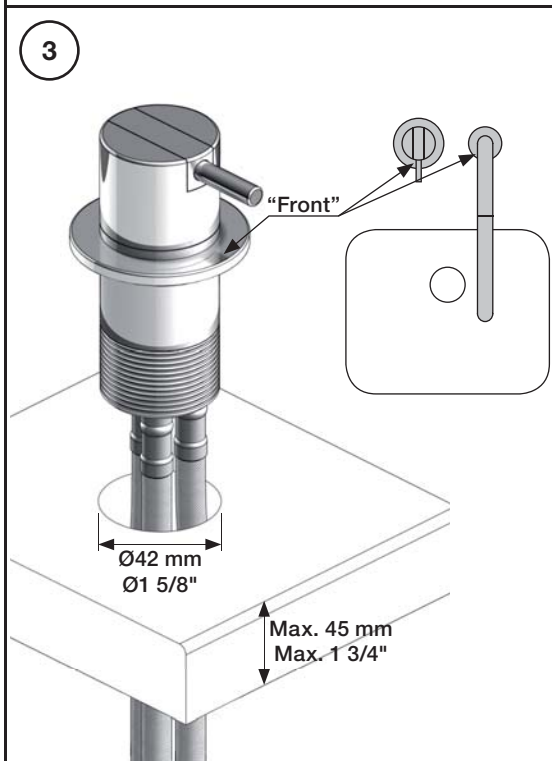
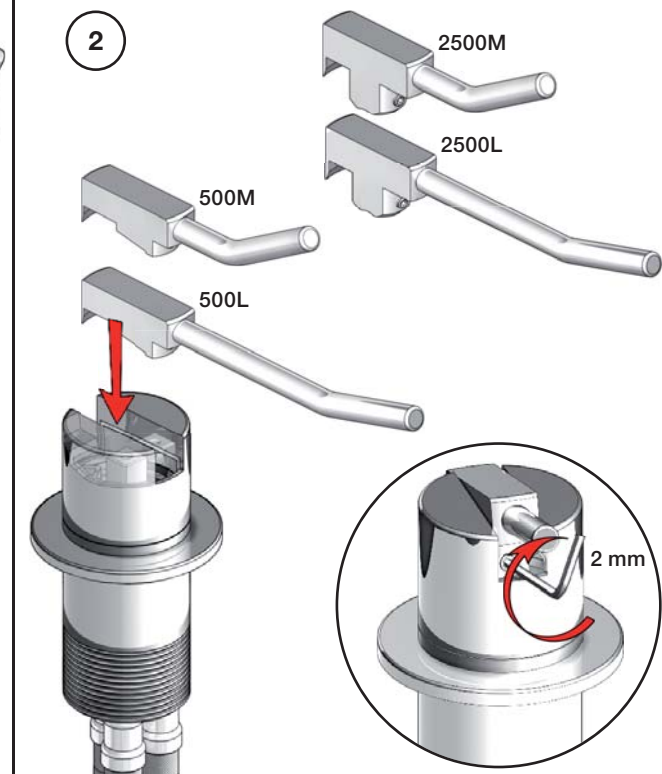
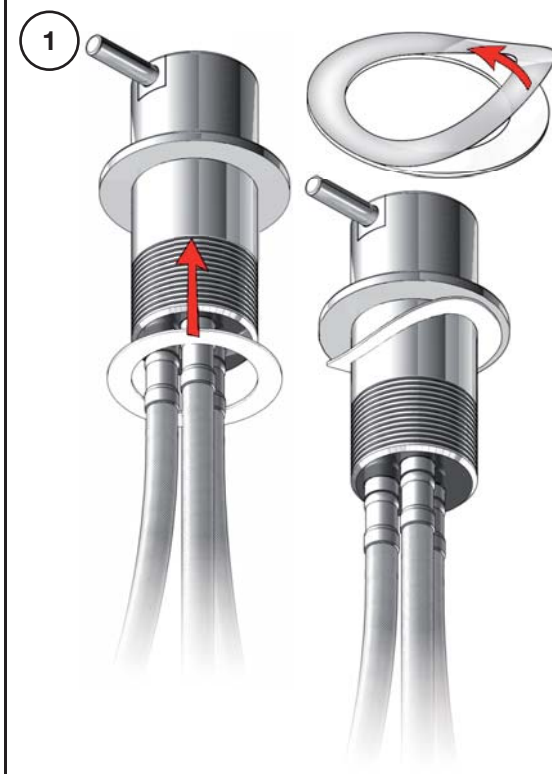
Fitting instruction
 Montageanleitung
 Monteringsvejledning
 Monteringsvægledning
 Montage hanleiding
 Manuel de montage

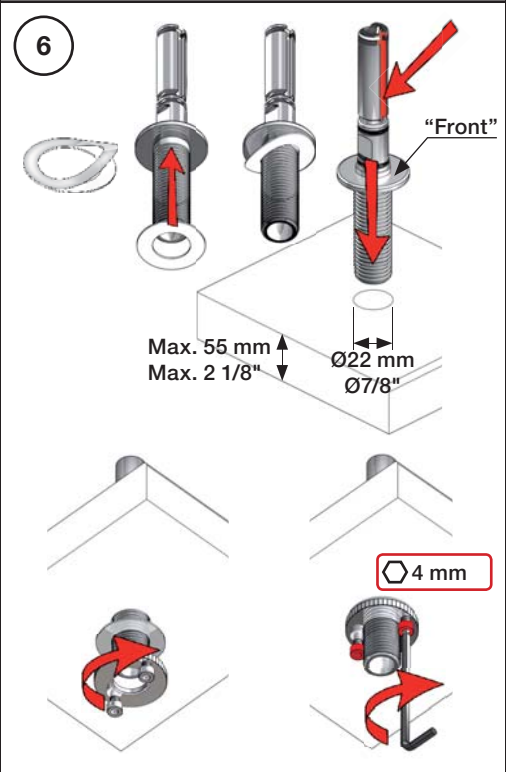


Data, 3 Bar /43.5 Psi:

	l/min.	Gal/min.
500:	14,5	3.8
590:	9,0	2.4
500-T1:	11,0	2.9
2500:	18,7	4.9
SC1:	18,7	4.9
SC5, 7:	18,0	4.8
SC9:	11,0	2.9

Max. 65°C, 150°F

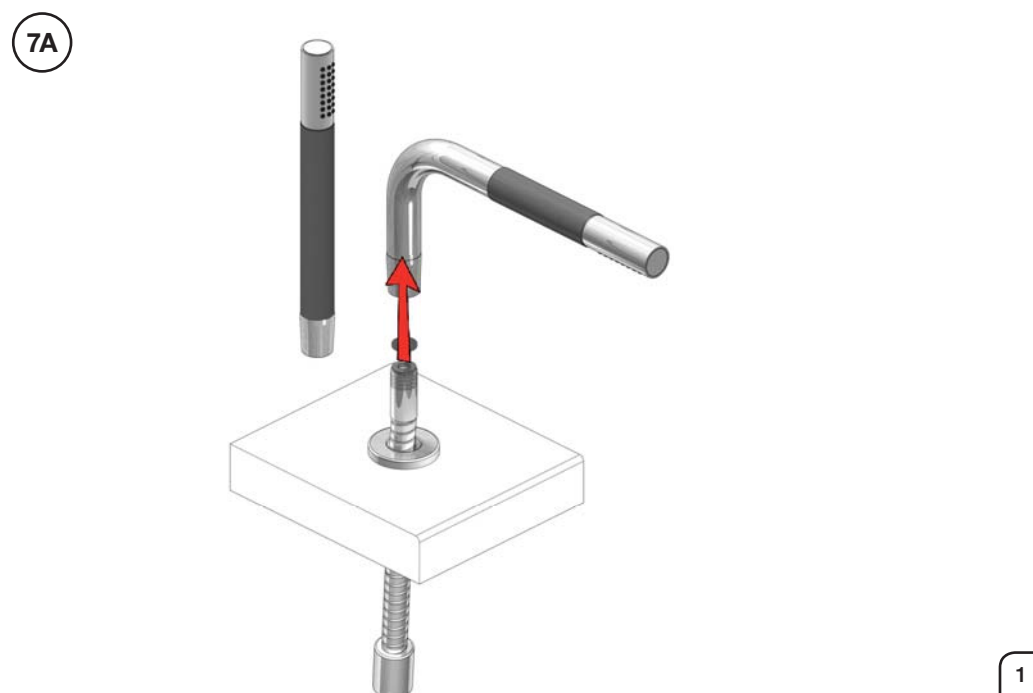
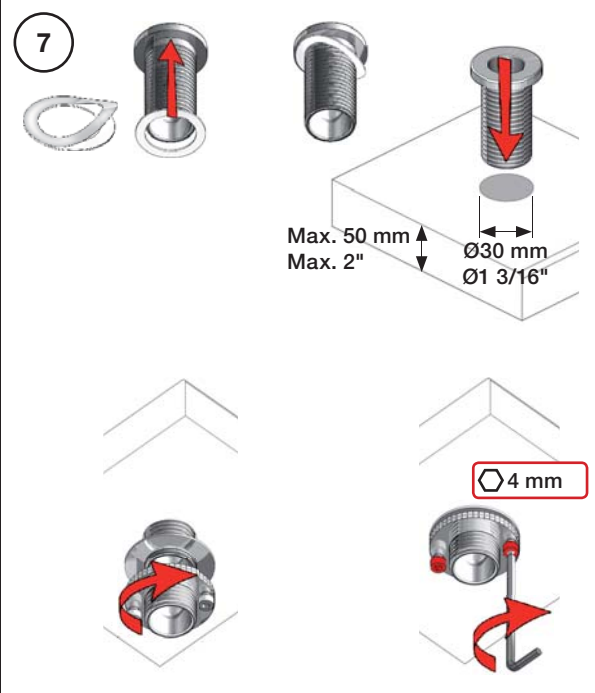
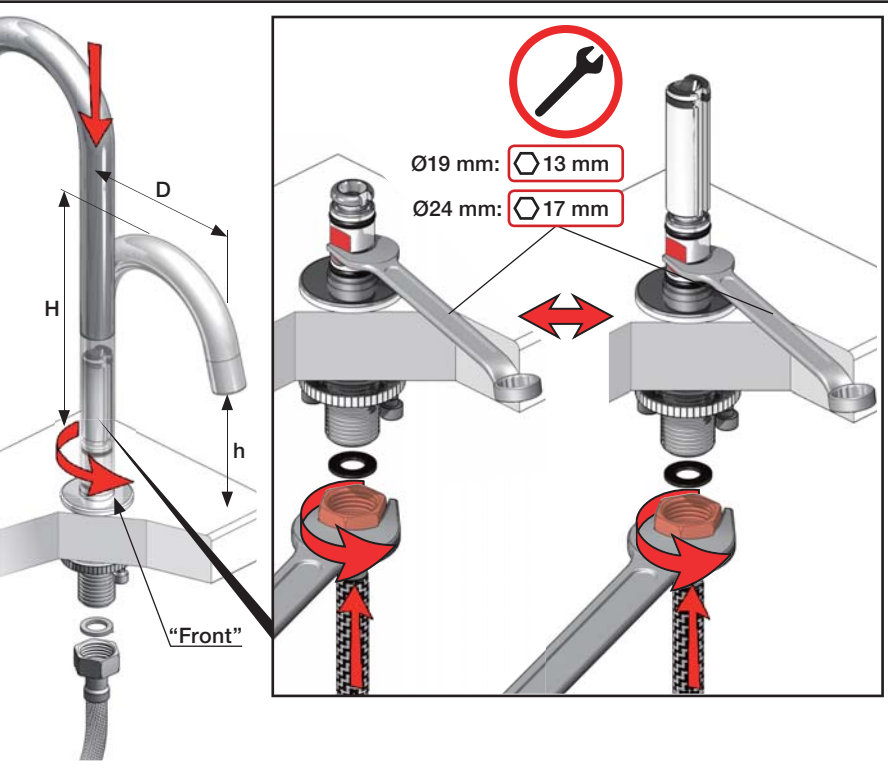




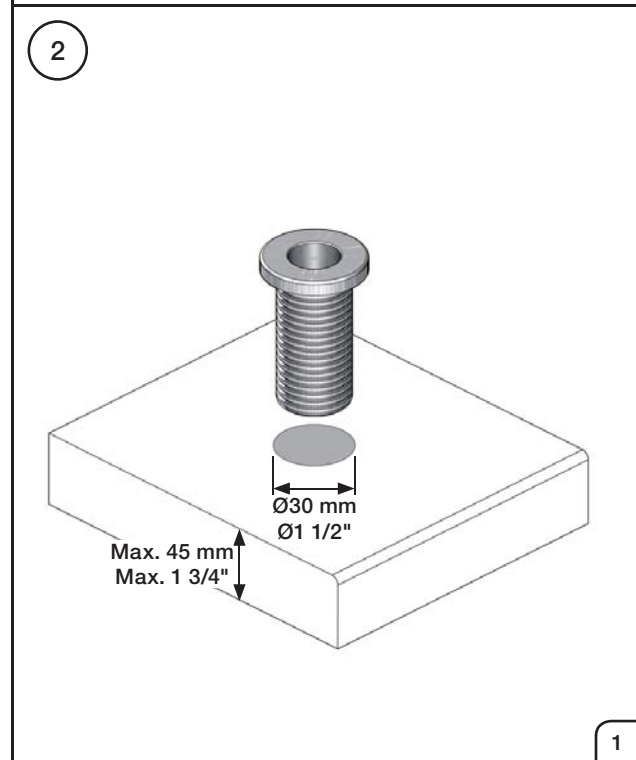
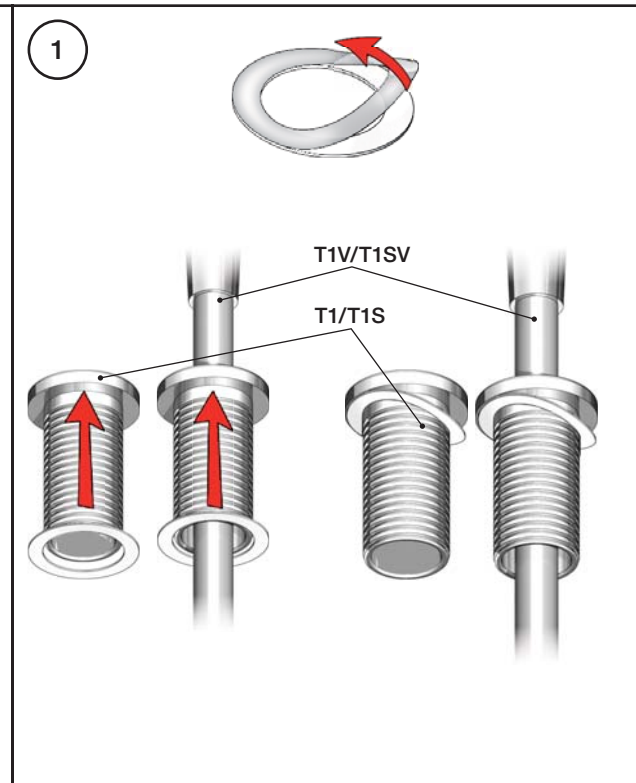
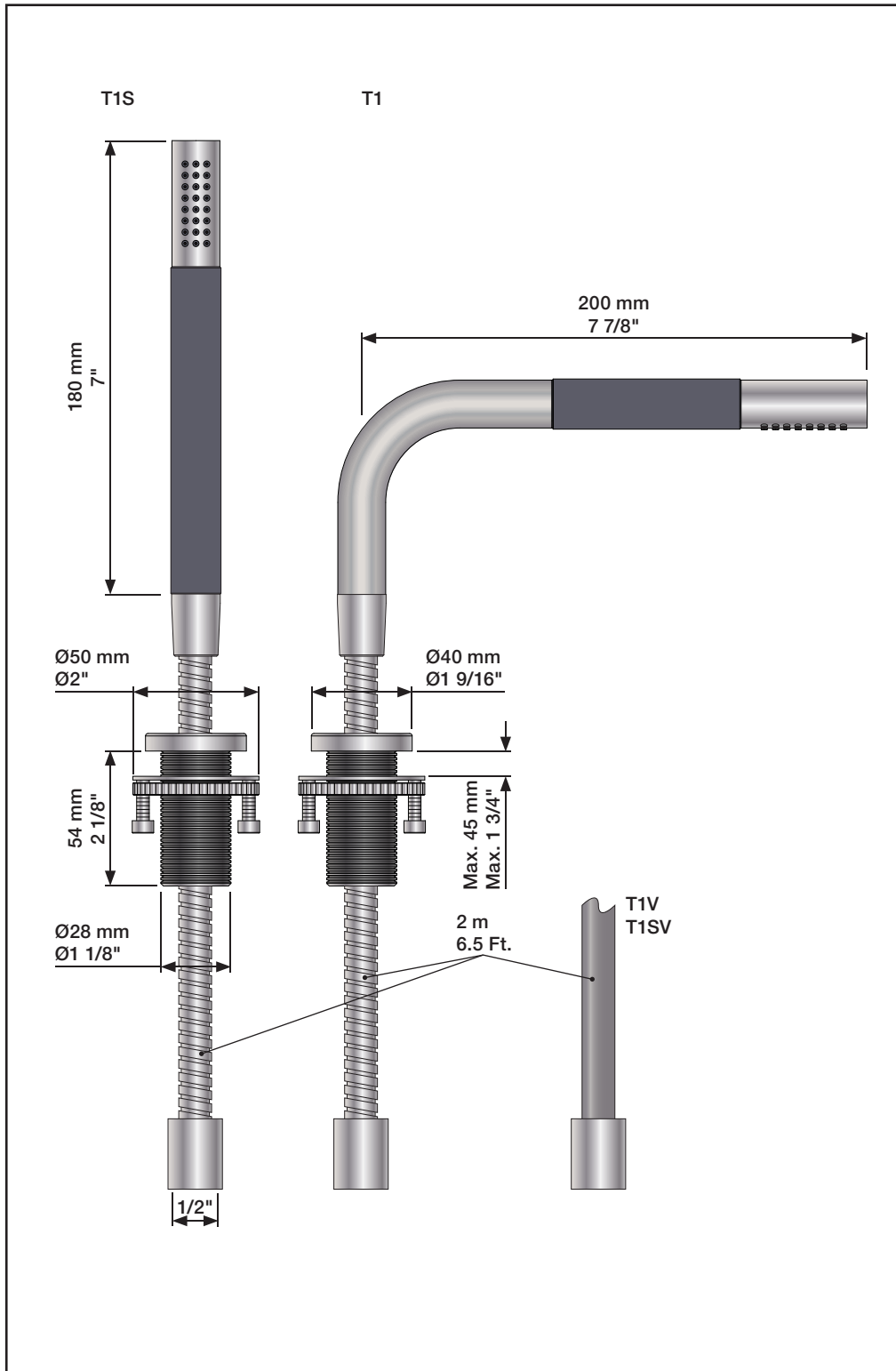
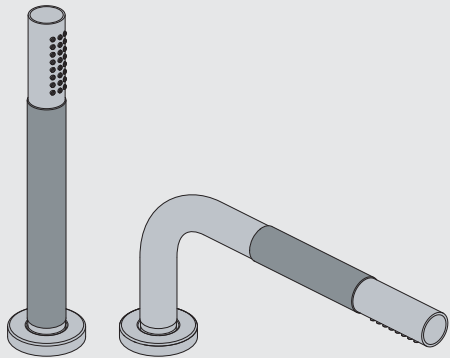
6A

mm:	H	D	h
090	210	200	145
090A	110	85	40
090B	185	100	114
090C	185	100	114
090D	220	200	130
090E	170	200	65
090G	185	140	105
090H	265	230	155
090I	325	230	216
090V	355	145	270

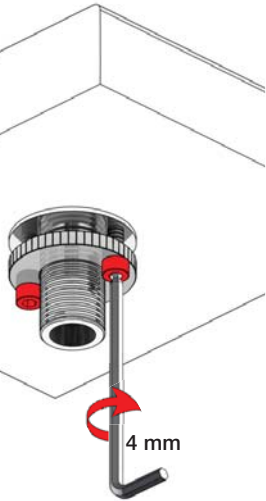
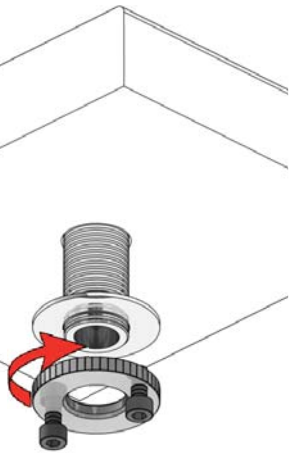
Inches:	H	D	h
090	8 1/2"	8"	5 3/4"
090A	4 1/4"	3 1/2"	1 1/2"
090B	7"	4"	4 1/2"
090C	7"	4"	4 1/2"
090D	8 3/4"	8"	5"
090E	6 3/4"	8"	2 1/2"
090G	7"	5 1/2"	4"
090H	10 1/2"	9"	6"
090I	12 3/4"	9"	8 1/2"
090V	14"	5 3/4"	10 1/2"



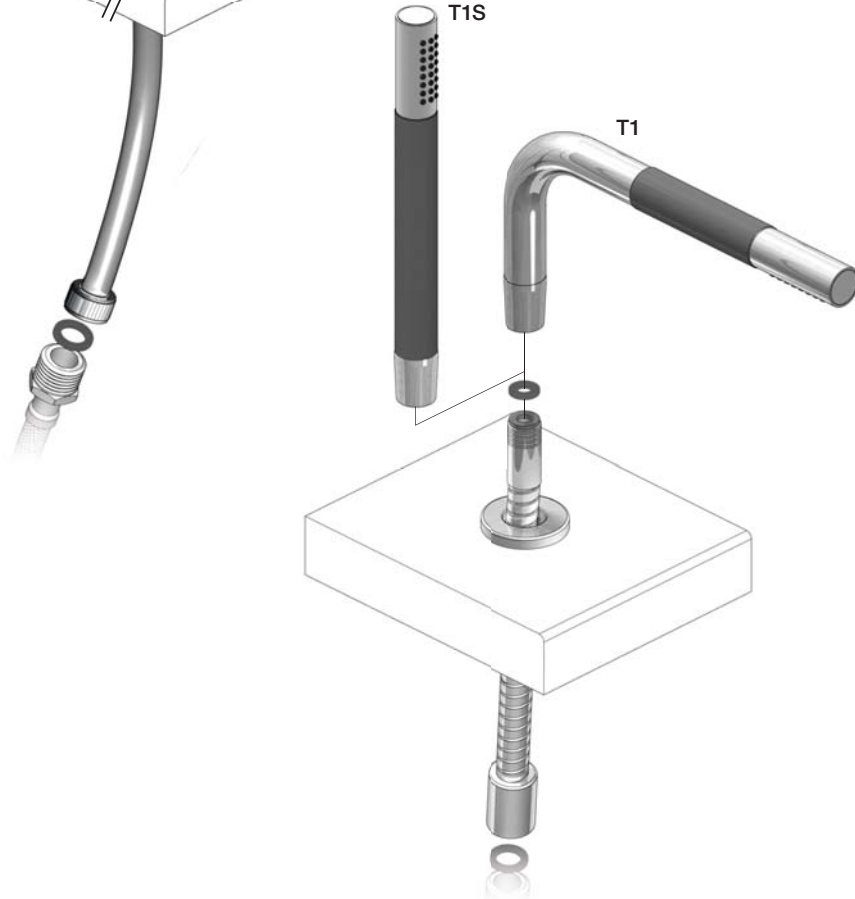
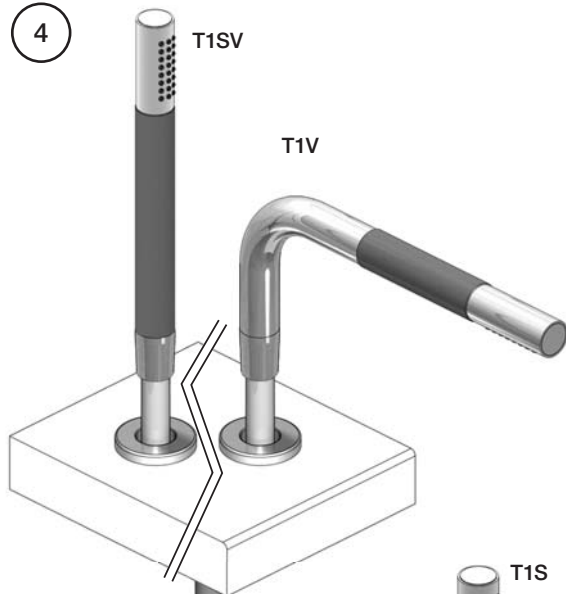
Fitting instruction
 Montageanleitung
 Monteringsvejledning
 Monteringsvægledning
 Montage hanleiding
 Manuel de montage



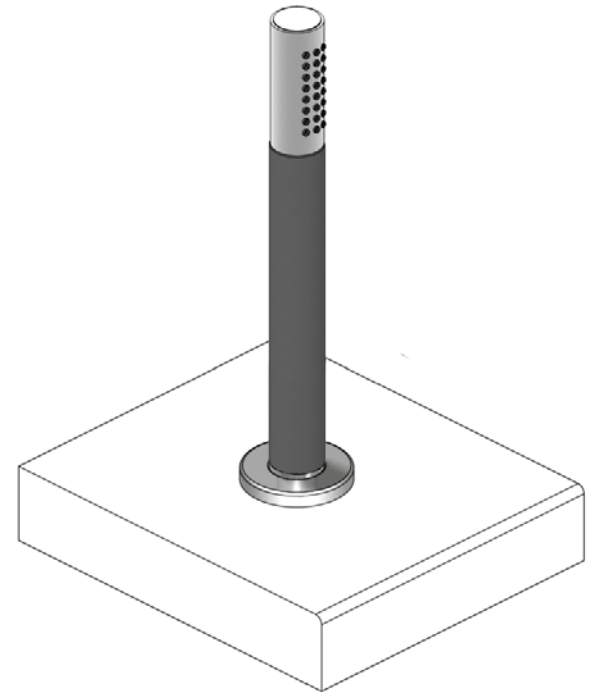
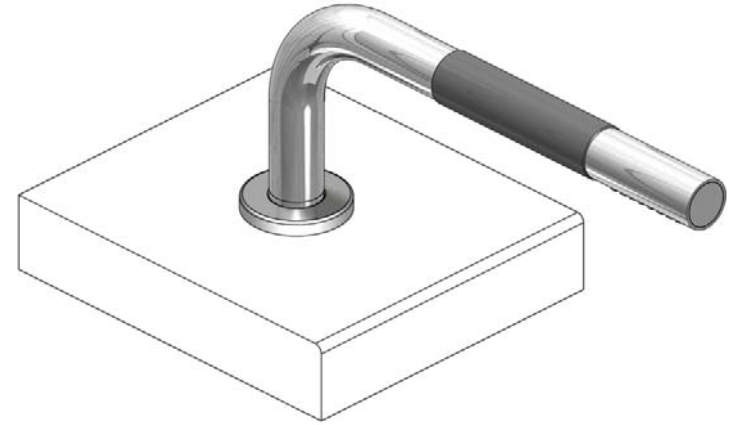
3

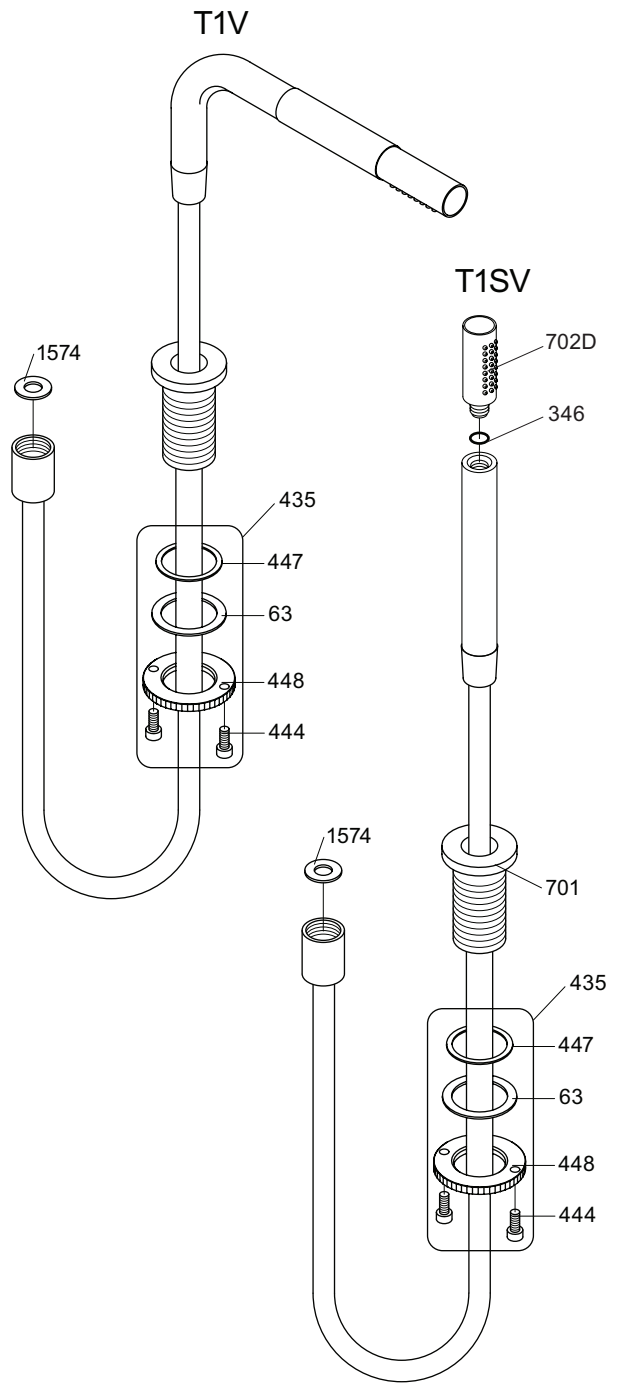
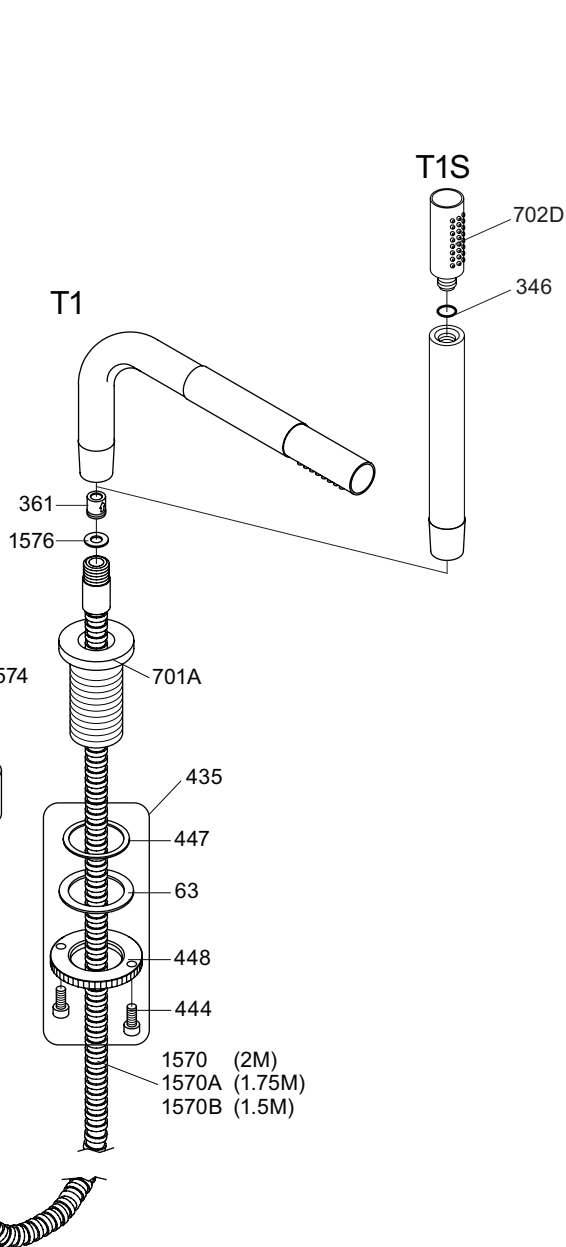


4



5





VR435: VR63, 2xVR444, VR447, VR448



vola
Lunavej 2
DK-8700 Horsens
Tlf : + 45 7023 5500
Fax: + 45 7023 5511
sales@vola.com
www.vola.com

VOLA T1, T1S T1V, T1SV

Date
Jun. 17

Rev.
6

Sheet
SB 39