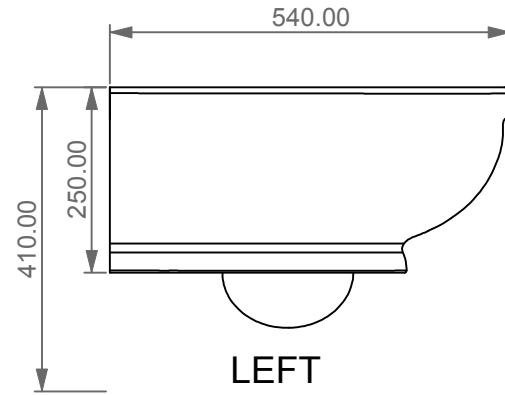


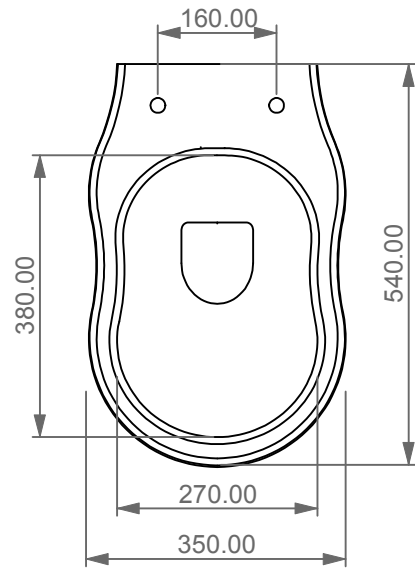
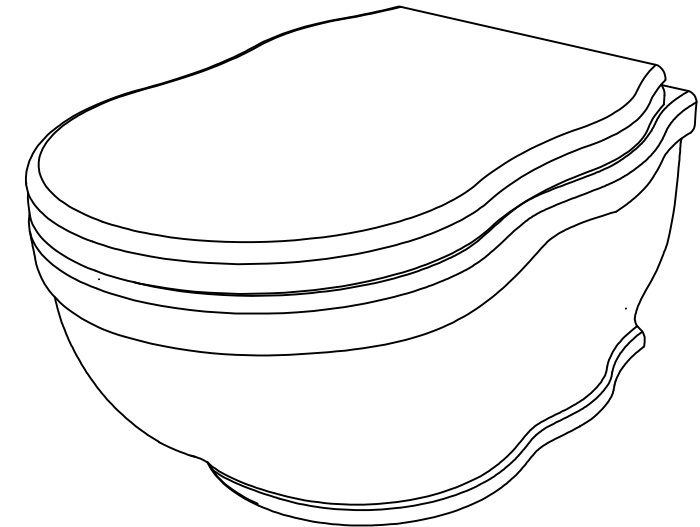
FRONT



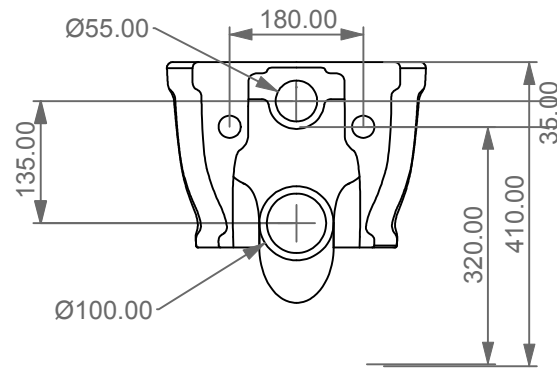
LEFT

GSG
CERAMIC DESIGN

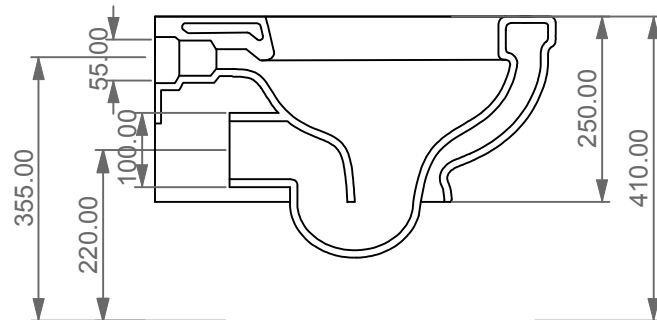
Vaso sospeso Time
Time wc wall-hung



TOP



REAR



SECTION

Designation Vaso sospeso Time Time wc wall-hung	<p>This drawing including the respected data may neither be duplicated nor modified nor altered without the consent of GSG Ceramic Design. The use of the data/technical drawings take place at users own risk and under exclusion of any liability of GSG Ceramic Design. The dimensions are not binding; products are subject to changes. Measurement shown may be subjected to small variations or are indicative.</p>
Scale 1:10	
cod. TIWCSO	

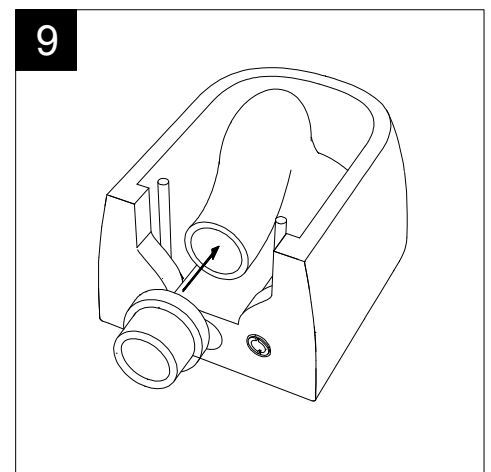
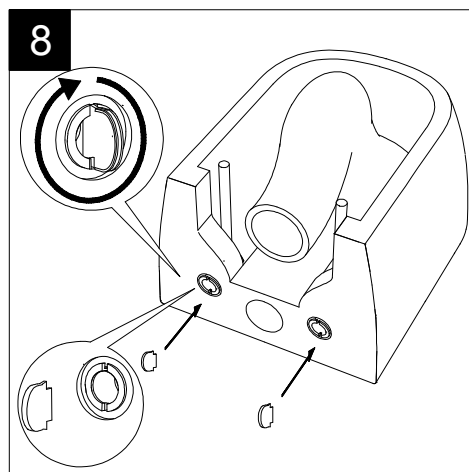
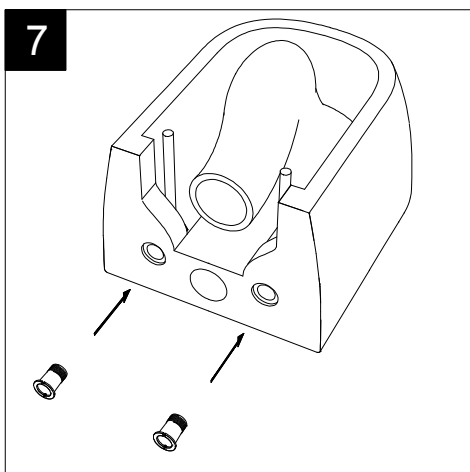
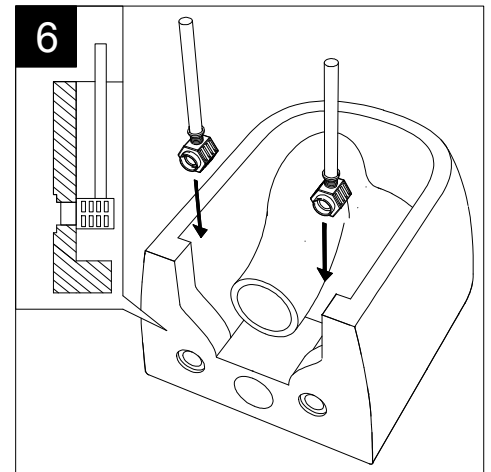
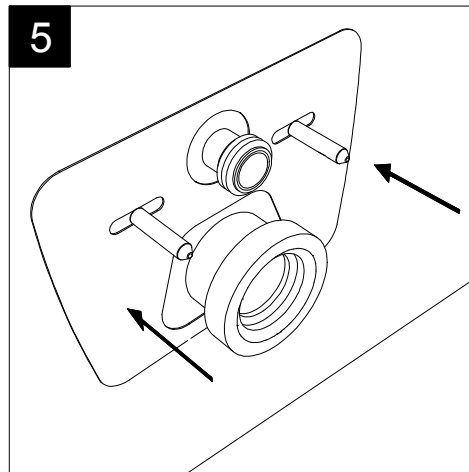
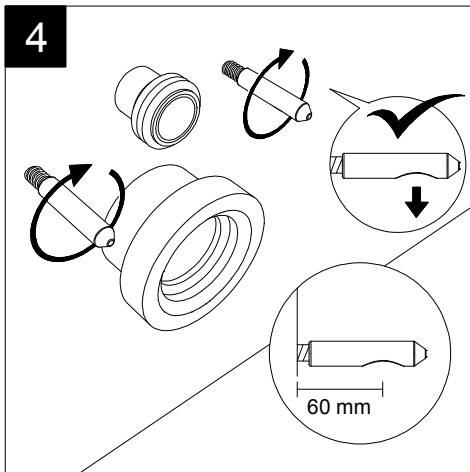
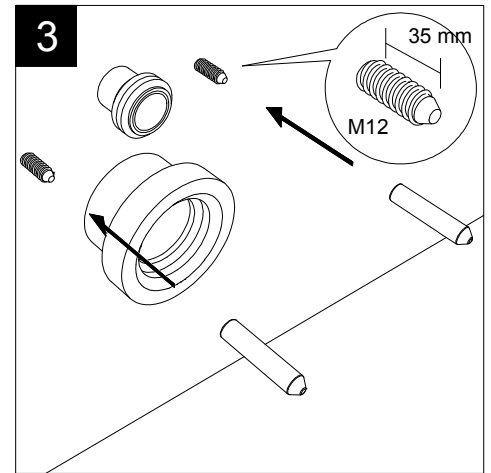
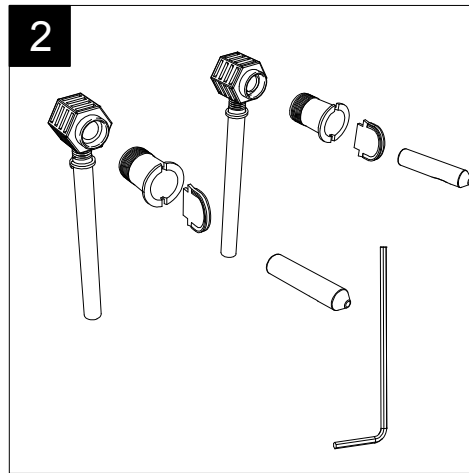
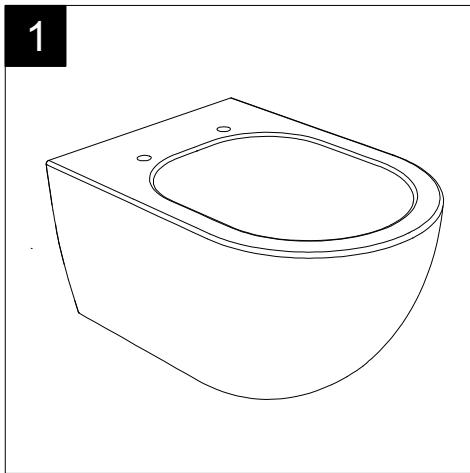
Guida all'installazione dei vasi sospesi con kit di fissaggio dal basso (cod. ACS40)

Serie: LIKE - BRIO - TOUCH - OZ - BOX - GLASS - TIME - FLUT - SPEED

Installation guide for wall-hung wc's with bottom fixing kit (cod. ACS40)

Series: LIKE - BRIO - TOUCH - OZ - BOX - GLASS - TIME - FLUT - SPEED

①



Guida all'istallazione dei vasi sospesi con kit di fissaggio dal basso (cod. ACS40)

Serie: LIKE - BRIO - TOUCH - OZ - BOX - GLASS - TIME - FLUT - SPEED

Installation guide for wall-hung wc's with bottom fixing kit (cod. ACS40)

Series: LIKE - BRIO - TOUCH - OZ - BOX - GLASS - TIME - FLUT - SPEED

②

