

## Mixer Tap Omega Satin 8497 100

Mixer Taps

Code: 8497 100



### DETAILS

Texture Satin

---

Material Brass

---

Rotating angle 360°

---

Strengthening plate ø50mm

---

Cartridge With ceramic discs

---

Mixer hole ø35mm

---

Rear encumbrance 35mm

---

Max worktop thickness 40mm

---

Mixer type Single lever mixer tap with rotating barrel.

---

## FEATURES

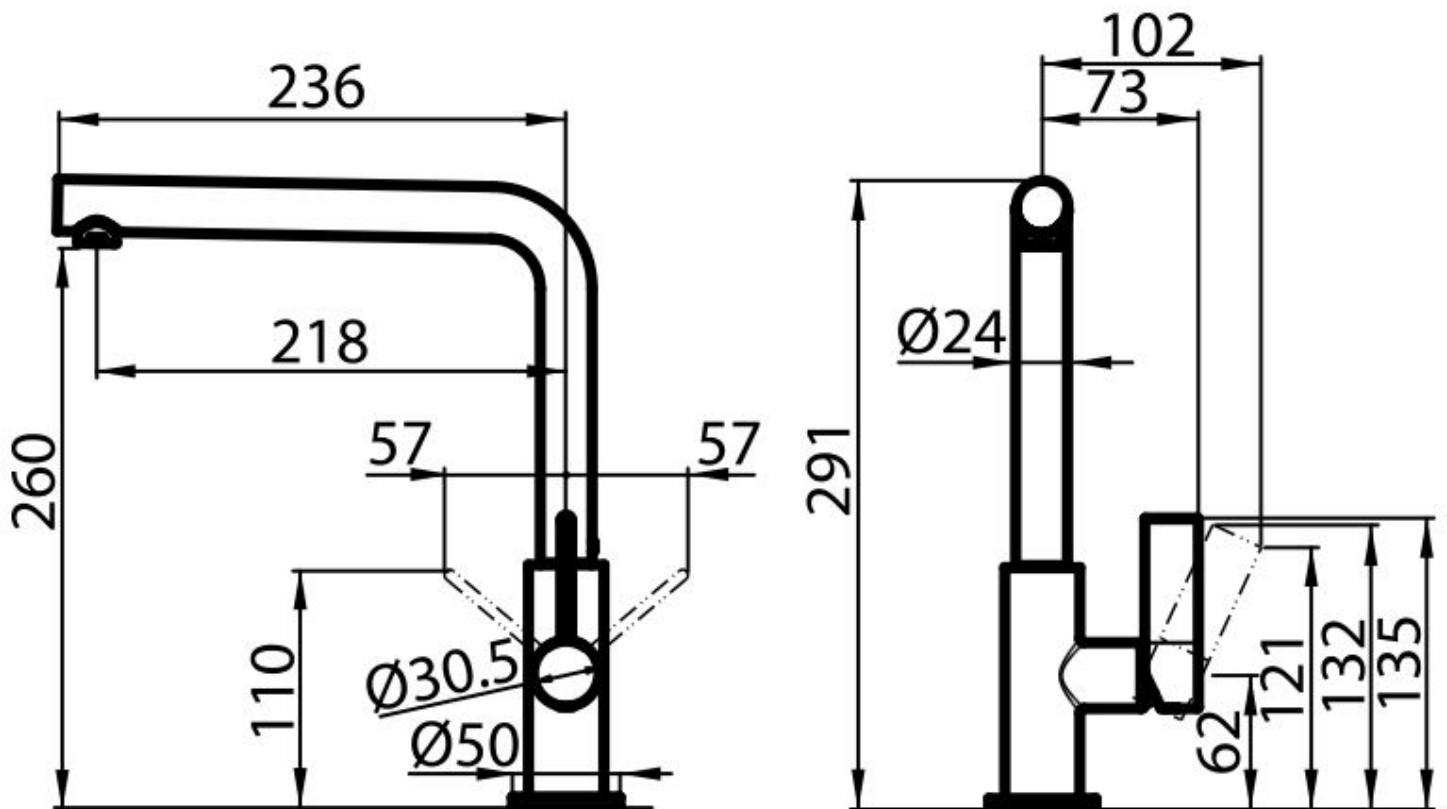
Rotating angle

All the taps have a wide angle of rotation. Some models even permit a full 360° rotation.

Strengthening plate

Foster's mixer taps are equipped with the strengthening plate that offers perfect stability on any sink.

## TECHNICAL DATA



## RECOMMENDED PAIRINGS



Dispenser Evo Satin 8520 100