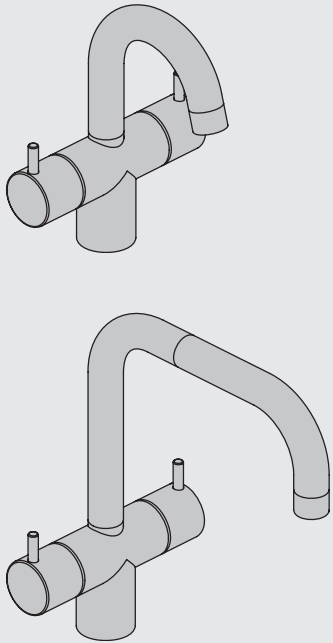
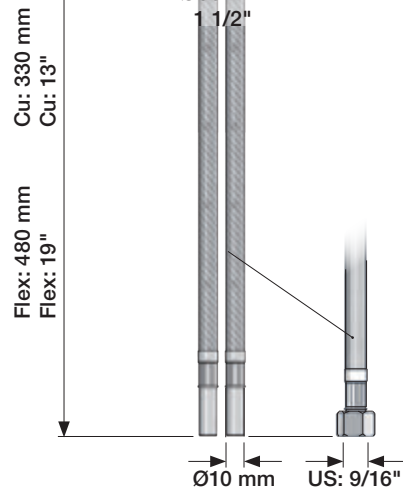
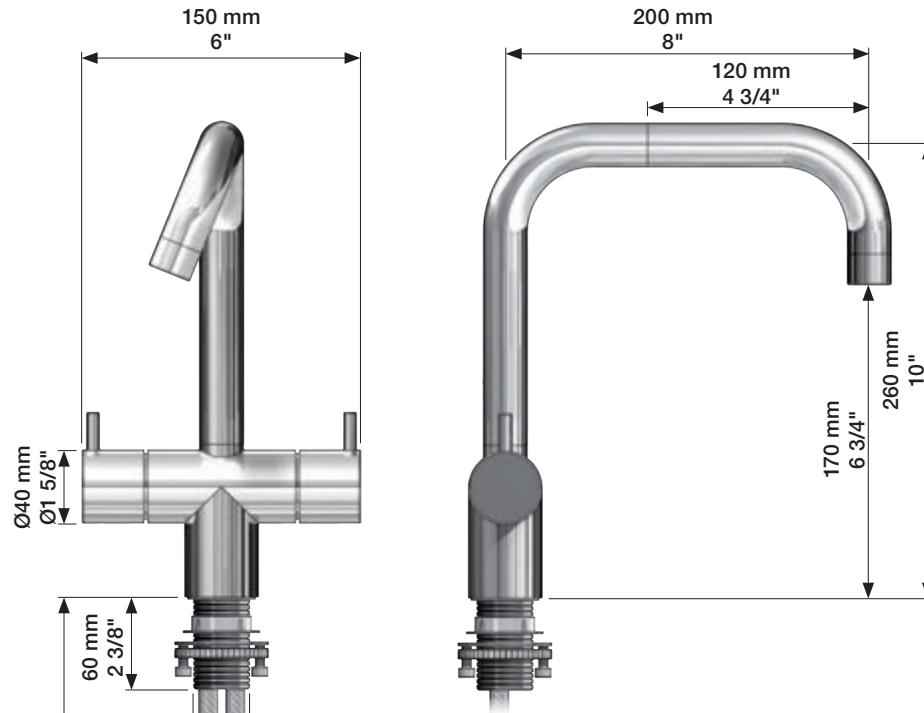


VOLA HV6, HV7
VOLA KV6, KV7

Fitting instruction
Montageanleitung
Monteringsvejledning
Monteringsvægledning
Montage hanleiding
Manuel de montage



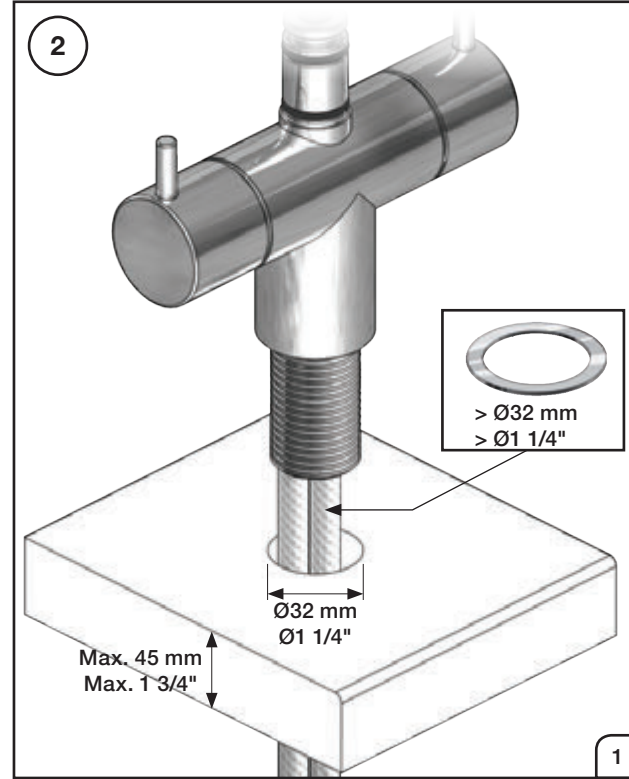
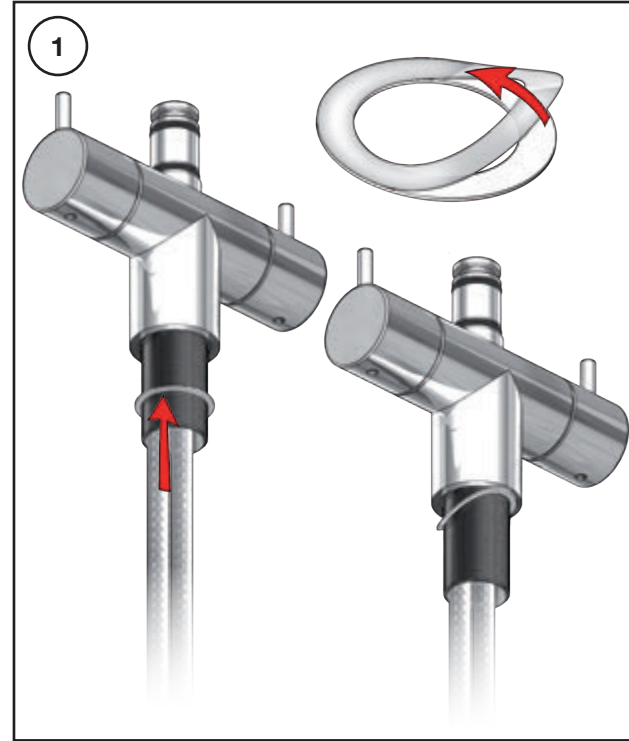
KV6, KV7:

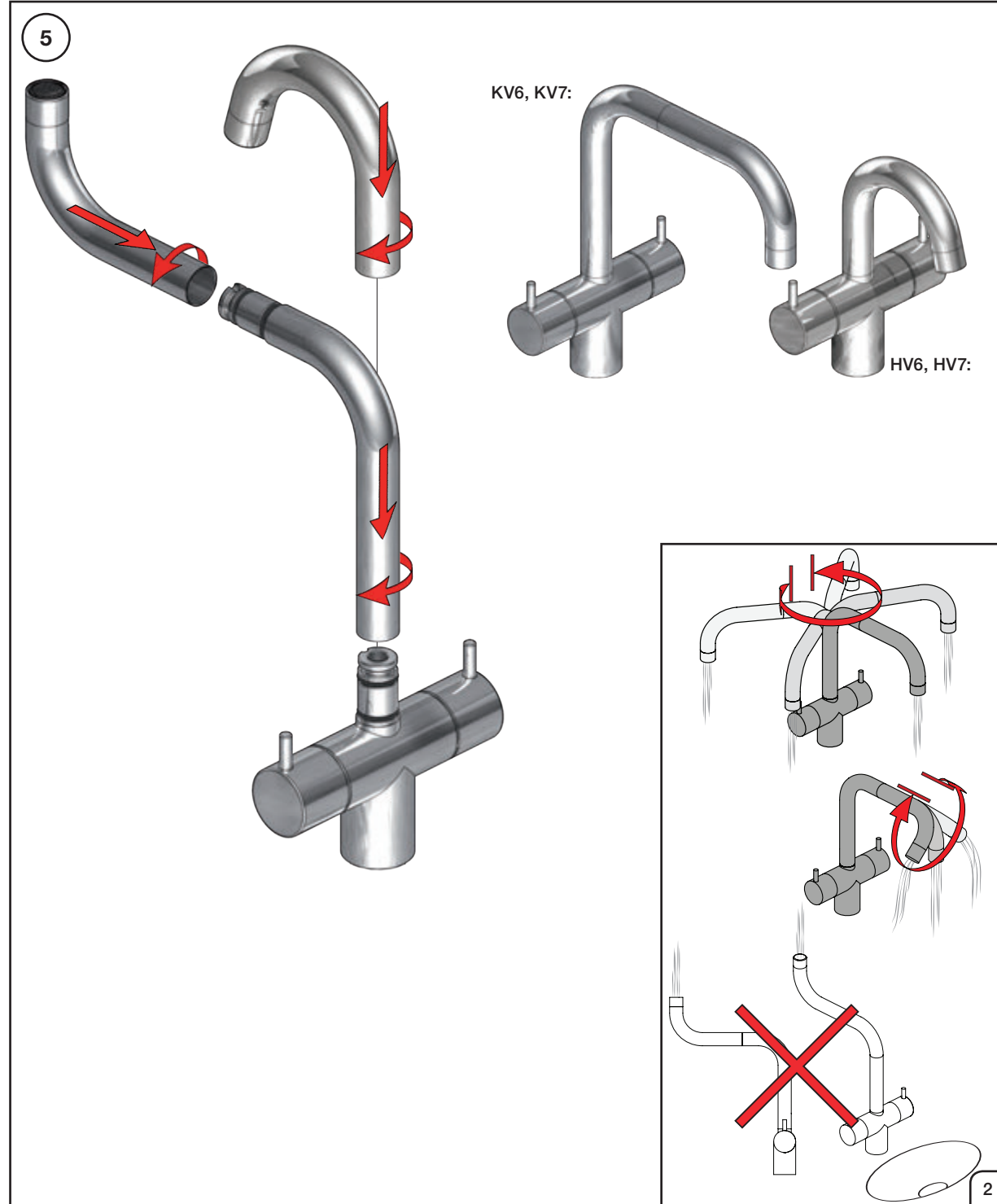
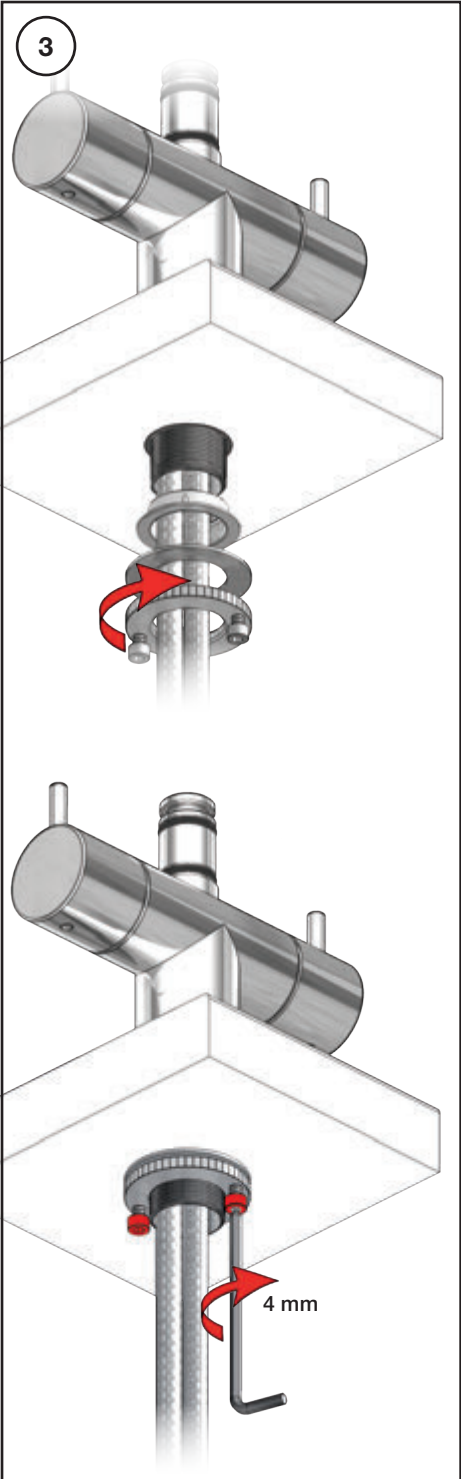


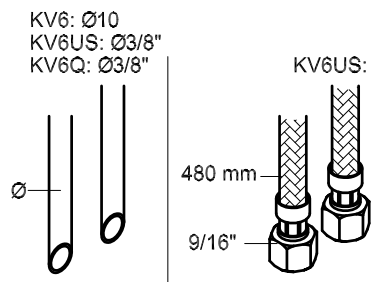
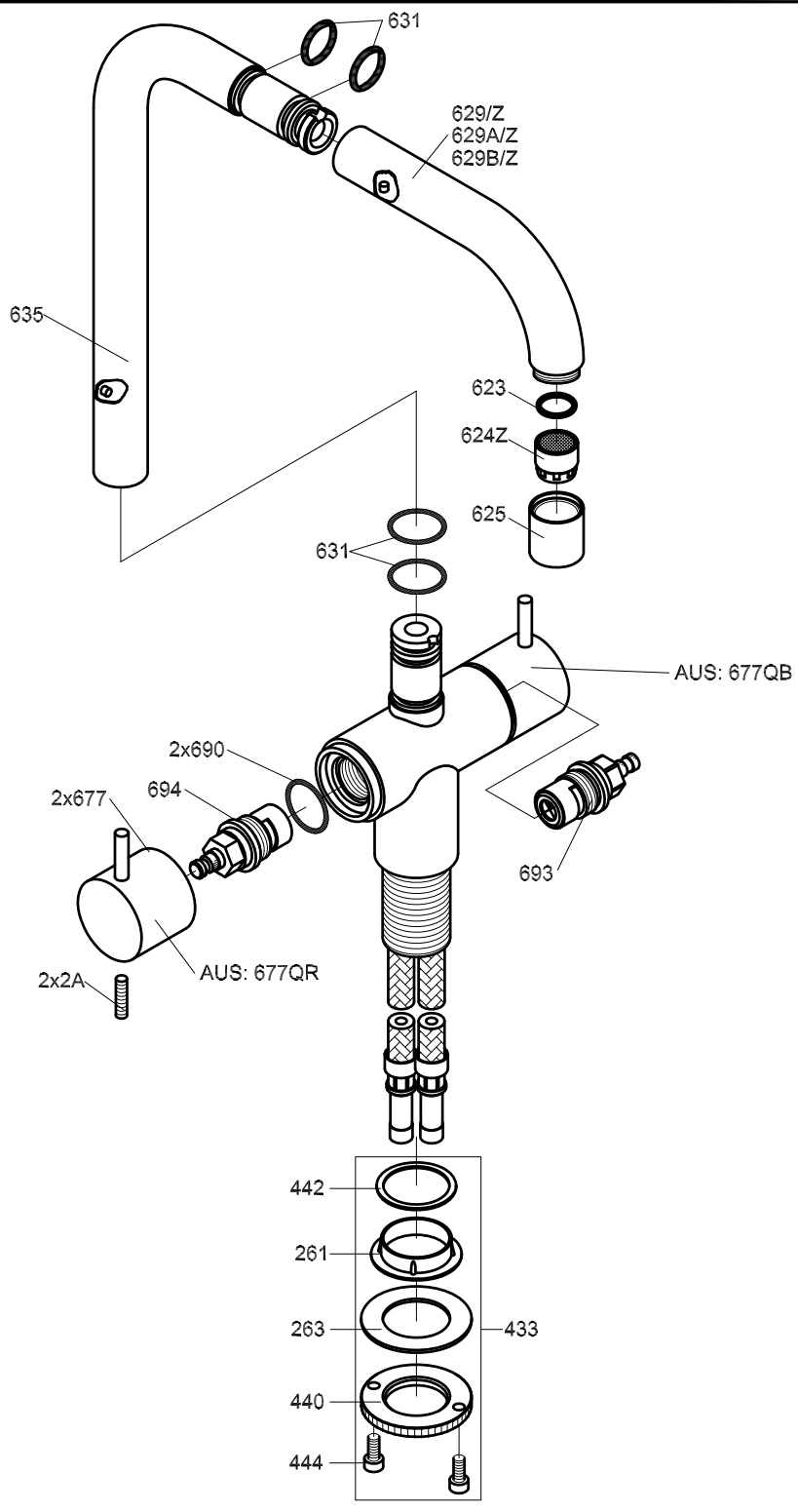
Data, 3 Bar /43.5 Psi: (Min. 0,5 - Max. 8 Bar)

	l/min.	Gal/min.
HV6/7:	9,0	2,0
KV6/7	9,0	2,0

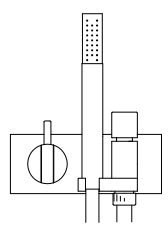
Max. 70°C, 158°F







- VR010Z: VR623, VR624Z
- VR693K: VR23, VR693
- VR694K: VR23, VR694
- VR433: VR261, VR263, VR440, VR442, 2xVR444



VOLA A/S
 Lunavej 2
 DK-8700 Horsens
 Tlf : +45 70235500
 Fax: +45 70235511
 sales@vola.dk
 www.vola.com

Vola KV6
 VOLA FKV6 VOLA KV6Q
 VOLA FKV6\$
 VOLA KV6\$

Dato:	Sep. 09
Rev:	5
Blad:	SB47