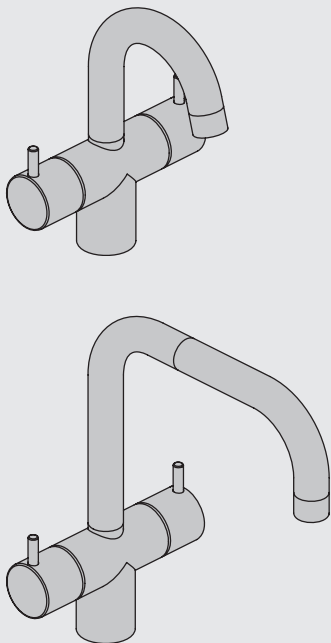
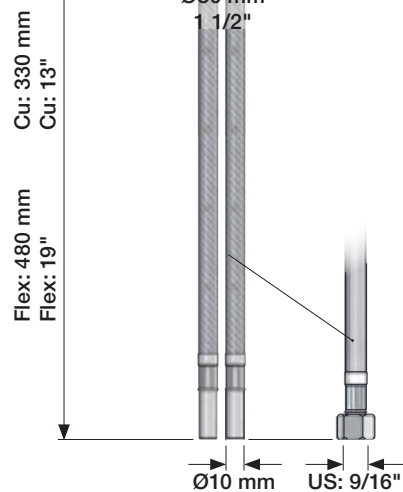
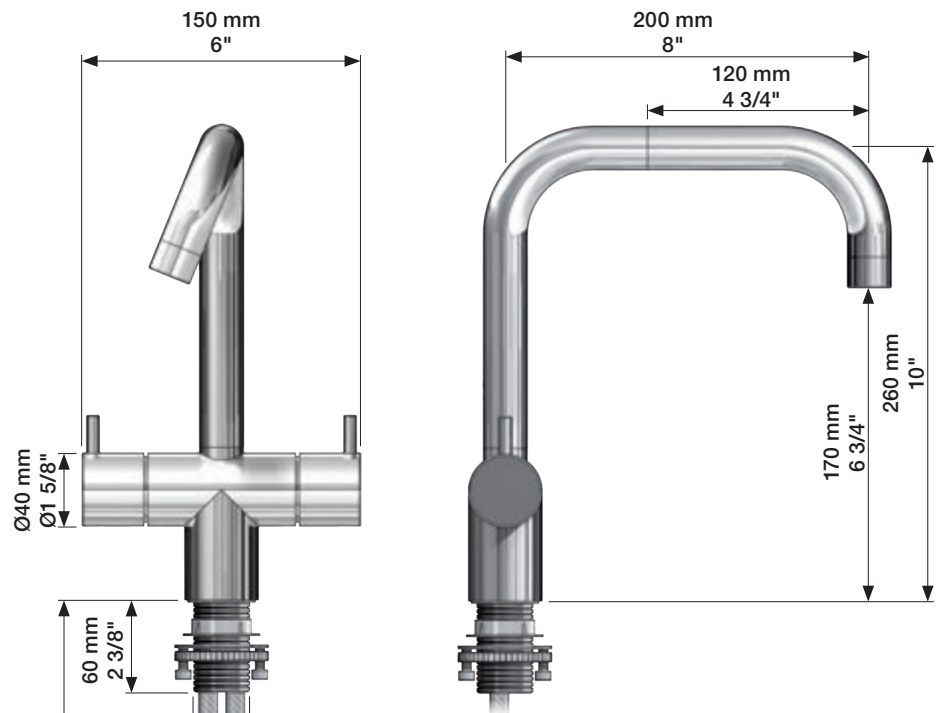


VOLA HV6, HV7
VOLA KV6, KV7

Fitting instruction
Montageanleitung
Monteringsvejledning
Monteringsvægledning
Montage hanleiding
Manuel de montage



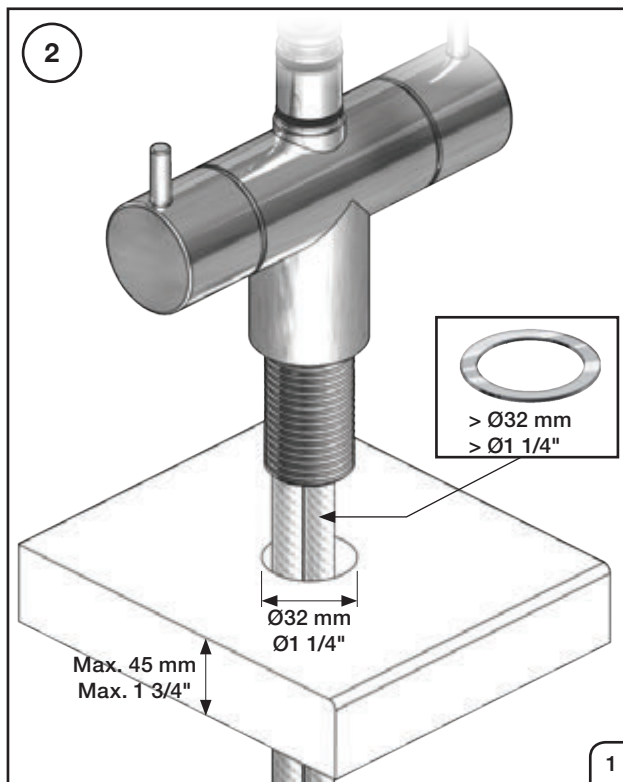
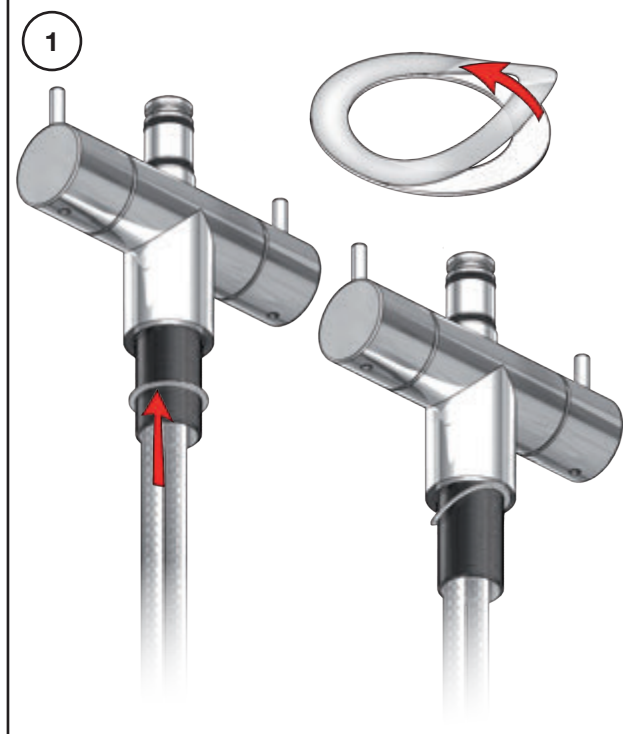
KV6, KV7:

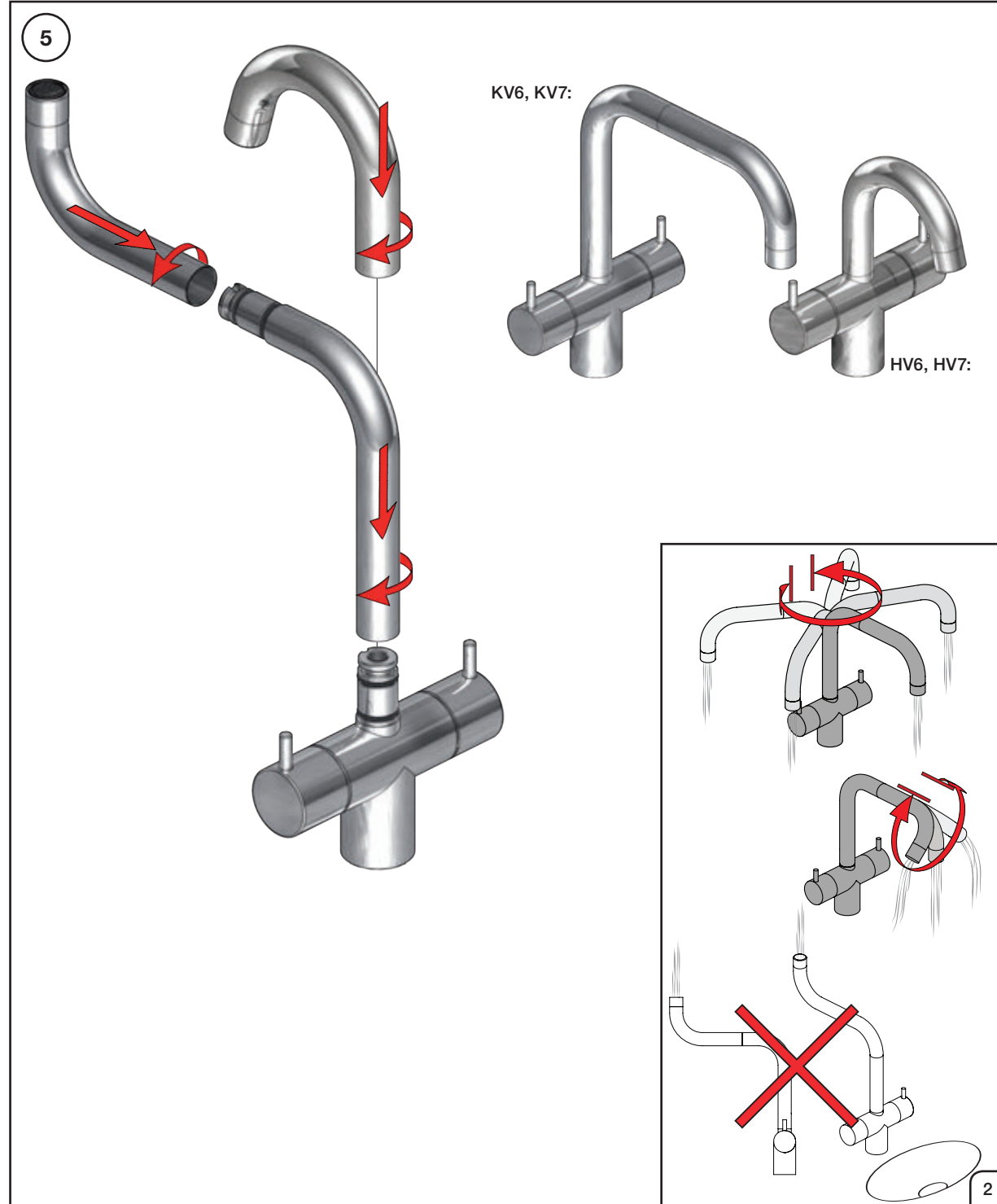
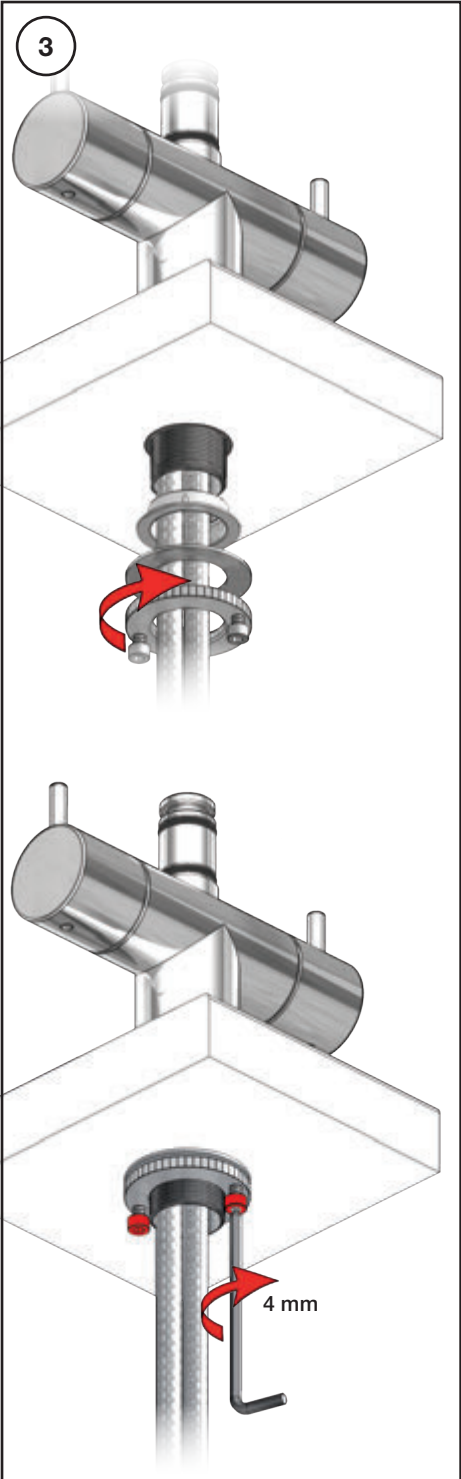


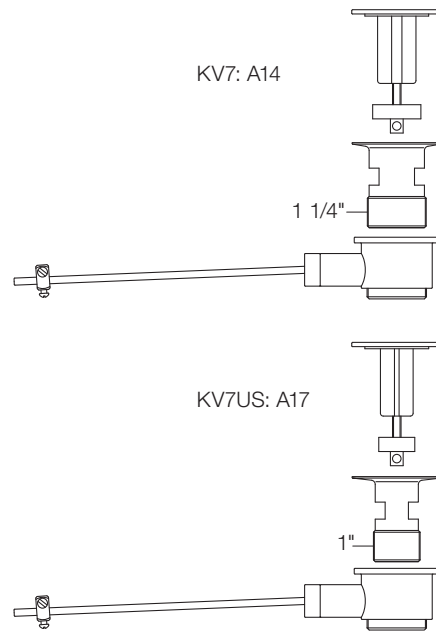
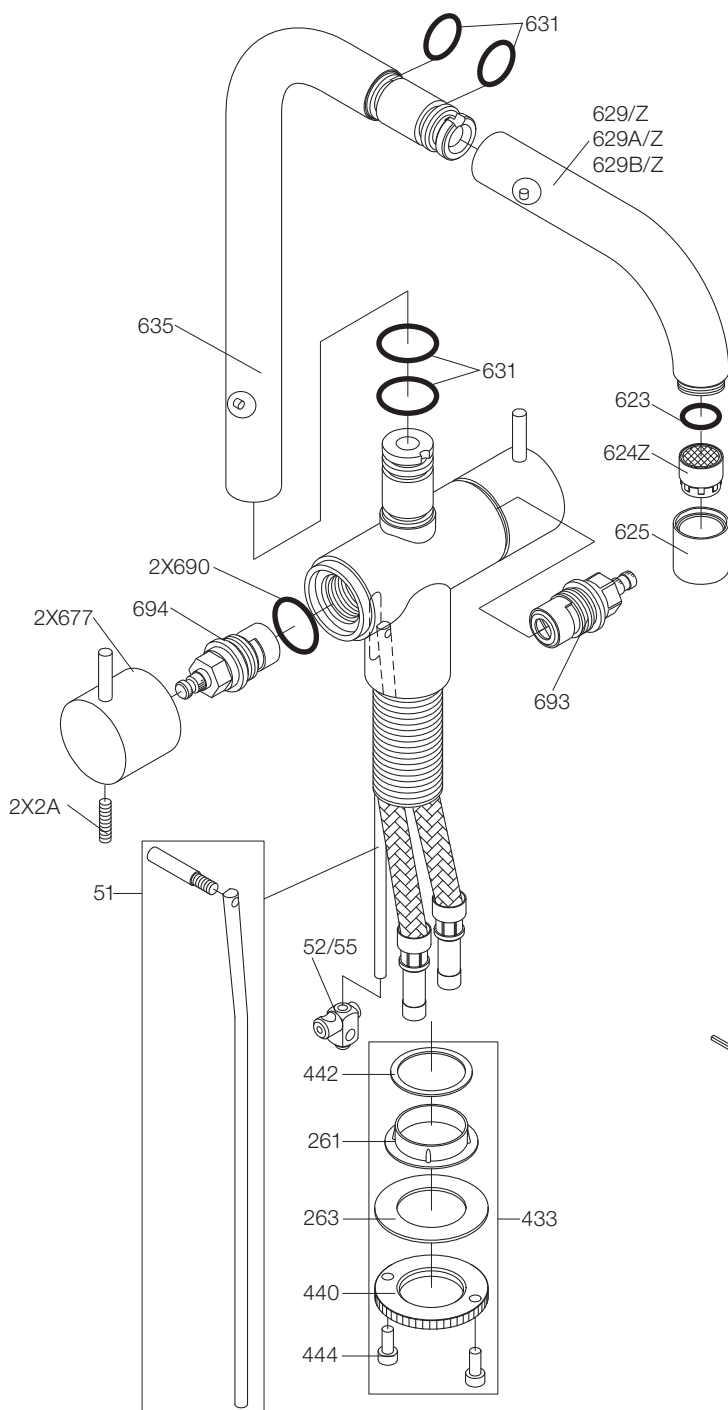
Data, 3 Bar /43.5 Psi: (Min. 0,5 - Max. 8 Bar)

	l/min.	Gal/min.
Max. HV6/7:	9,0	2,0
Max. KV6/7:	9,0	2,0

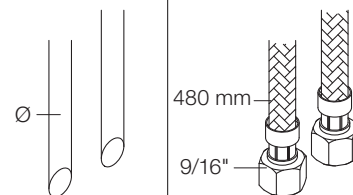
Max. 70°C, 158°F



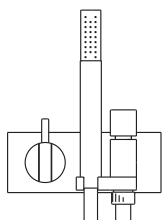




KV7: Ø10
 KV7JP: Ø10
 KV7US: Ø3/8"
 KV7Q: Ø3/8"



010Z:	VR623, VR624Z
VR433:	VR261, VR263, VR440, VR442, 2xVR444
VR693K:	VR23, VR693
VR694K:	VR23, VR694
NR.7:	VR2A, VR677



VOLA A/S

Lunavej 2
 DK-8700 Horsens
 Tlf : + 45 7023 5500
 Fax: + 45 7023 5511
 sales@vola.com
 www.vola.com

VOLA KV7

VOLA FKV7
 VOLA KV7Q
 VOLA FKV7US
 VOLA KV7US

Dato

Sep. 09

Rev.

5

Blad

SB 48