

Sink Elettra 1974 860

Sinks

Code: 1974 860



DETAILS

Finish Foster brushed

Material AISI 304 stainless steel

Texture Foster brushed

Base 80 cm

Edge/Installation Type Undermount

Dimensions 784x424 mm

Standard fittings Fixing hooks, gasket, drain, overflow and siphon, boxed packing

Mixer holes No standard holes

Built-in hole View technical data sheet (for all Flush-mount / Top-mount models and Under-mount models)

Drainer No

Width 79 cm

Bowl dimension 362,5x400mm

Number of bowls 2 bowls

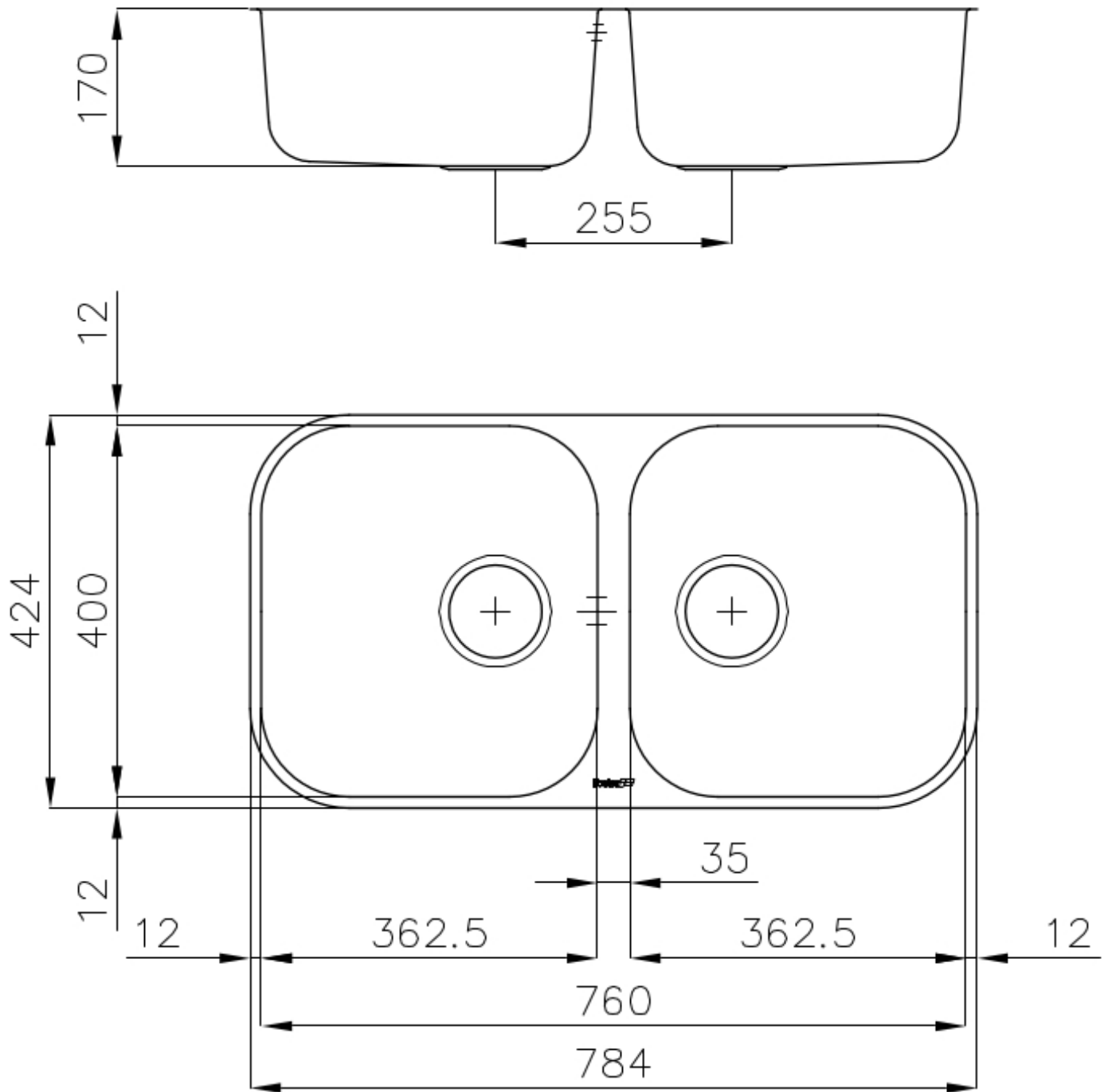
Waste fitting 3,5" drain

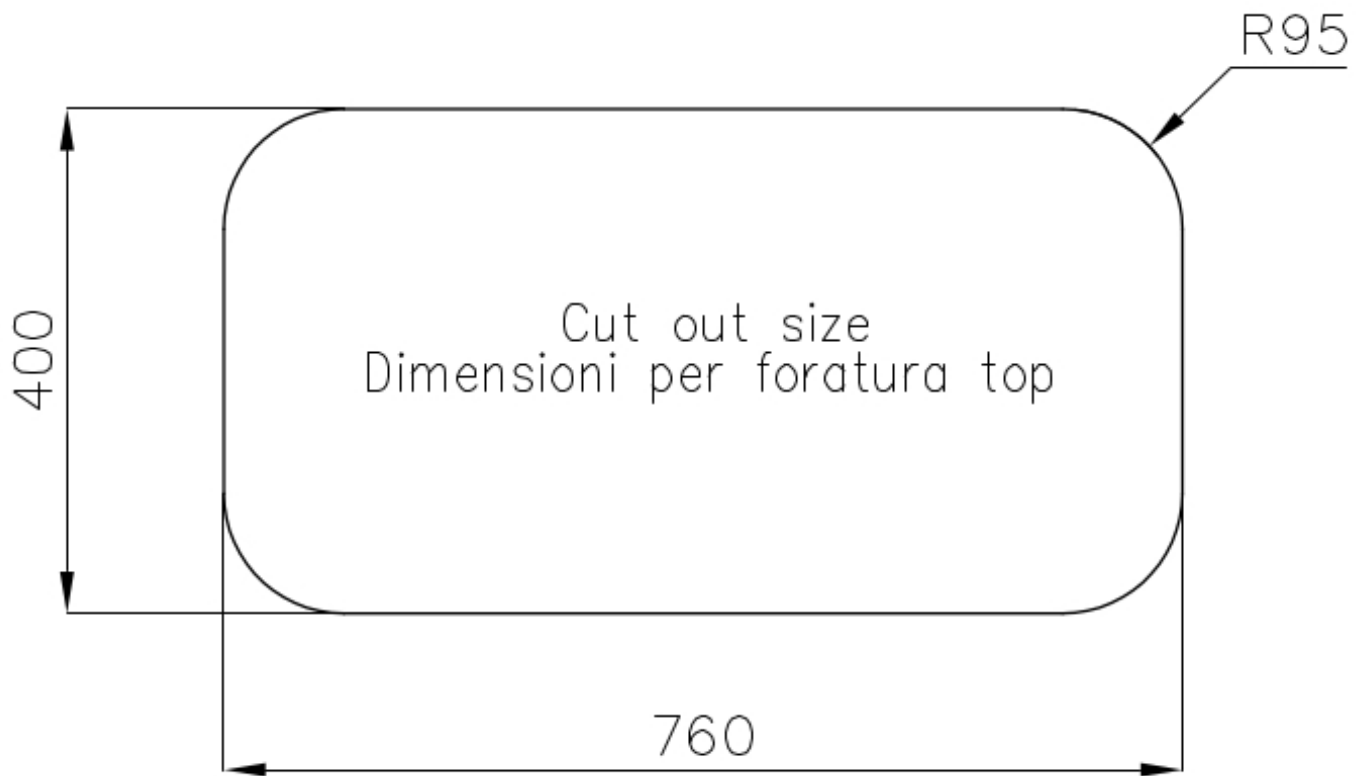
FEATURES

Basket 3,5" waste fitting

The drain is equipped with a large 3.5" drain, with the practical basket cap that prevents the discharge of solid parts. The 3.5 "drain allows the use of the Foster waste-disposer, compatible with all models.

TECHNICAL DATA





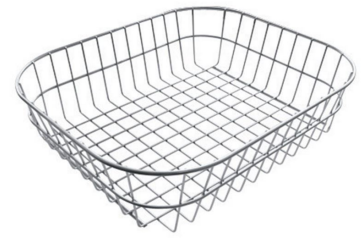
OPTIONAL ACCESSORIES



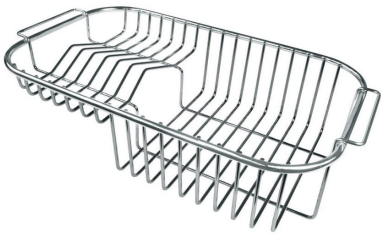
Glass chopping board 8631 300



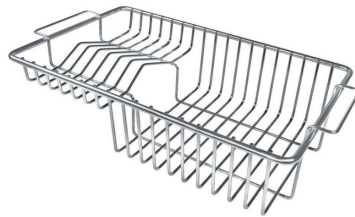
HPDE Chopping board 8657 001



Stainless steel basket 8611 000



Stainless steel plate rack 8100 301



Stainless steel plate rack 8100 201

RECOMMENDED PAIRINGS



Mixer Tap Delta 8441 000



Mixer Tap Luisa 8482 000

OPTIONAL AUTOMATIC WASTE FITTINGS



Automatic waste fitting 8407 000



Automatic waste fitting 8407 100



LIRA automatic waste fitting
8407 102



LIRA automatic waste fitting
8407 103