

Walraven VibraTek® MS-1 Spring Mount

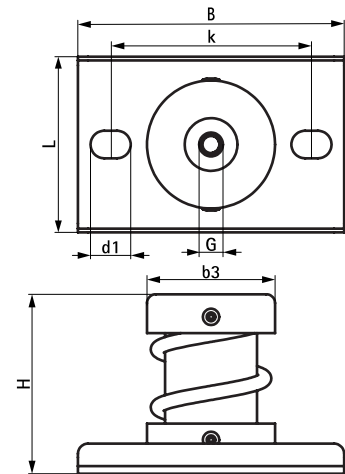
(L2 05 06)

high performance spring isolator for light equipment



Свойства и преимущества

- recommended for equipment with low working speeds, from 700 RPM and above
- epoxy powder-coated base, caps and springs provide increased resistance to corrosion
- flexible internal filler prevents debris and solid elements entering and damaging the spring under load
- ribs in the metal base provide increased stiffness
- slot holes facilitate positioning and anchoring to the base material



Арт. №	G	L	B	b3	H	d1	k	Min. Load	Max. Load	Min. Optimal Load	Max. Optimal Load	Max. Deflection	Уп.мин
			(mm)	(mm)	(mm)	(mm)	(mm)	(H)	(H)	(H)	(H)	(mm)	
2800300050	M8	70 mm	106	Ø 51	71,5	16 x 11	80	5	50	10 - 45	45	23,0	30
2800300150	M8	70 mm	106	Ø 51	71,5	16 x 11	80	20	150	30 - 140	140	23,0	30
2800300250	M8	70 mm	106	Ø 51	71,5	16 x 11	80	30	250	50 - 230	230	23,0	30
2800300500	M8	70 mm	106	Ø 51	71,5	16 x 11	80	50	500	100 - 460	460	23,0	30
2800300750	M8	70 mm	106	Ø 51	71,5	16 x 11	80	80	750	150 - 690	690	23,0	30
2800301000	M8	70 mm	106	Ø 51	71,5	16 x 11	80	100	1000	200 - 920	920	23,0	30

See Product Data Sheet for further technical information.