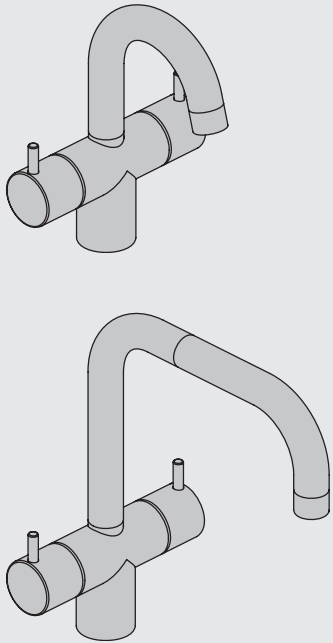
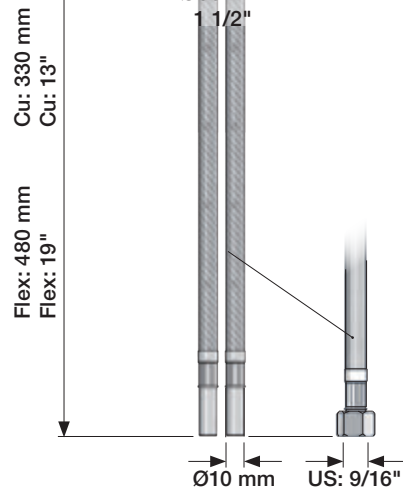
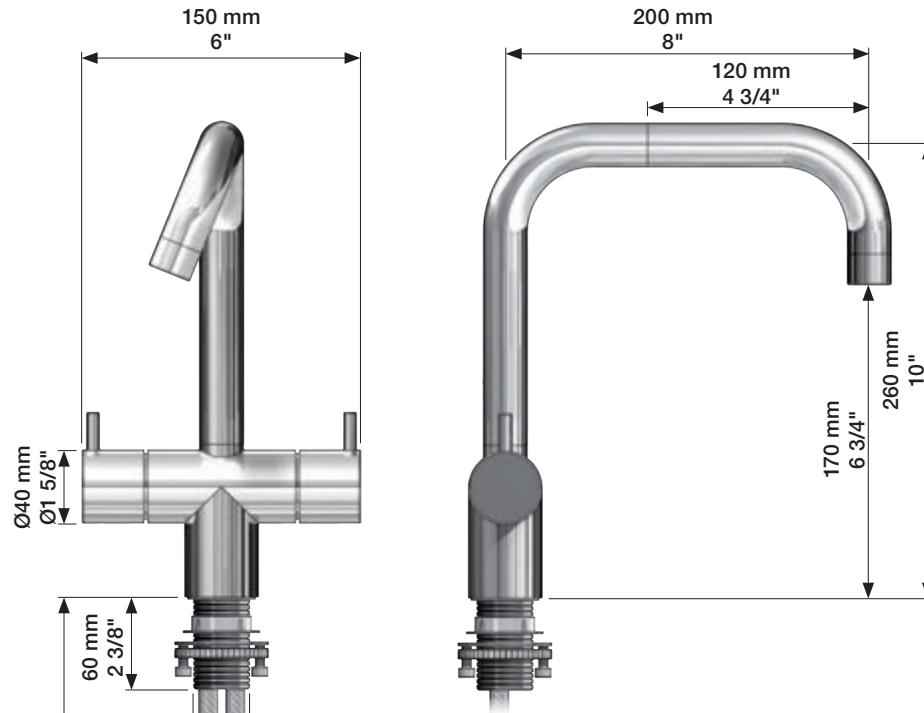


VOLA HV6, HV7
VOLA KV6, KV7

Fitting instruction
Montageanleitung
Monteringsvejledning
Monteringsvægledning
Montage hanleiding
Manuel de montage



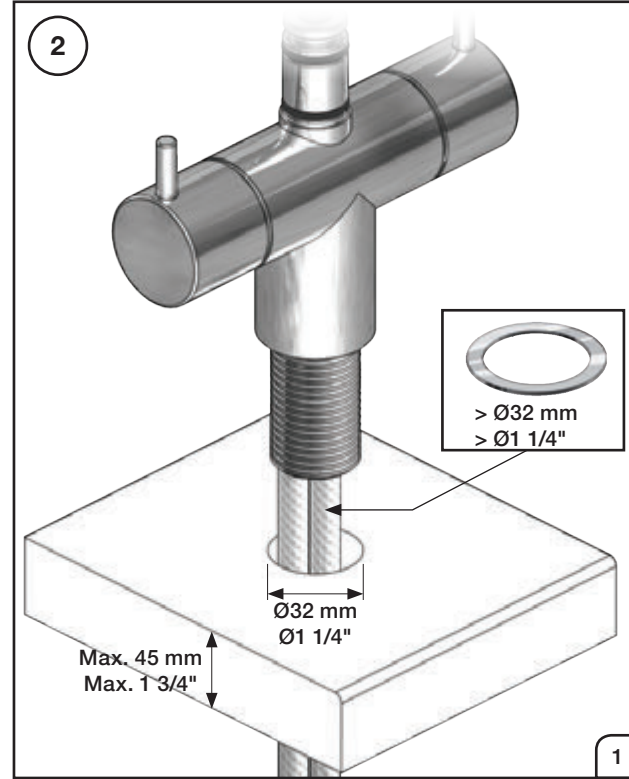
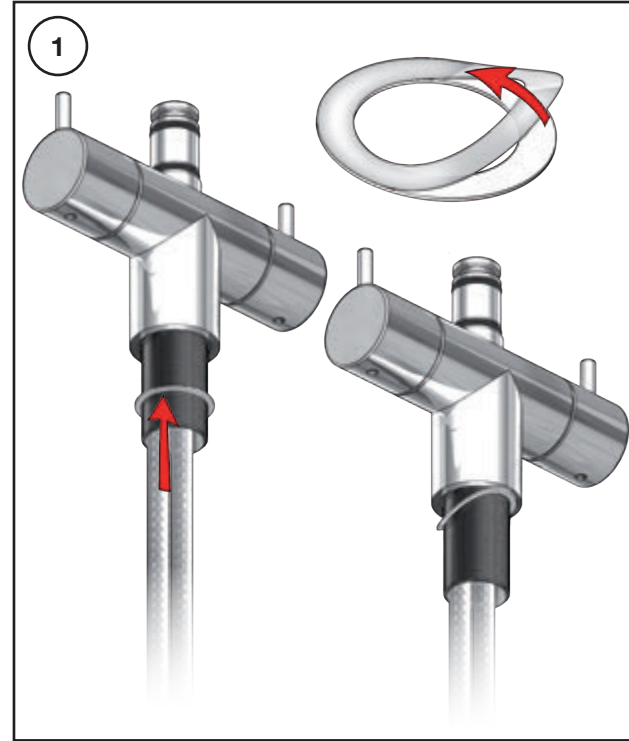
KV6, KV7:

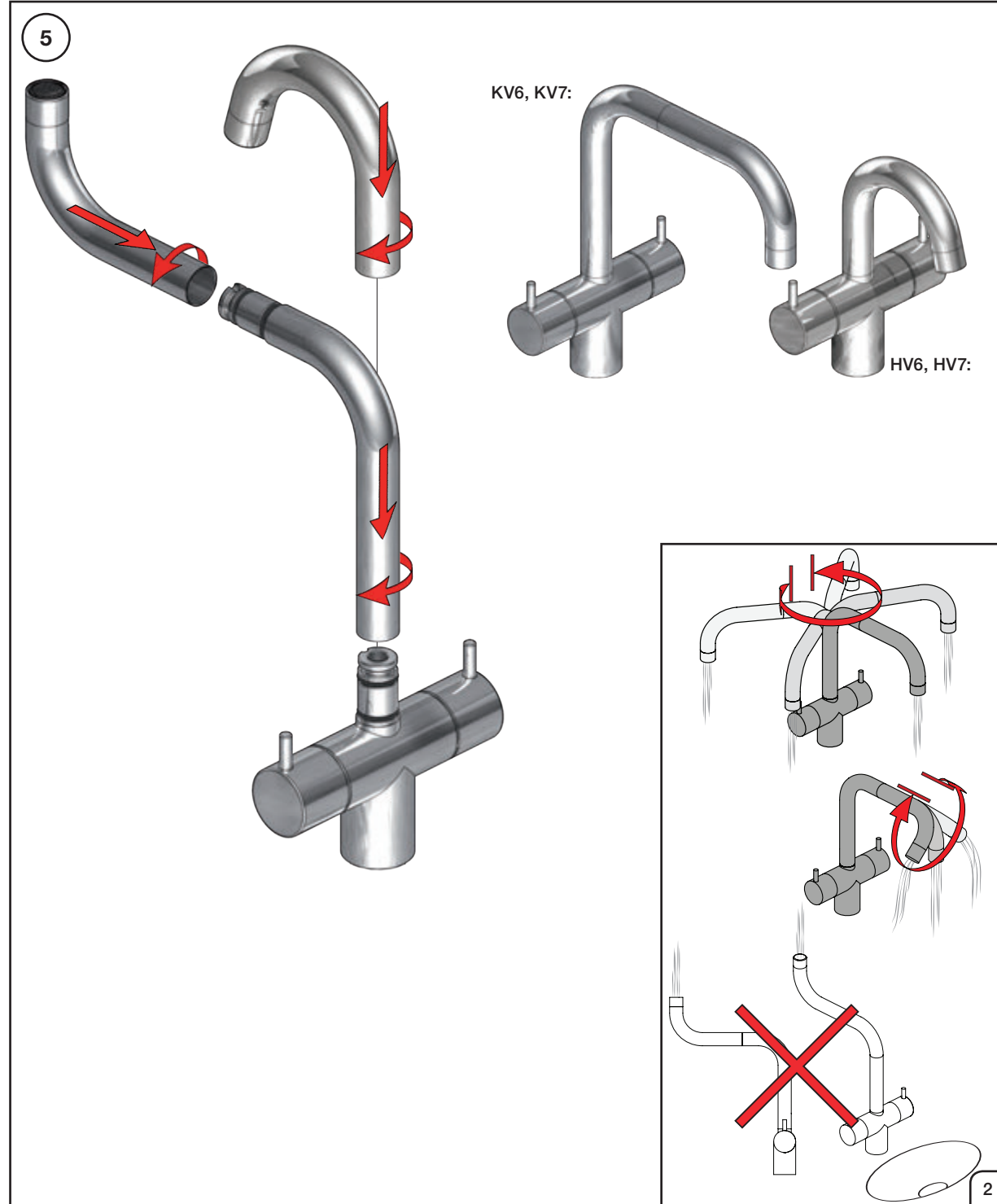
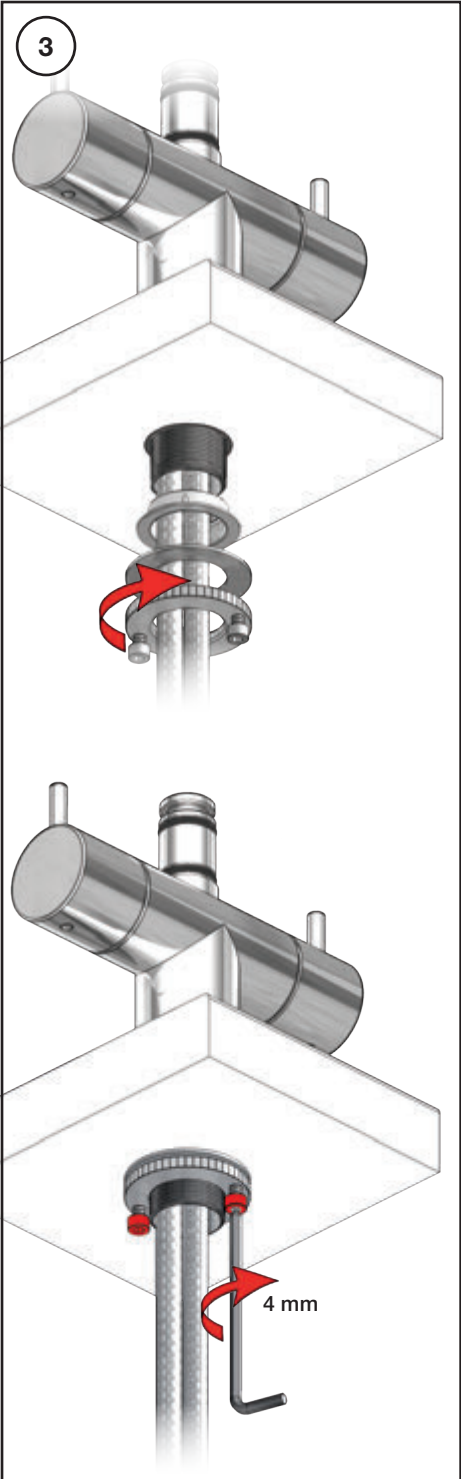


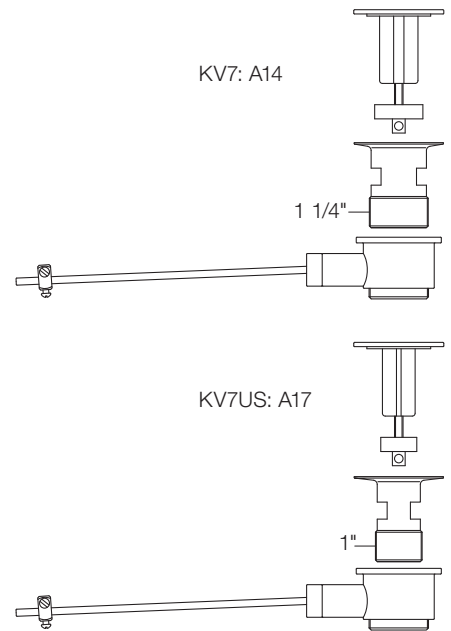
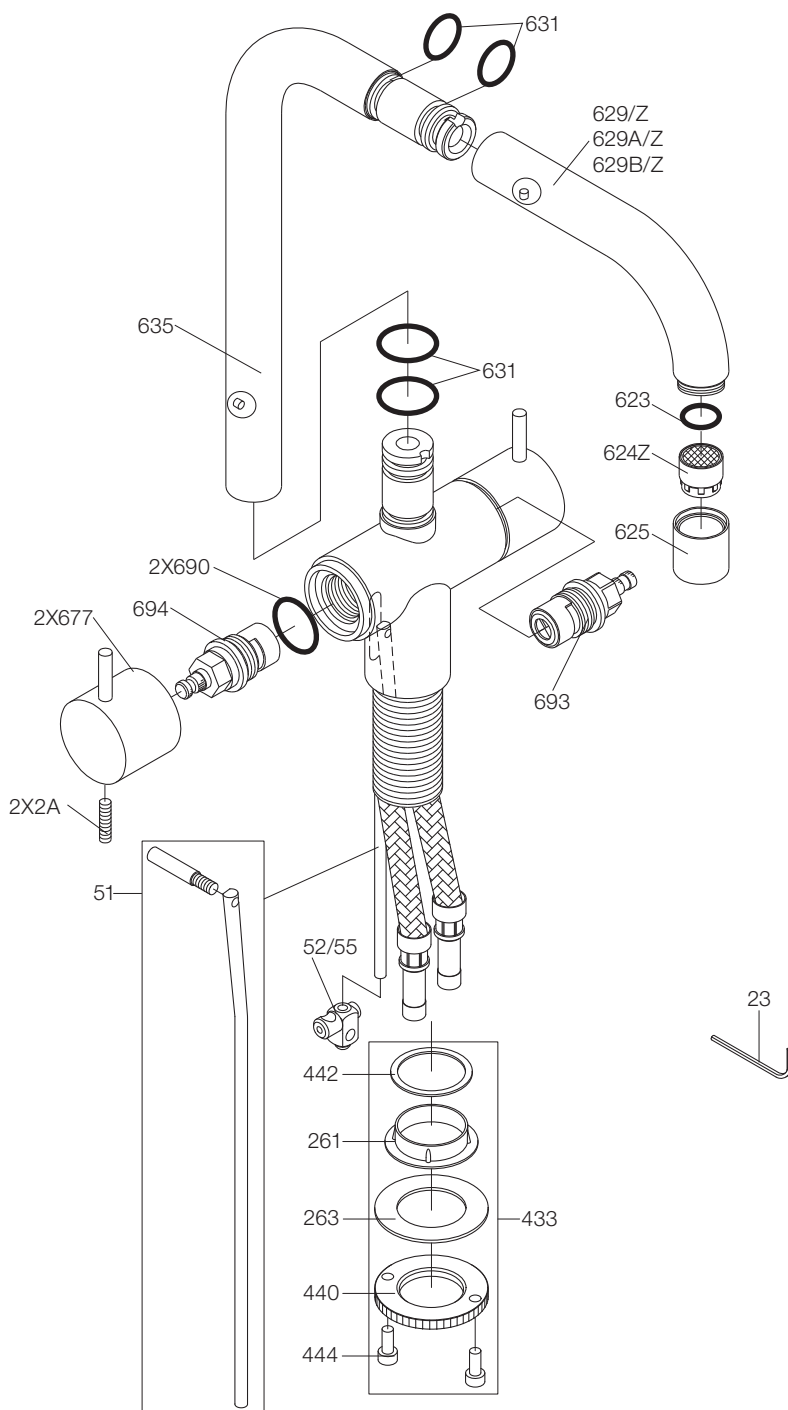
Data, 3 Bar /43.5 Psi: (Min. 0,5 - Max. 8 Bar)

	l/min.	Gal/min.
HV6/7:	9,0	2,0
KV6/7	9,0	2,0

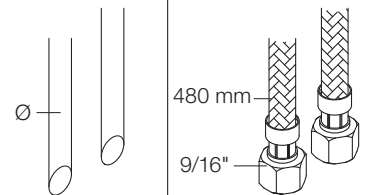
Max. 70°C, 158°F



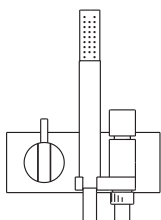




KV7: Ø10
 KV7JP: Ø10
 KV7US: Ø3/8"
 KV7Q: Ø3/8"



- | | |
|---------|-------------------------------------|
| 010Z: | VR623, VR624Z |
| VR433: | VR261, VR263, VR440, VR442, 2xVR444 |
| VR693K: | VR23, VR693 |
| VR694K: | VR23, VR694 |
| NR.7: | VR2A, VR677 |



VOLA A/S
 Lunavej 2
 DK-8700 Horsens
 Tlf : + 45 7023 5500
 Fax: + 45 7023 5511
 sales@vola.com
 www.vola.com

VOLA KV7
 VOLA FKV7
 VOLA KV7Q
 VOLA FKV7US
 VOLA KV7US

Dato

Sep. 09

Rev.

5

Blad

SB 48