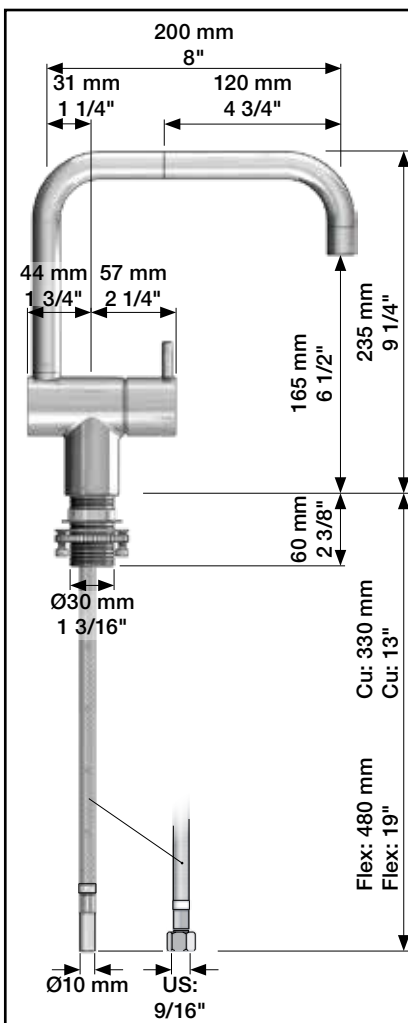
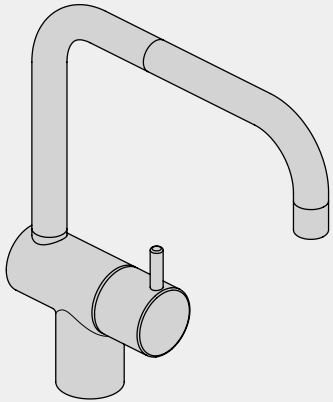


**VOLA KV8**

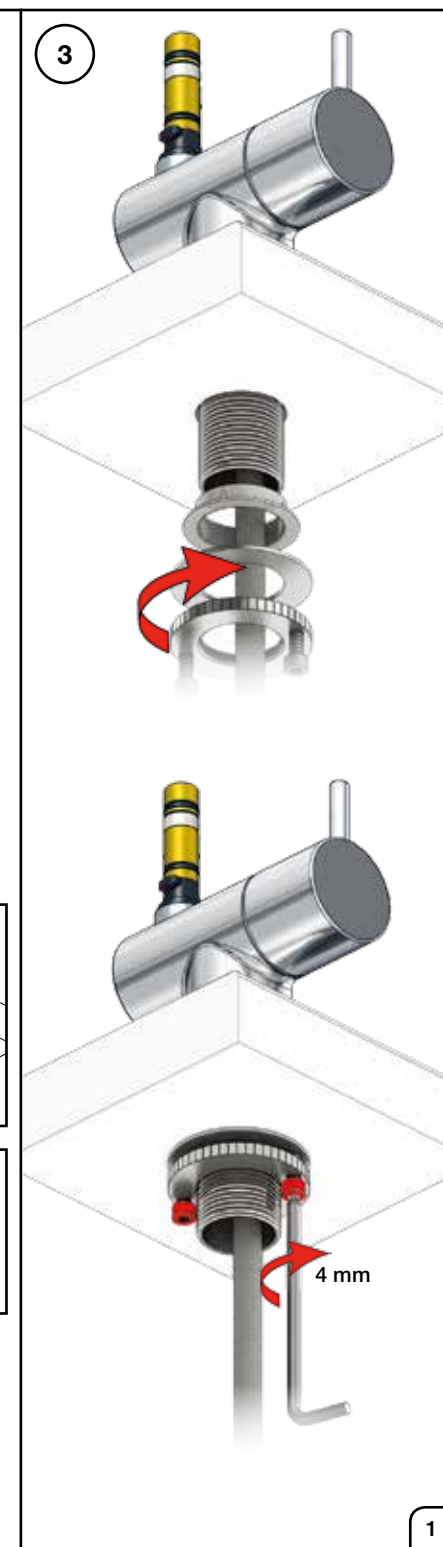
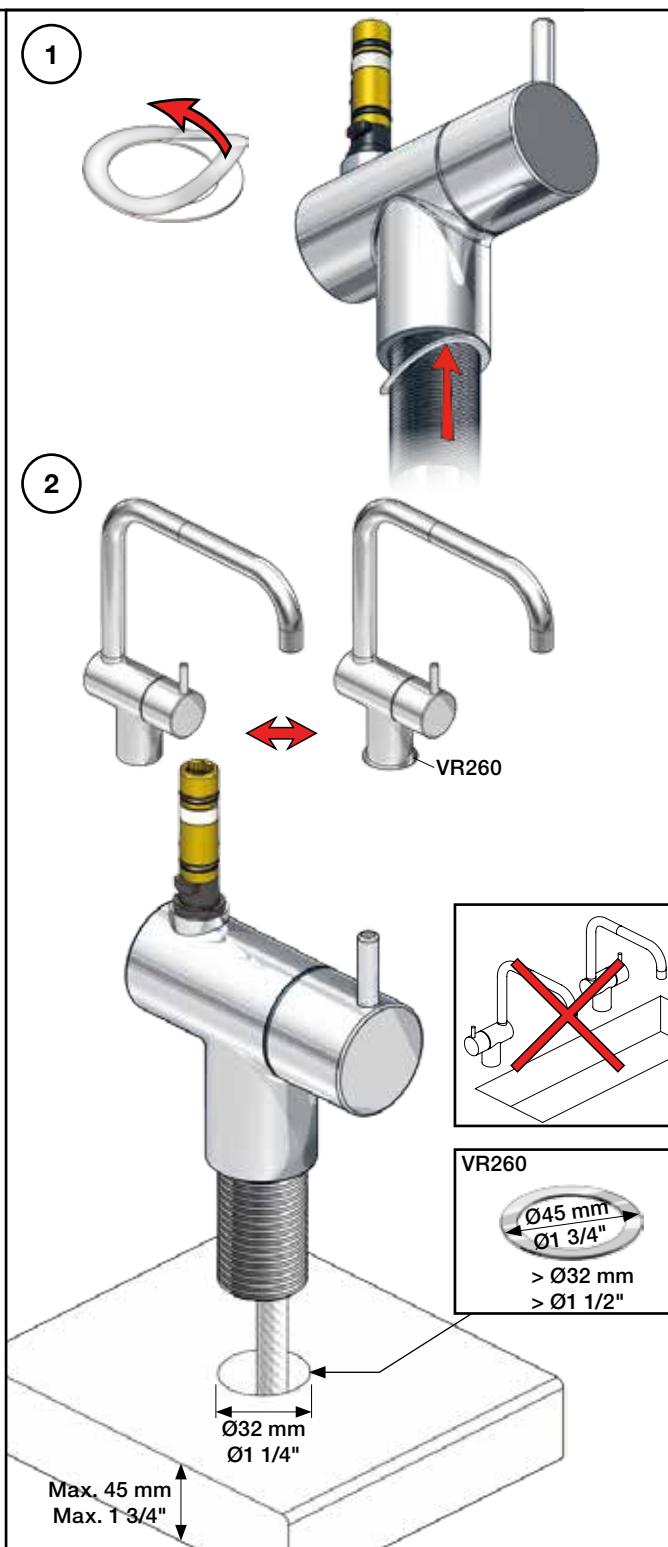
Fitting instruction  
 Montageanleitung  
 Monteringsvejledning  
 Monteringsvægledning  
 Montage hanleiding  
 Manuel de montage



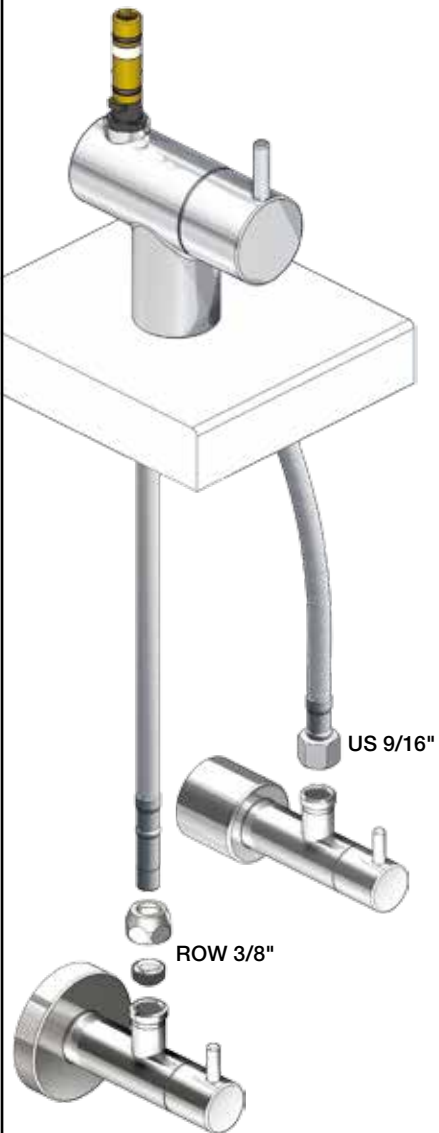
**Data, 3 Bar /43.5 Psi:**

	l/min.	Gal/min.
KV8:	9,0	2.4

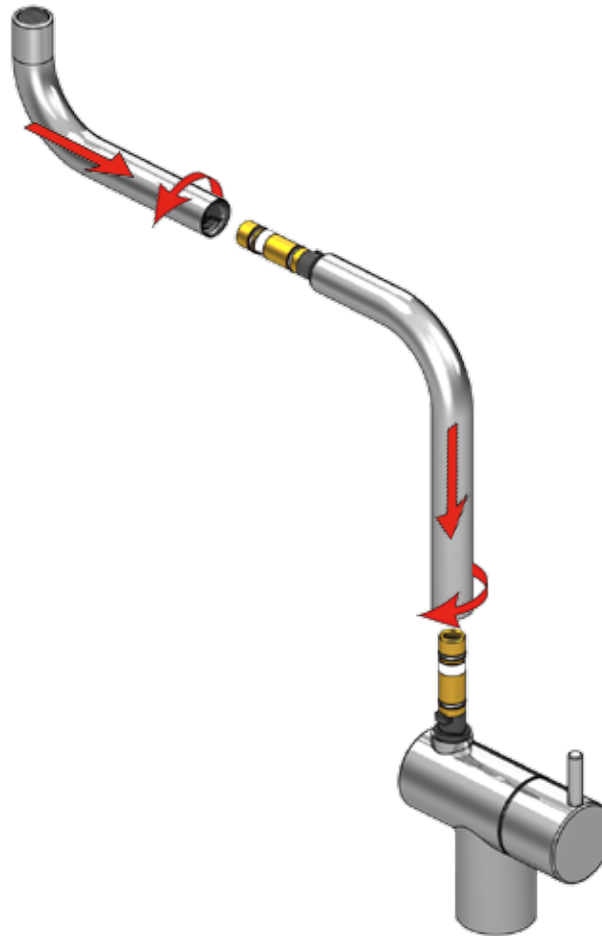
Max. 65°C, 150°F



4

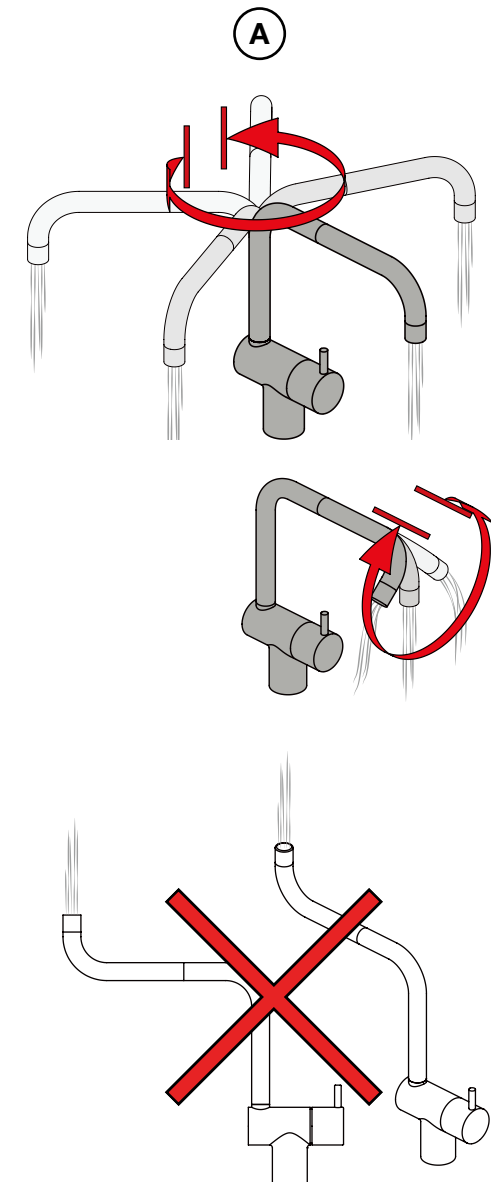


5

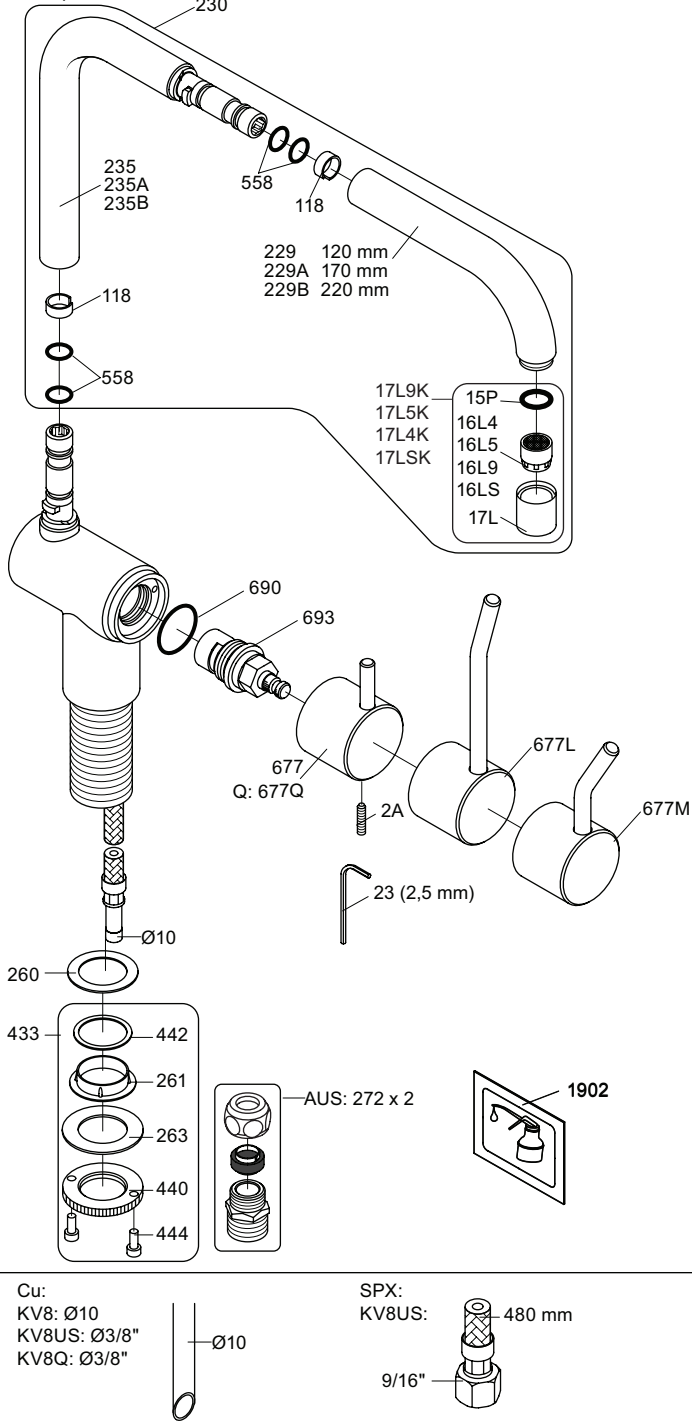


Operation  
Bedienung  
Betjening

Bruk  
Bedienung  
Fonctionnement

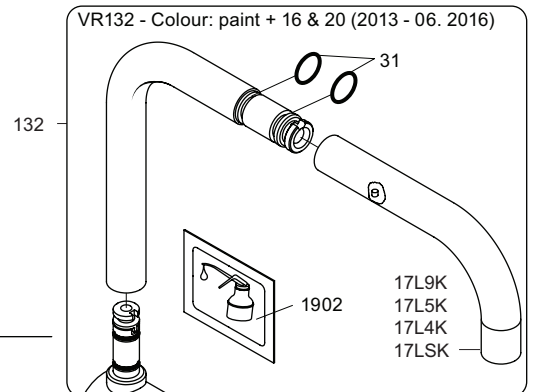
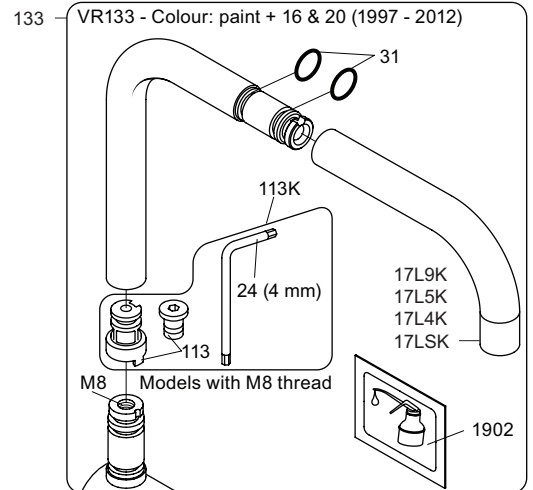
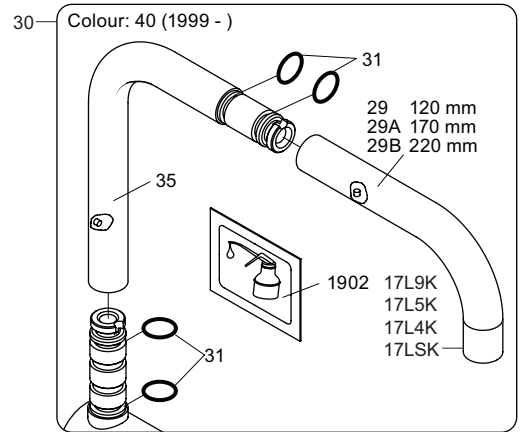


Colour: paint + 16, 19, 20, 230



Cu:  
KV8: Ø10  
KV8US: Ø3/8"  
KV8Q: Ø3/8"

SPX:  
KV8US: 480 mm  
9/16"



- NR.7/L/M: VR2A, VR677/L/M
- VR17L4K: VR15P, VR16L4, VR17L (US Standard)
- VR17L5K: VR15P, VR16L5, VR17L
- VR17L9K: VR15P, VR16L9, VR17L
- VR17LSK: VR15P, VR16LS, VR17L
- VR30: VR15P, VR16L9, VR17L, VR29, 4xVR31, VR35, VR1902 (F40) (and KV8 from 1972 - 1996)
- VR132: VR15P, VR16L9, VR17L, 2xVR31, VR1902 (2013 - 06. 2016)
- VR133: VR15P, VR16L9, VR17L, VR24, 2xVR31, VR113, VR1902 (1997 - 2012)
- VR230: VR15P, VR16L9, VR17L, 2xVR118, VR229, VR235, 4xVR558, VR1902 (06-2016 -)
- VR438: VR96, VR98, 2xVR444, VR450, VR451
- VR693K: VR23, VR693



**vola**  
Lunavej 2  
DK-8700 Horsens  
Tlf : + 45 7023 5500  
sales@vola.com  
www.vola.com

## VOLA KV8

Date  
Sep. 17

Rev.  
9

Sheet  
SB25.1