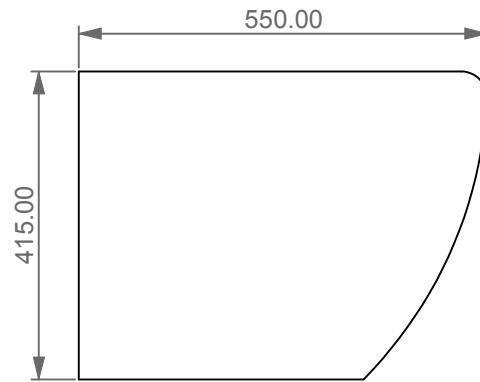


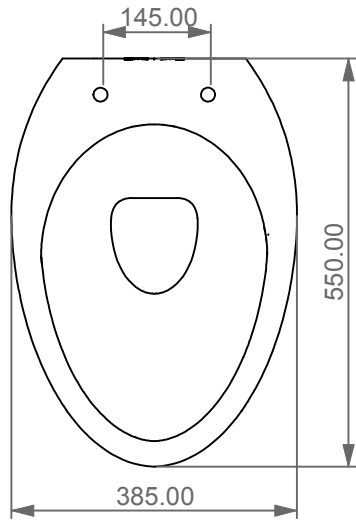
FRONT



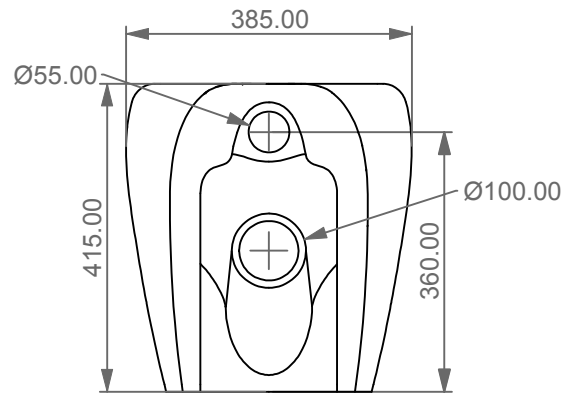
LEFT

**GSG**  
CERAMIC DESIGN

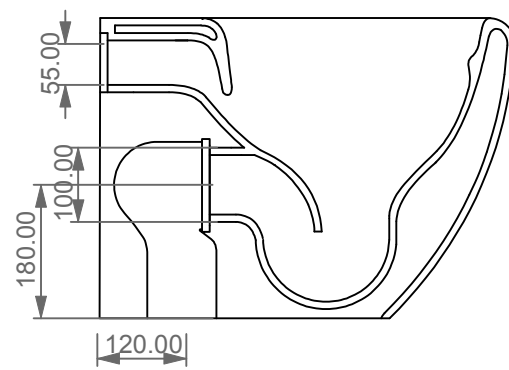
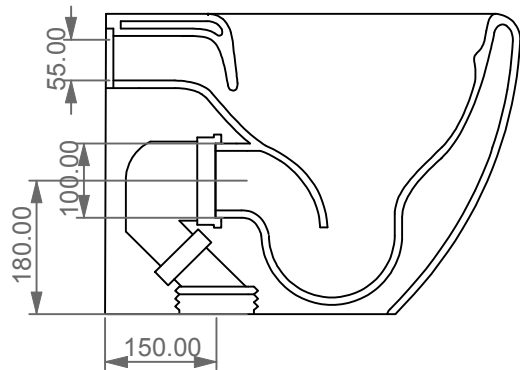
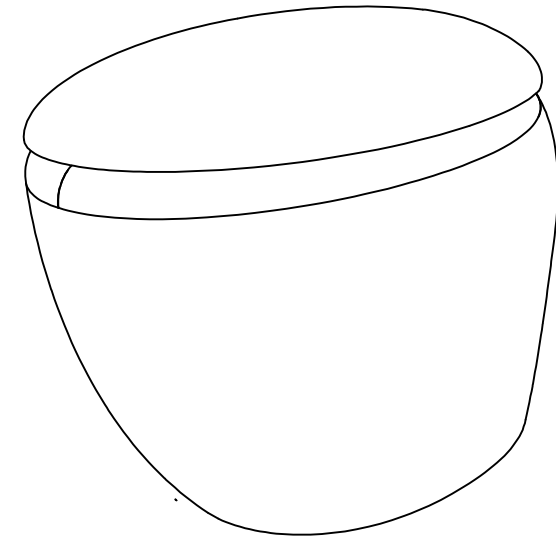
Vaso a terra Touch scarico a parete  
convertibile a pavimento con curva tecnica  
Touch wc back to wall, wall drain suitable  
for floor drain with technical elbow



TOP



REAR



SECTION

Con connessione eccentrica per scarico a suolo.  
With outlying drainage connector for floor trap.

Designation  
Vaso a terra Touch scarico a parete  
convertibile a pavimento con curva tecnica  
Touch wc back to wall, wall drain suitable  
for floor drain with technical elbow

Scale  
1:10

cod. TOWC01SC

**GSG**  
CERAMIC DESIGN

This drawing including the respected data may neither be duplicated nor modified nor altered without the consent of GSG Ceramic Design. The use of the data/technical drawings take place at users own risk and under exclusion of any liability of GSG Ceramic Design. The dimensions are not binding; products are subject to changes. Measurement shown may be subjected to small variations or are indicative.

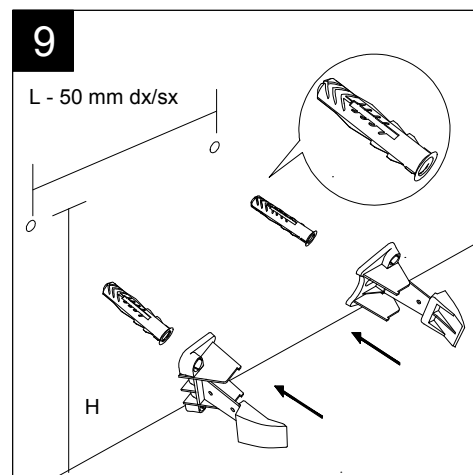
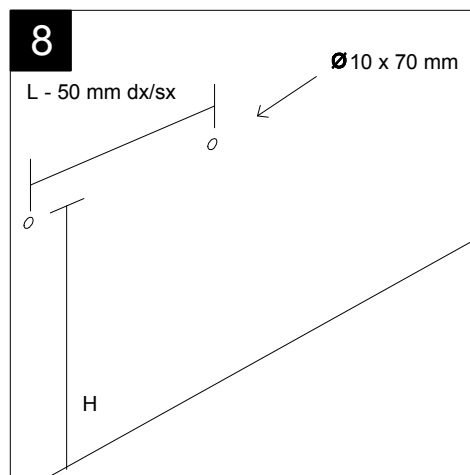
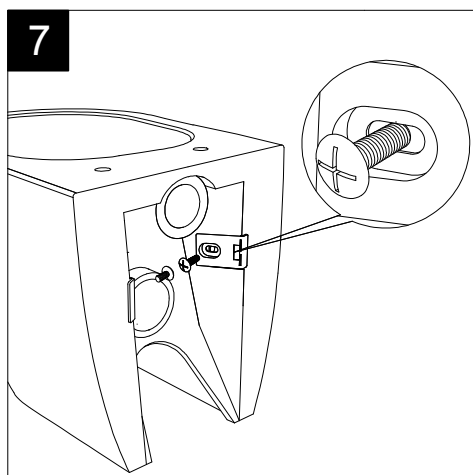
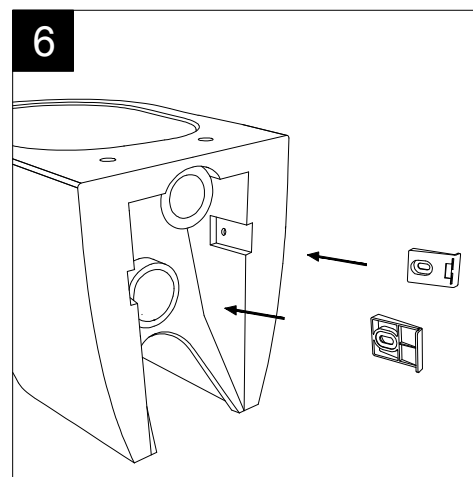
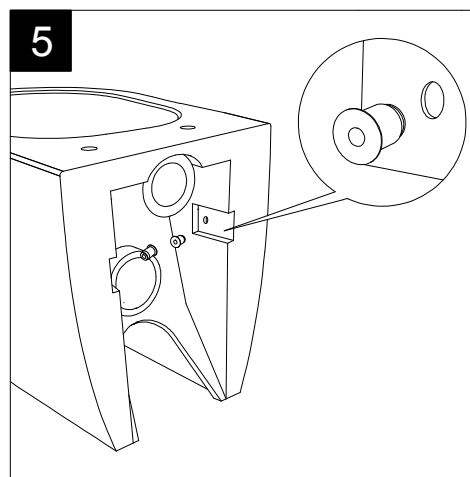
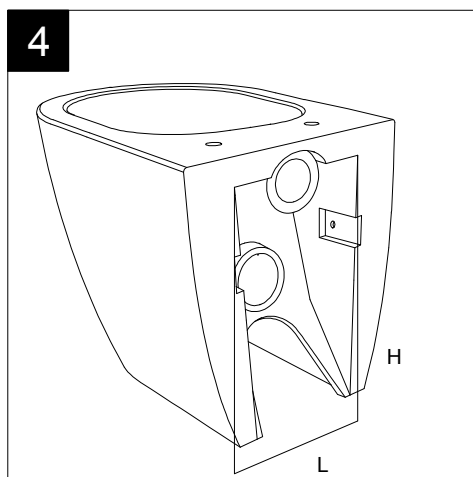
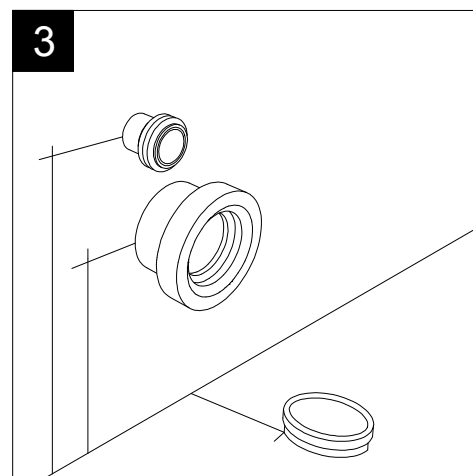
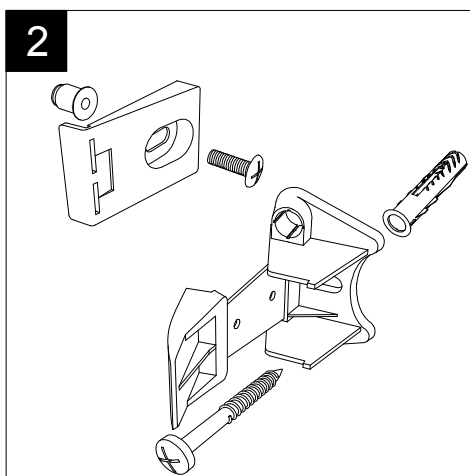
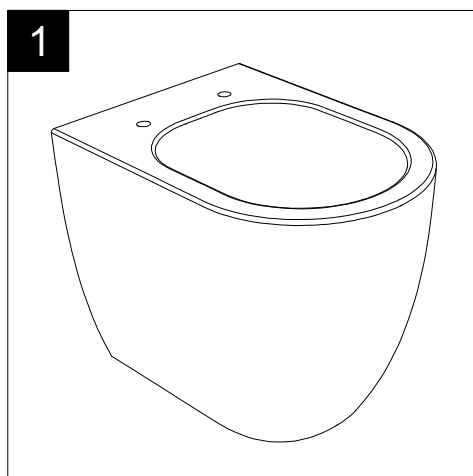
Guida all'installazione dei vasi a pavimento con kit di fissaggio a parete nascosto (cod. ACS51)

Serie: LIKE - BRIO - TOUCH - FLUT - SPEED

Installation guide for floor standing wc's with wall hidden fixing kit (cod. ACS51)

Serie: LIKE - BRIO - TOUCH - FLUT - SPEED

①



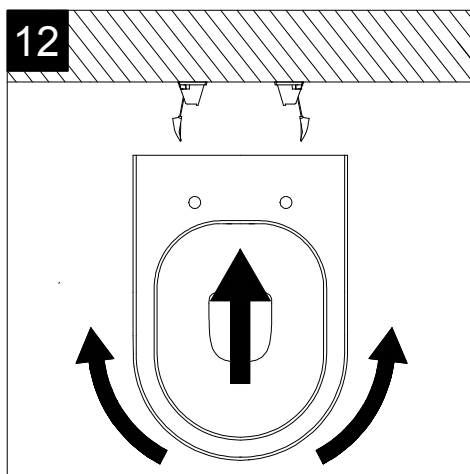
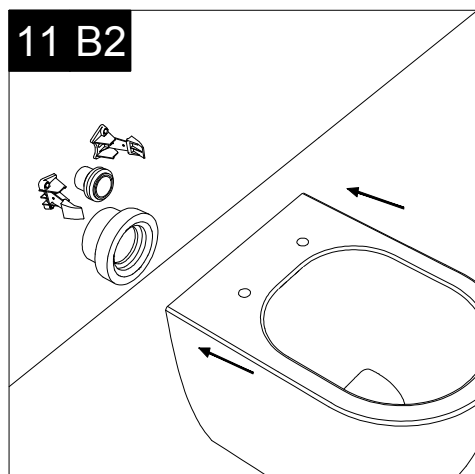
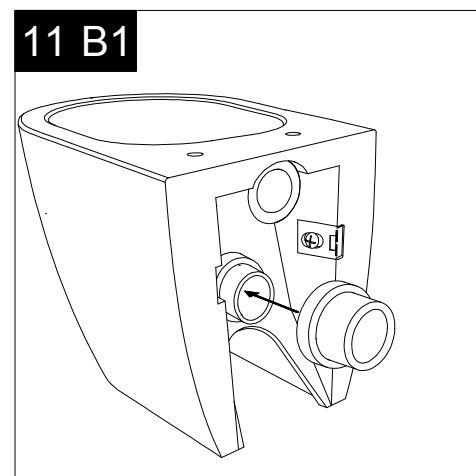
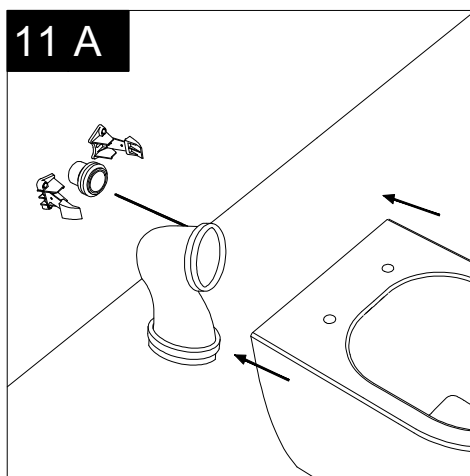
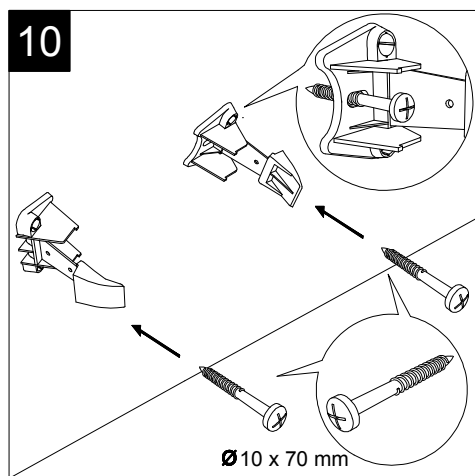
Guida all'installazione dei vasi a pavimento con kit di fissaggio a parete nascosto (cod. ACS51)

Serie: LIKE - BRIO - TOUCH - FLUT - SPEED

*Installation guide for floor standing wc's with wall hidden fixing kit (cod. ACS51)*

*Serie: LIKE - BRIO - TOUCH - FLUT - SPEED*

②



**4**