

Features

- Single-speed whirlpool offers performance and value, with 6 fully adjustable jets.
- Hydromassage flow and direction can be controlled at each jet.
- Built-in heater.
- Oval-shaped basin creates a graceful and spacious bathing experience.
- Molded lumbar support and armrests offer extra comfort while bathing.
- Integral flange helps prevent water from seeping behind wall and simplifies alcove installation.

Material

- Acrylic.

Hydrotherapy

- Whirlpool.

Installation

- Right drain.
- Alcove.

Recommended Products/Accessories

- K-1284 Removable Apron
- K-24916 Wireless Music Kit
- K-23726 Drain treatment
- K-23732 Tub & shower cleaner
- K-37380 30" Rough-in Cable Bath Drain
- K-37383 Rough-in cable bath drain, PVC, 30" cable with tubing
- K-7265 Clearflo Bath Drain
- K-37386 rough-in cable drain, PVC, 30" cable
- K-7213 27" Cable Bath Drain
- K-7166-AF Bath Drain
- K-7161-AF 1-1/2" adjustable pop-up drain above- or through-floor
- K-7214 27" Cable Bath Drain
- K-7259 Clearflo Bath Drain



Codes/Standards

ASME A112.19.7/CSA B45.10
CSA B45.5/IAPMO Z124
UL 1795




**KOHLER® Plastic Baths and Receptors
Lifetime Limited Warranty
KOHLER® Hydrotherapy Components
Five-Year Limited Warranty**

See website for detailed warranty information.

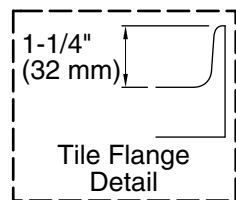
Available Colors/Finishes

Color tiles intended for reference only.

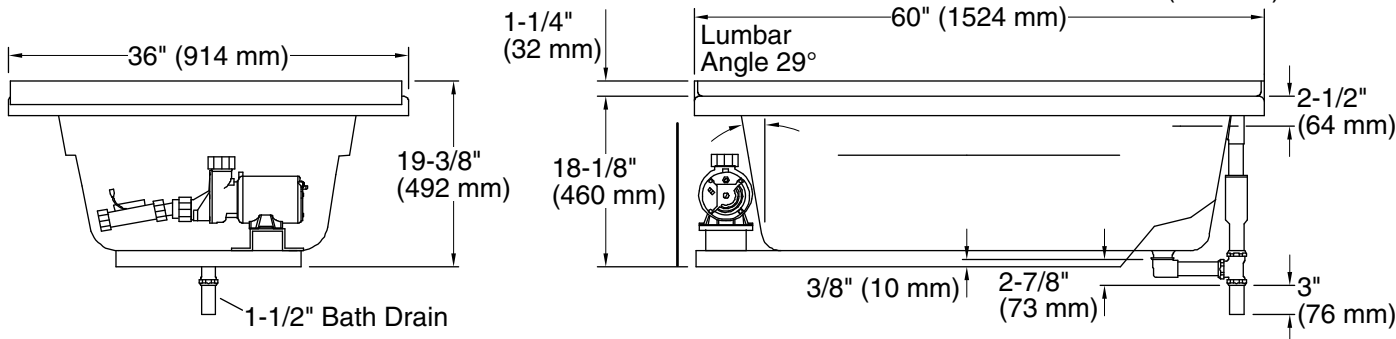
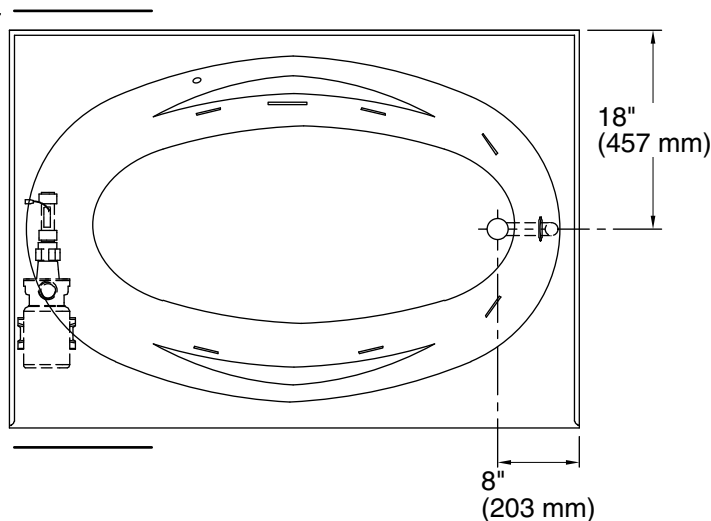
Color	Code	Description
-------	------	-------------

	0	White
	96	Biscuit
	47	Almond

No change in measurements if connected with drain illustrated. (K-11677)



Pump/Control Access
(If Apron Is Not Used)
20" (508 mm) W x
15" (381 mm) H



Required Electrical Service

Two dedicated circuits required, protected with Class A Ground-Fault Circuit-Interrupter (GFCI). Outside North America, this device may be known as a Residual Current Device (RCD).

Pump: 120 V, 15 A, 60 Hz
Heater: 120 V, 15 A, 60 Hz

Technical Information

All product dimensions are nominal.

Installation: Three-wall alcove
Drain location: Right
Basin area, bottom: 46" x 23" (1168 mm x 584 mm)
Basin area, top: 55" x 25" (1397 mm x 635 mm)
Weight: 60 lbs (27.2 kg)
Minimum floor load: 37 lbs/ft² (180.6 kg/m²)
Water depth: 14" (356 mm)
Water capacity: 57 gal (215.8 L)
Cutout: Drop-in, 58-1/2" x 34-1/2" (1486 mm x 876 mm)
Electrical component rating: Pump: 120 V, 7.5 A, 60 Hz
Heater: 120 V, 12.5 A, 60 Hz, 1500 W
Pump speed: Single

Notes

Measure your actual product for rough-in details. Install this product according to the installation instructions.

The hot water supply should be 70% of the capacity of the bath or greater. Installations will vary.