



**JOT MOBILE GLASSBOARD™**

PRODUCT DATA





# JOT MOBILE GLASSBOARD™

PRODUCT DATA

Jot is a double-sided, magnetic glassboard with sleek aesthetics and mobile, go-anywhere appeal. Standard in white, Jot incorporates ultra-thin, ultra-durable Diamalite glass with a magnetic interlayer. The glass is erasable, non-ghosting and easily cleaned. Jot's aluminum frame has a durable powdercoat finish. Full-rotation lockable casters provide seamless mobility and keep fixtures in place till you're ready to roll.

Jot's human-centric design accounts for the typical width/height span of working write-ability. This ensures comfortable access from almost any position—whether you're sitting, standing or somewhere in between. Angled legs make it easy to arrange Jot in different layouts. They also take you from in-use to in-storage quickly and efficiently: glassboards nest for a minimal, space-saving footprint.

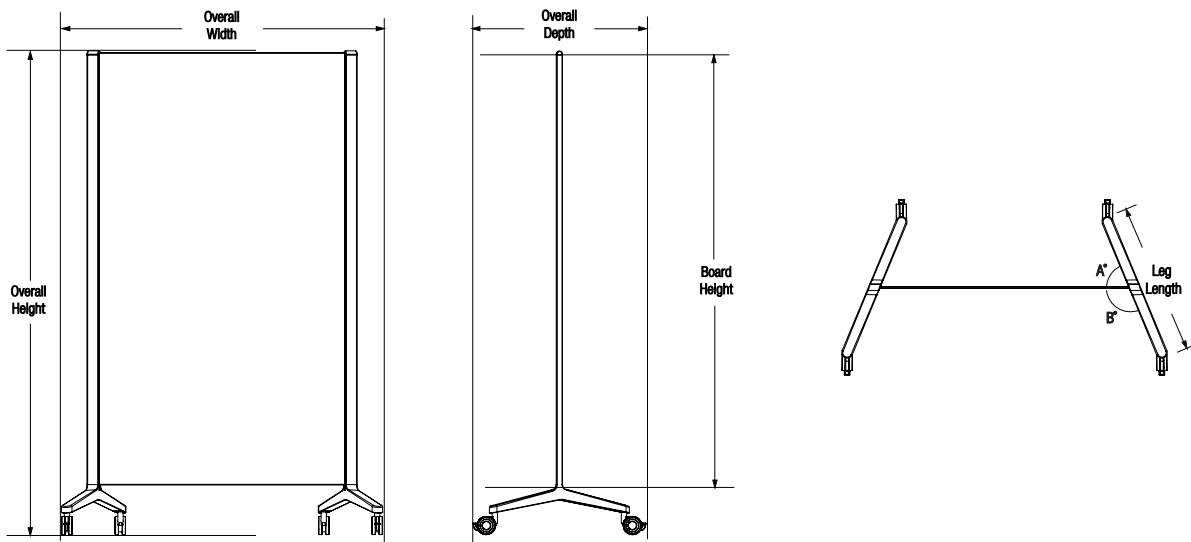
Agile. Intelligent. Designed to keep up with changing needs, Jot glassboards can be combined and separated at will; no mechanical fasteners or add-on parts are required. Whether you're planning a new space, adapting an old one, or moving your meetings around, Jot is a great way to invite collaboration, define and re-define space, and create formal or impromptu huddle zones, project rooms, and other work areas where seeing your ideas in front of you helps inspire productive solutions.

## PRODUCT DETAILS

MATERIALS & CONSTRUCTION	INSTALLATION & USE	MAINTENANCE
<ul style="list-style-type: none"> <li>Glass is ultra-thin Diamalite glass with a magnetic interlayer.</li> <li>Glass color is standard in Ultra White with Standard finish.</li> <li>Frame is extruded aluminum with cast aluminum legs, standard in White Texture powdercoat finish.</li> <li>Forms+Surfaces powdercoat finishes have been formulated to be ultra-durable for improved long-term wear and use. Our powdercoat colors are also anti-graffiti, allowing marks from paint, permanent markers, and dirt to be easily removed.</li> <li>The frame sits on four 360° rotating high-durability lockable casters.</li> <li>Two white injection-molded plastic marker holders backed with felt erasers ship with each Jot glassboard.</li> </ul>	<ul style="list-style-type: none"> <li>Jot arrives fully assembled in one crate. Take caution when unpacking.</li> <li>We recommend using standard dry erase markers, such as Expo® Dry Erase or Staples® Remarx markers on Jot Mobile Glassboards.</li> <li>For more vibrant colors, Expo Wet Erase markers can be used.</li> </ul>	<ul style="list-style-type: none"> <li>Jot can be cleaned using any glass cleaner and a microfiber towel, Expo disposable wipes or Windex® disposable wipes.</li> <li>Expo® Dry Erase and Staples® Remarx markers can be dry erased with a microfiber towel or standard white board eraser.</li> </ul>

Expo® is a registered trademark of Sanford, Oak Brook, IL; Windex® is a registered trademark of S. C. Johnson & Son, Inc.; Staples® and Remark™ are registered trademarks of Staples, Inc.

## NOMINAL DIMENSIONS



OVERALL HEIGHT	OVERALL WIDTH	OVERALL DEPTH	BOARD HEIGHT	BOARD WIDTH	LEG LENGTH	A°	B°	WEIGHT
77.75" (1975 mm)	51" (1295 mm)	24" (610 mm)	69" (1753 mm)	39" (990 mm)	22" (559 mm)	67.50	112.50	112 lb (51 kg)

T 1.800.451.0410 | F 412.781.7840 | www.forms-surfaces.com

**FORMS+SURFACES®**

© 2018 Forms+Surfaces® | All dimensions are nominal. Specifications and pricing subject to change without notice.

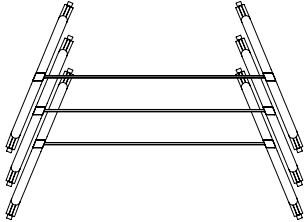
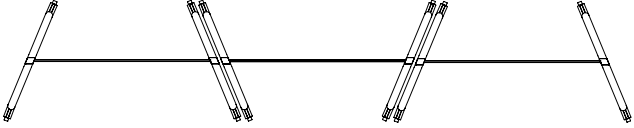
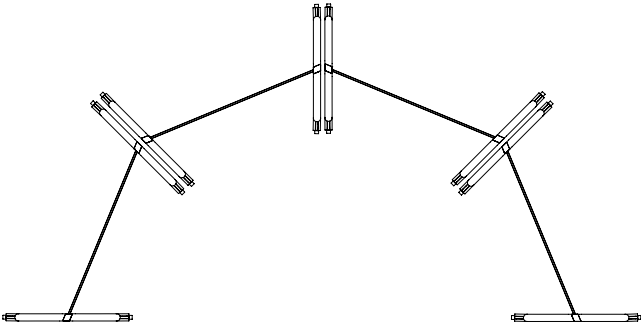
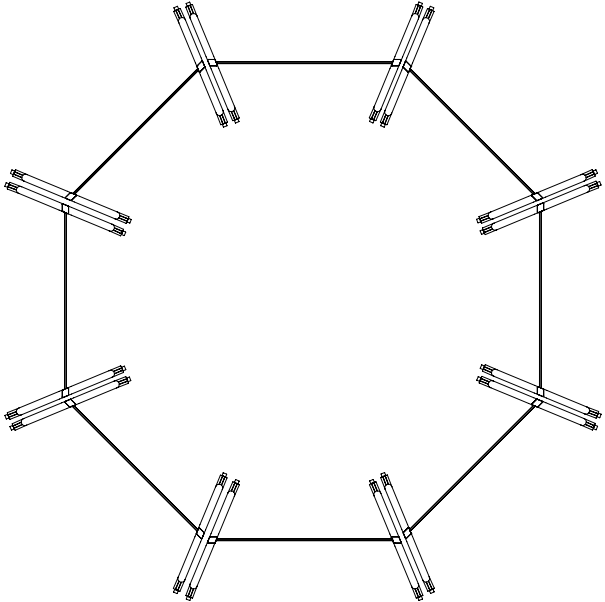


# JOT MOBILE GLASSBOARD™

PRODUCT DATA

## CONFIGURATIONS

Jot Mobile Glassboards can be arranged into a number of configurations to meet your evolving needs.

NESTING	LINEAR
 <p>Jot is designed to nest for a compact, space-saving storage solution—a plus, especially when space is at a premium.</p>	 <p>Extended surface area can be achieved by aligning boards side-by-side in alternating positions. Jot's angled legs create a secure lineup that eliminates the need for attachment clips between boards.</p>
SEMI-CIRCULAR	OCTAGONAL
 <p>Two or more boards can be used together to create angled layouts of different shapes and sizes.</p>	 <p>A closed octagonal shape can be created with eight boards. The closed shape has an inner diameter of approximately 105".</p>

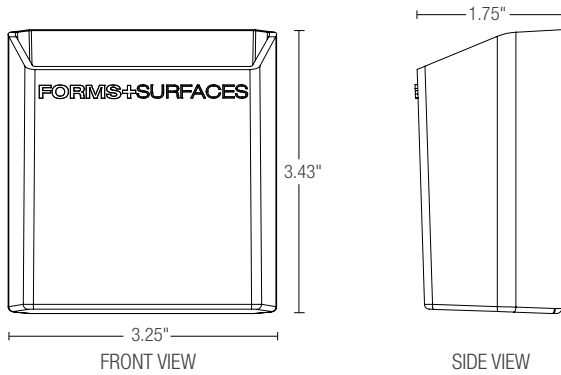


# JOT MOBILE GLASSBOARD™

PRODUCT DATA



## MARKER HOLDER AND ERASER

Each Jot Mobile Glassboard comes with two magnetic marker holders backed with erasers. Each holder accommodates up to four standard markers.



## MAGNETS

Magnets in one of two shapes can be purchased for use with Jot Mobile Glassboards.

<p><b>Cylinder</b>  <b>Material:</b> Nickel-plated Rare Earth magnet  <b>Size:</b> 7/16" diameter x 3/8" height  <b>Strength:</b> N42</p>		<p><b>Cube</b>  <b>Material:</b> Nickel-plated Rare Earth magnet  <b>Size:</b> 3/8" x 3/8" x 3/8"  <b>Strength:</b> N42</p>	
---	--	---	--

## LEAD TIME

6 to 8 weeks. Please contact us to discuss your specific timing requirements.

## PRICING

Please contact us at **800.451.0410** or **sales@forms-surfaces.com**. At Forms+Surfaces, we design, manufacture and sell our products directly to you. Our sales team is available to assist you with questions about our products, requests for quotes, and orders. Territory Managers are located worldwide to assist with the front-end specification and quoting process, and our in-house Project Sales Coordinators follow your project through from the time you place an order to shipment.