

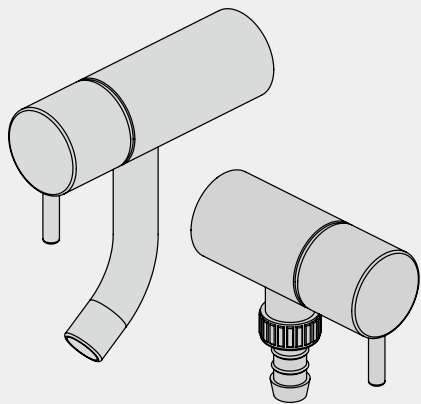
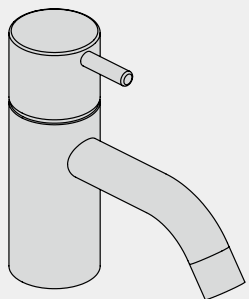
**VOLA RB1, RB3, RB4
VOLA SH1**

Fitting instruction
Montageanleitung
Monteringsvejledning
Monteringsvägledning
Montage hanleiding
Manuel de montage

RB1, RB3, RB4:



GODKENDT
TIL DRIKKEVAND



www.vola.com

vola

RB1- RB3 - RB4 - SH1 V4_40999835



5 703182 372600

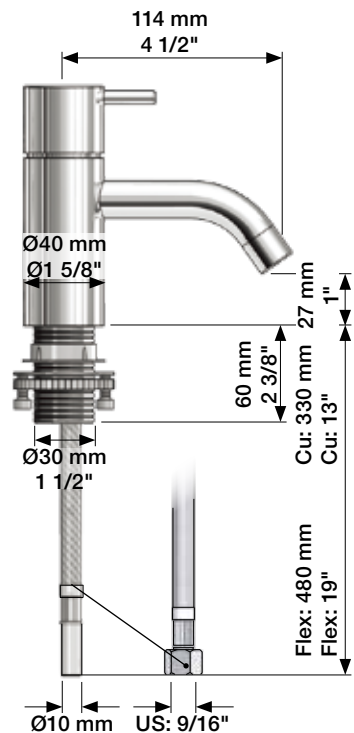
Data, 3 Bar/43.5 Psi:

Max.	l/min.	Gal/min.
RB1/3/4:	5,0	1,3
SH1	27,0	7,1

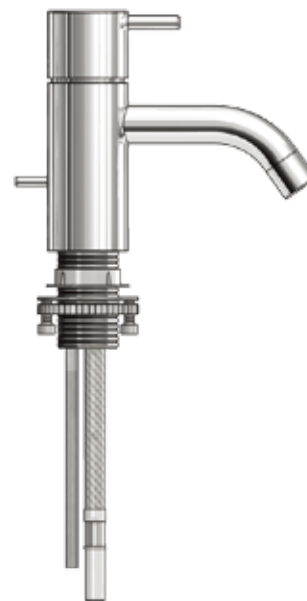


Max. 70°C, 158°F

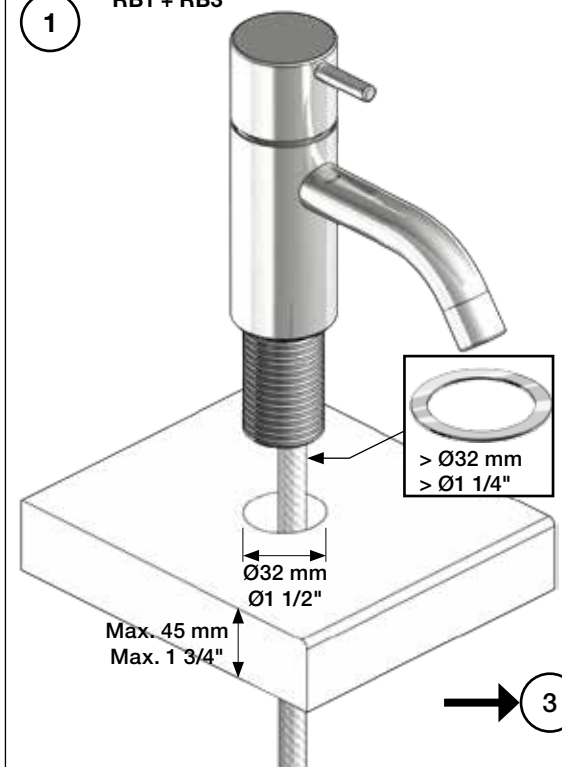
RB1



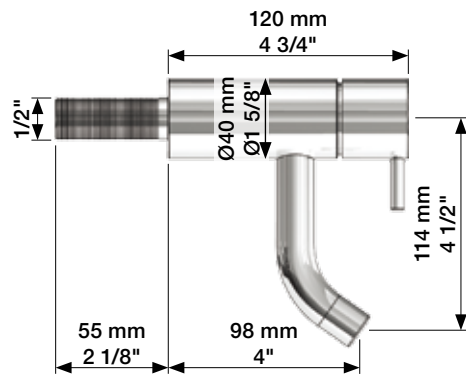
RB3



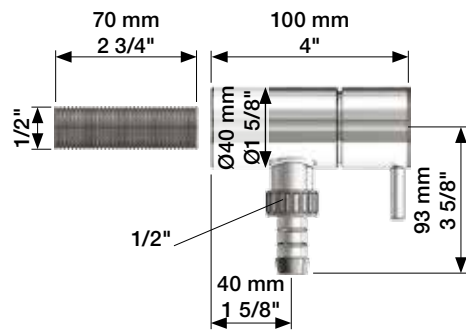
1 RB1 + RB3



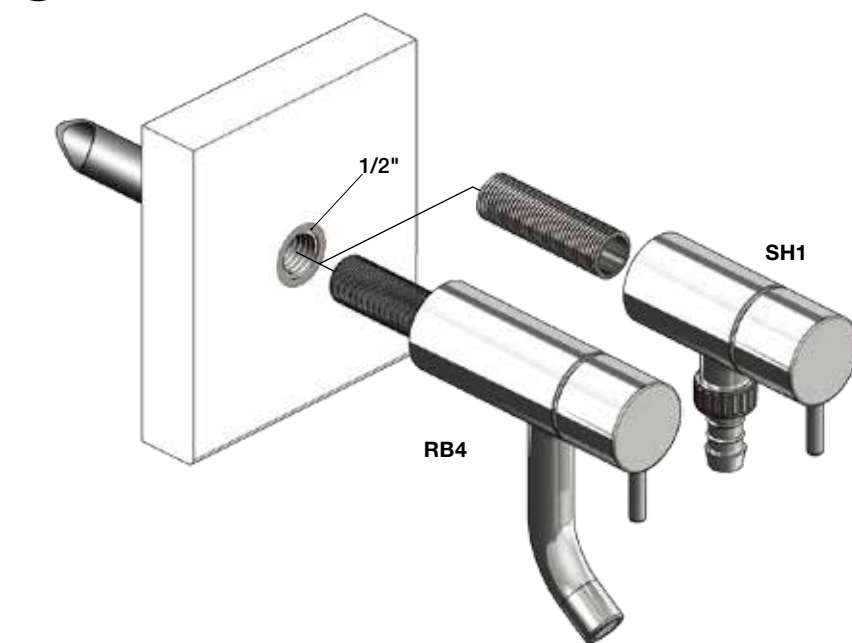
RB4



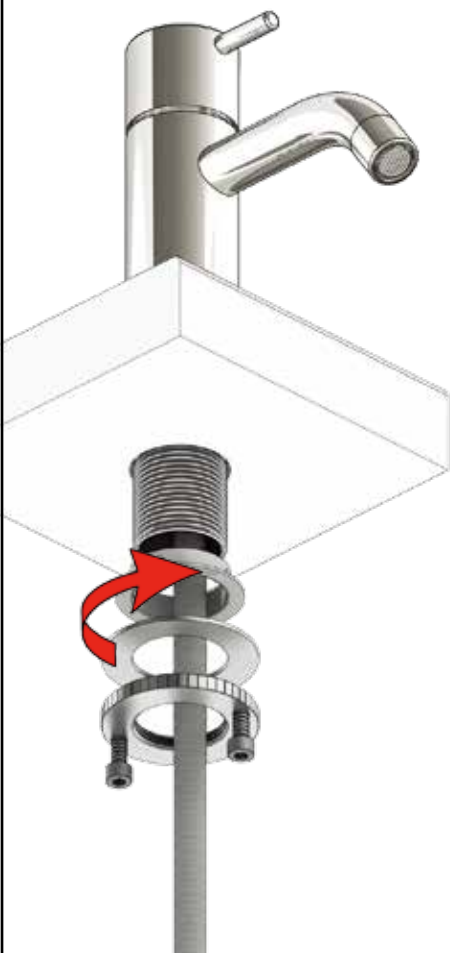
SH1



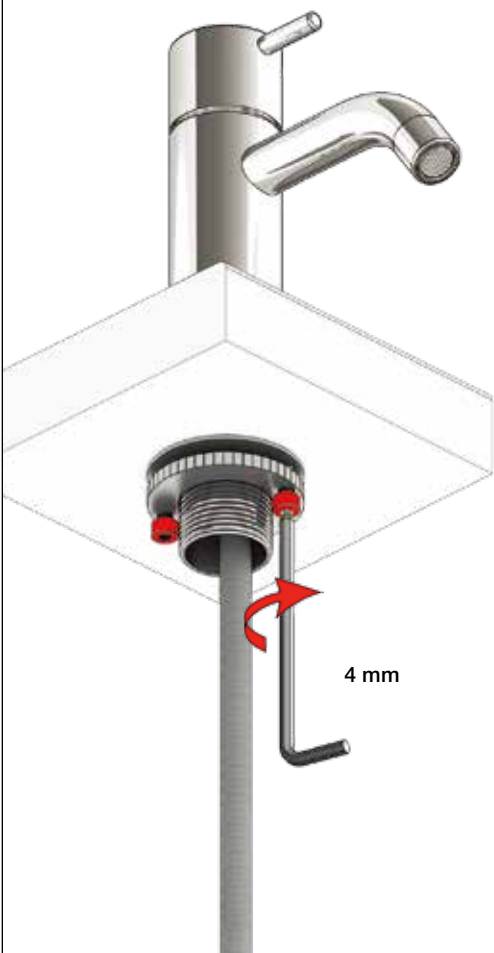
2 RB4 + SH1



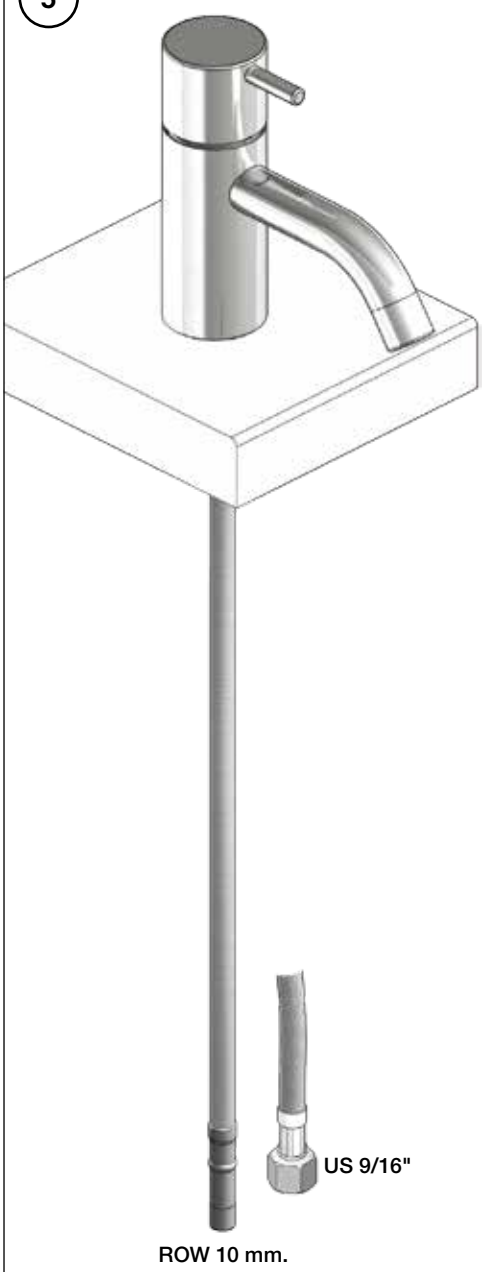
3



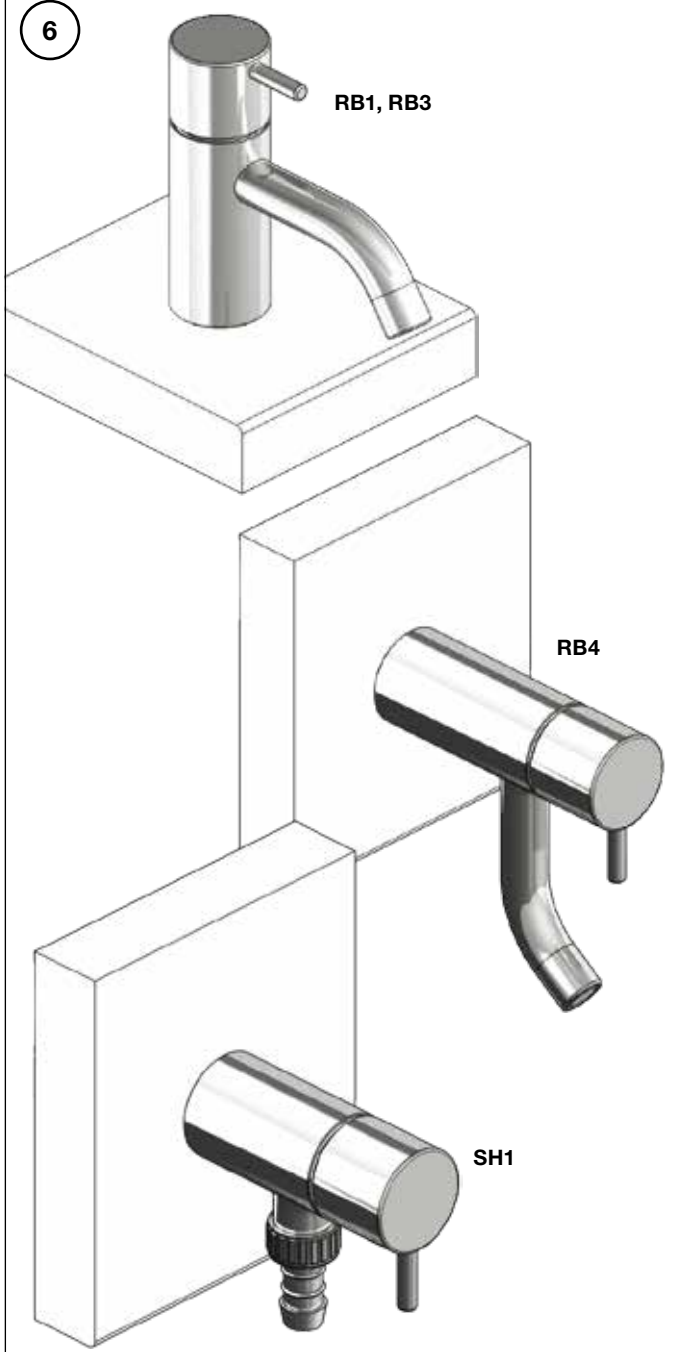
4

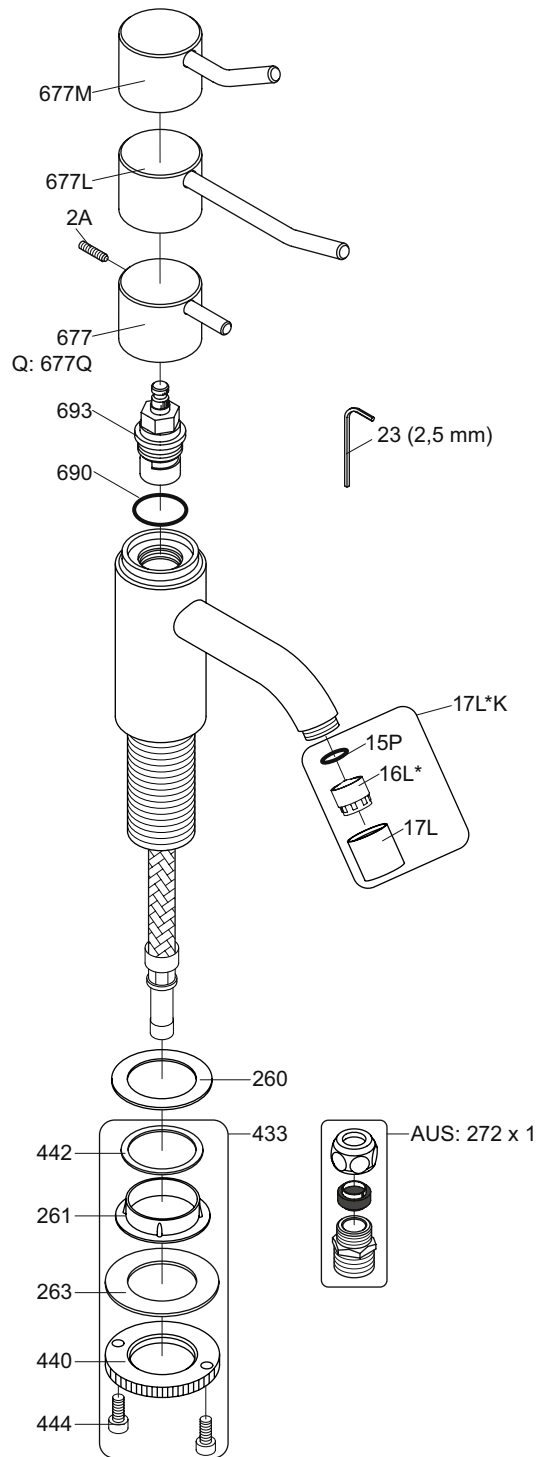


5



6





NR.7/L/M: VR2A, VR677/L/M
 *VR17L4K: VR15P, VR16L4, VR17L (US Standard)
 *VR17L5K: VR15P, VR16L5, VR17L
 *VR17L9K: VR15P, VR16L9, VR17L
 *VR17LSK: VR15P, VR16LS, VR17L
 VR433: VR261, VR263, VR440, VR442, 2xVR444
 VR693K: VR23, VR693



vola
 Lunavej 2
 DK-8700 Horsens
 Tlf : + 45 7023 5500
 Fax: + 45 7023 5511
 sales@vola.com
 www.vola.com

VOLA RB1

Date
Aug. 17

Rev.
6

Sheet
SB 28.2