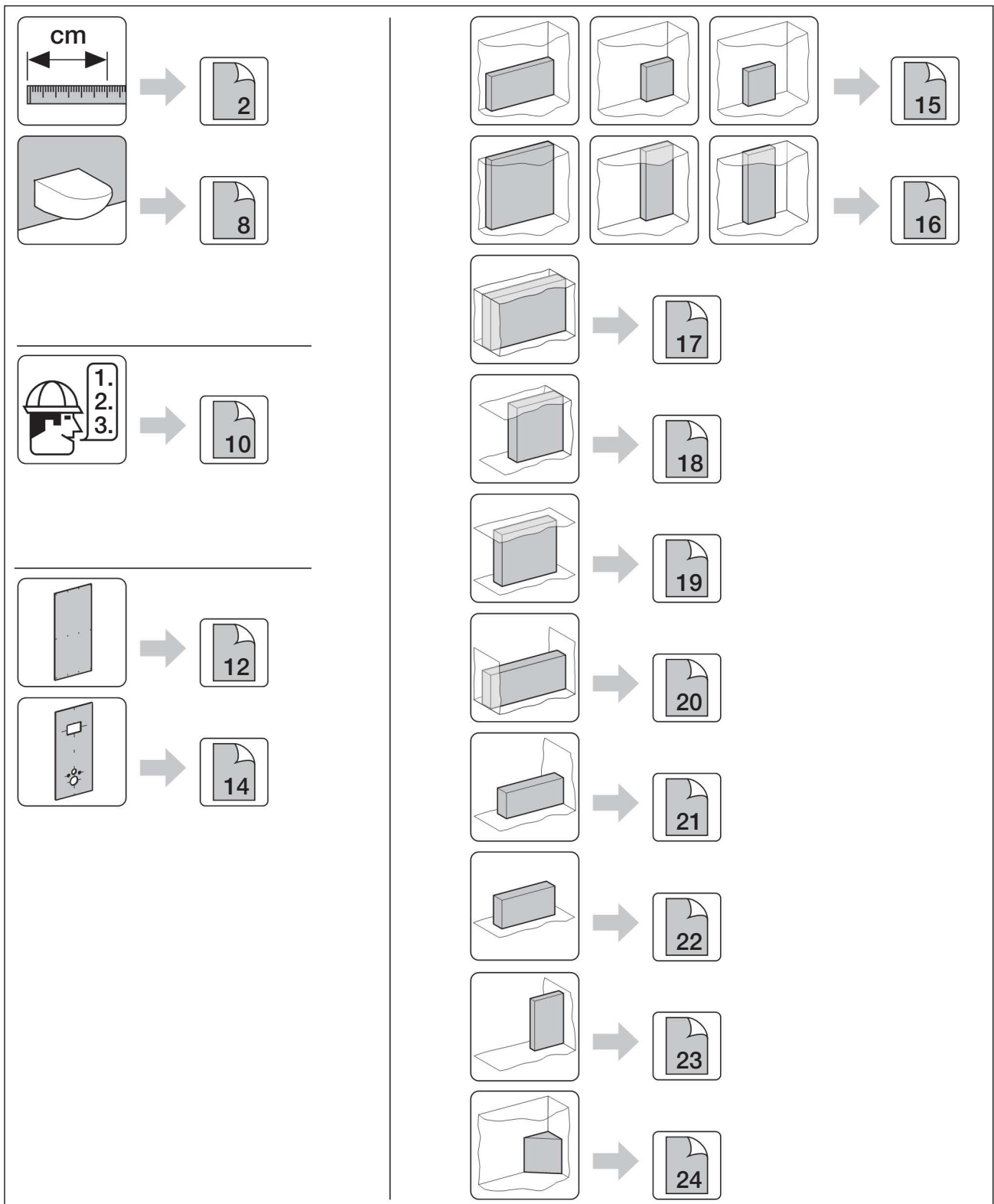
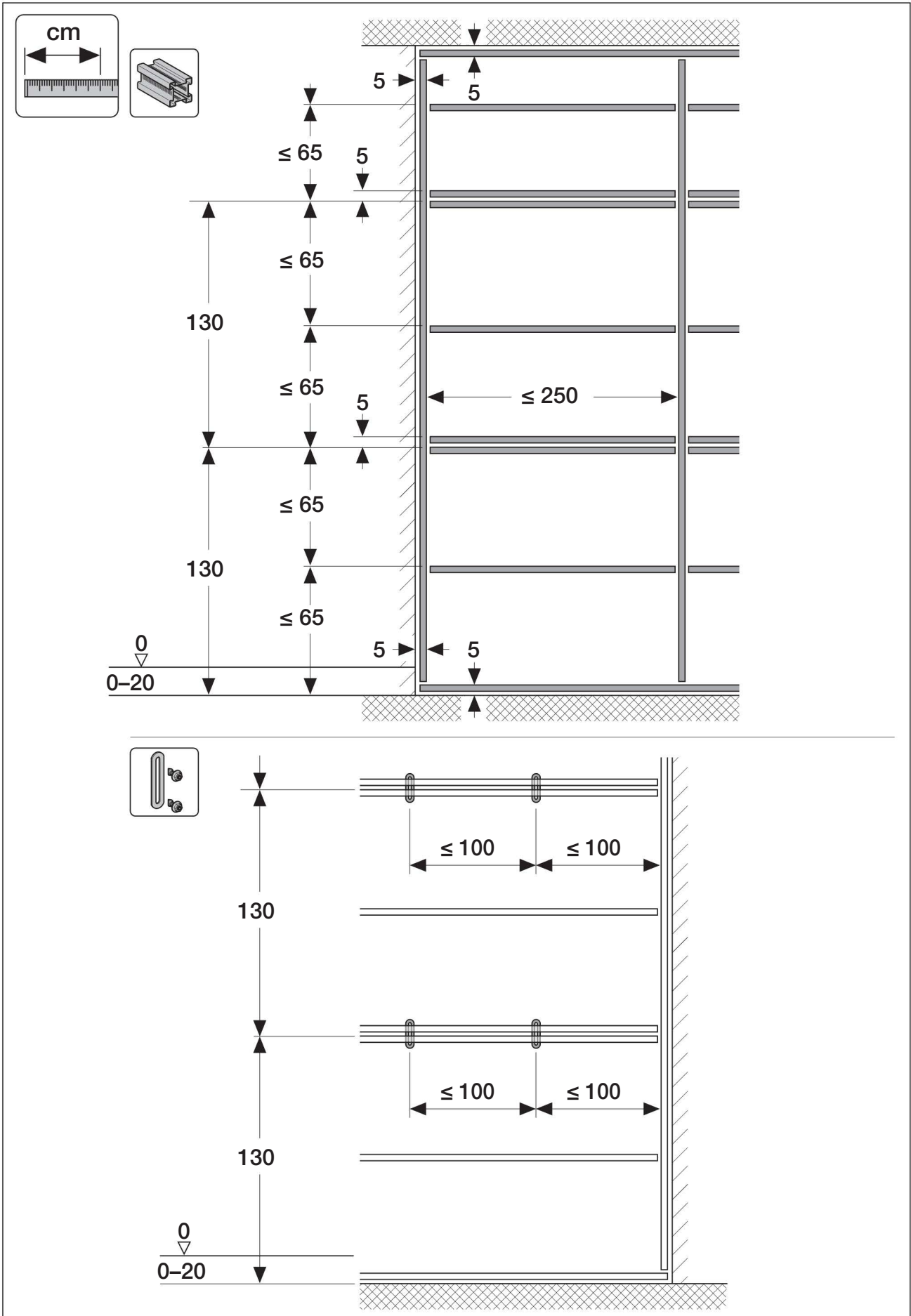
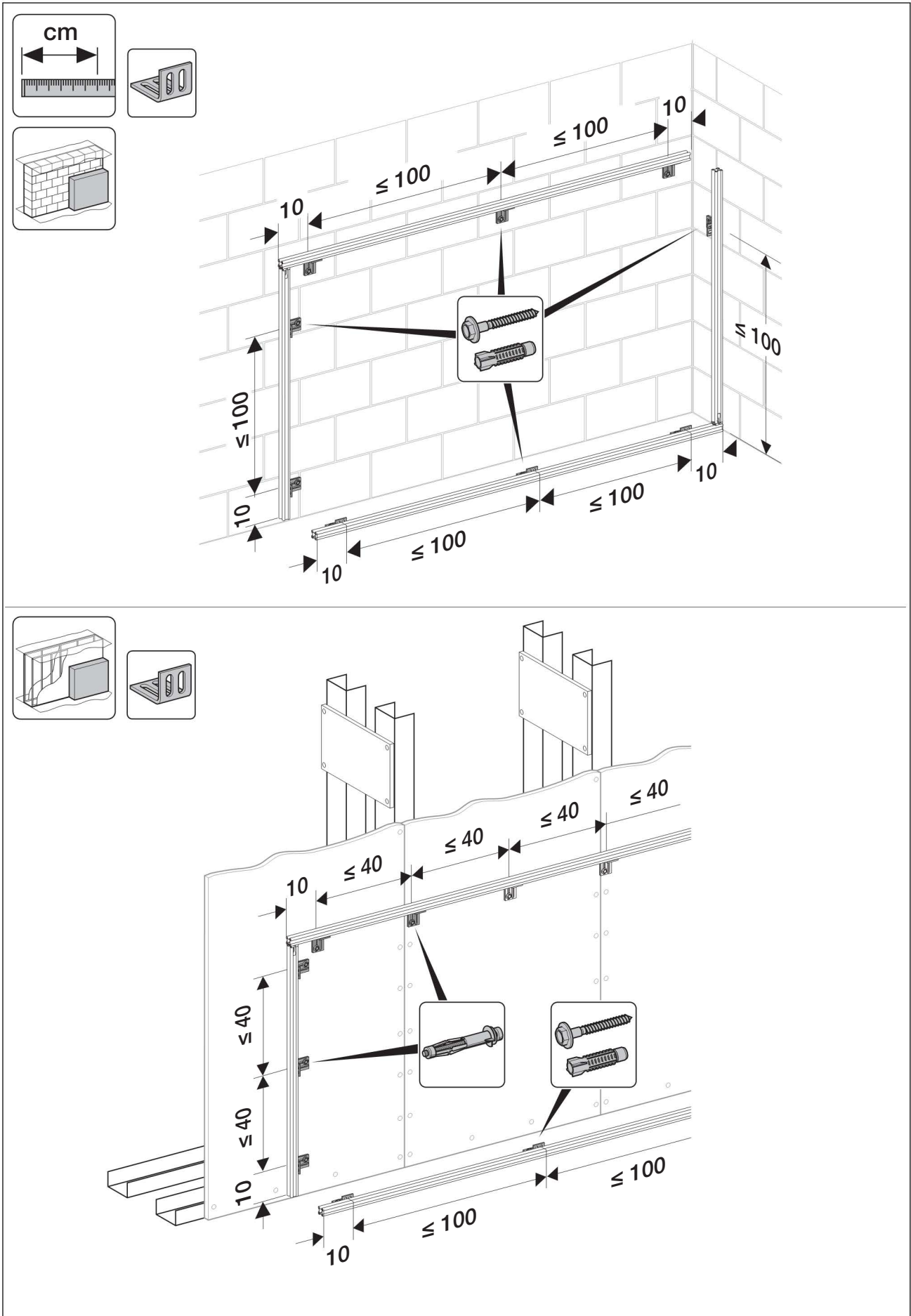


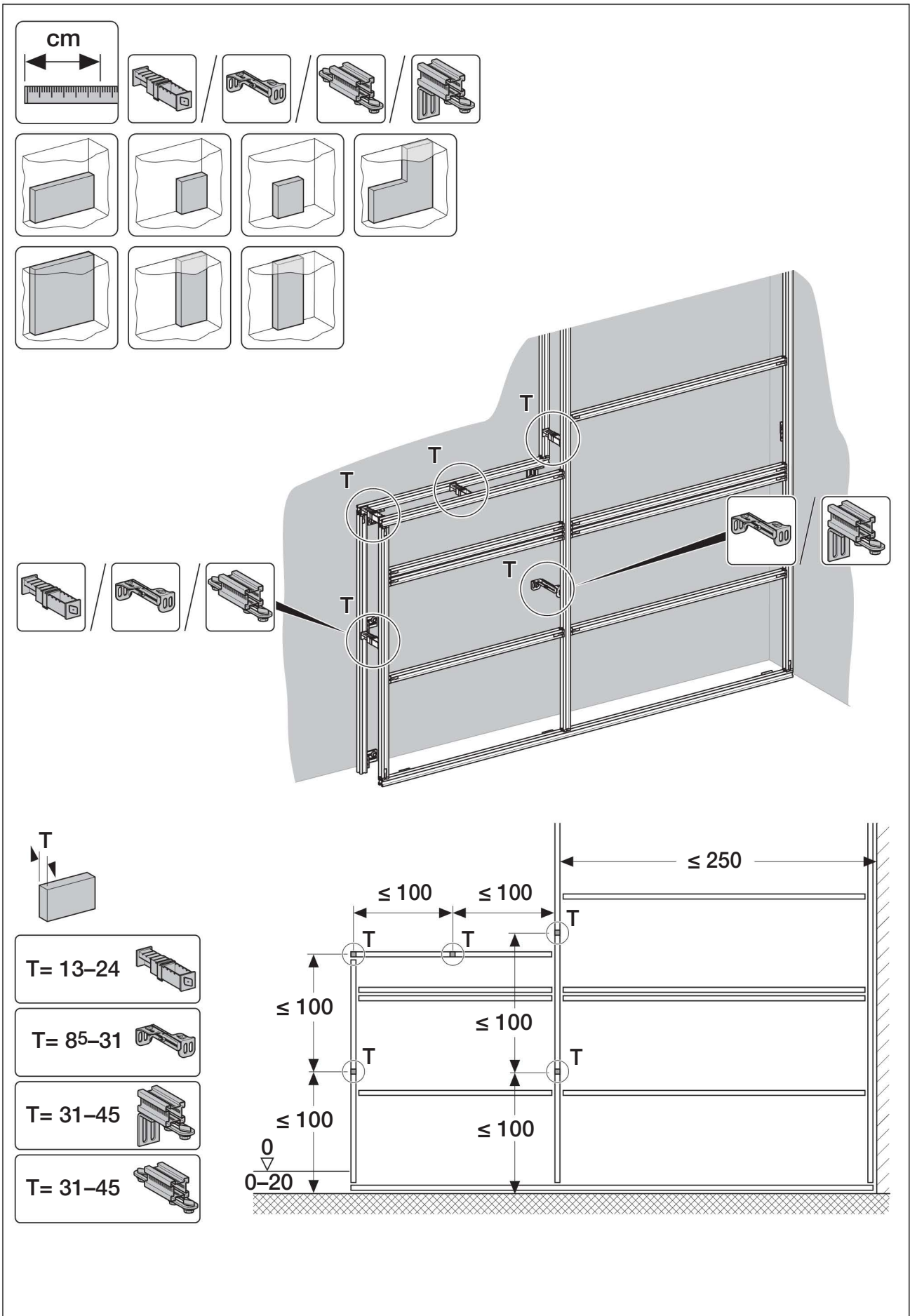
## GIS System

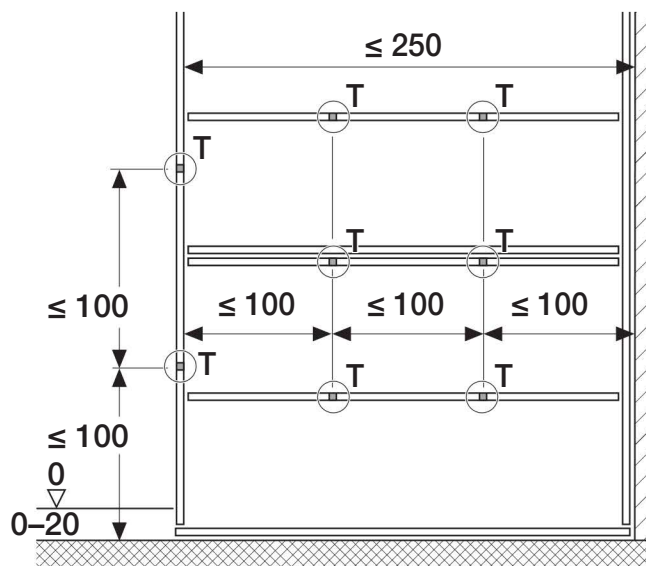
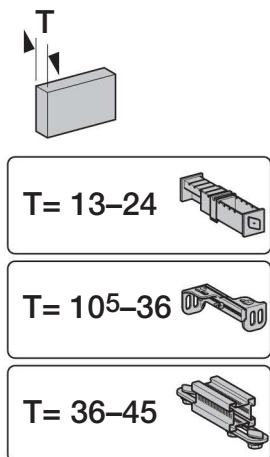
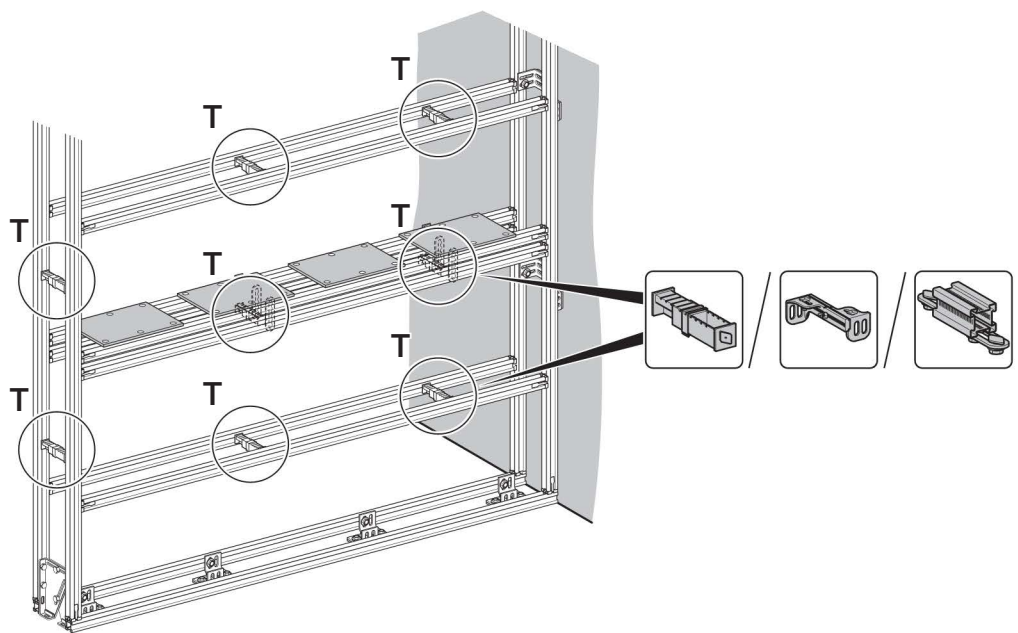
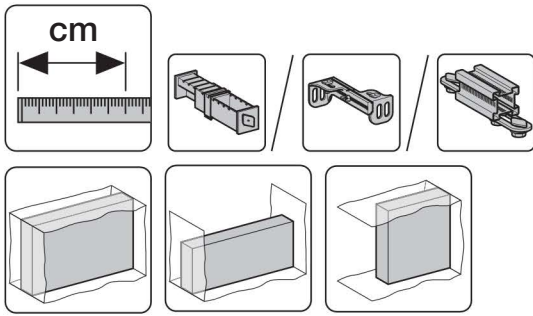


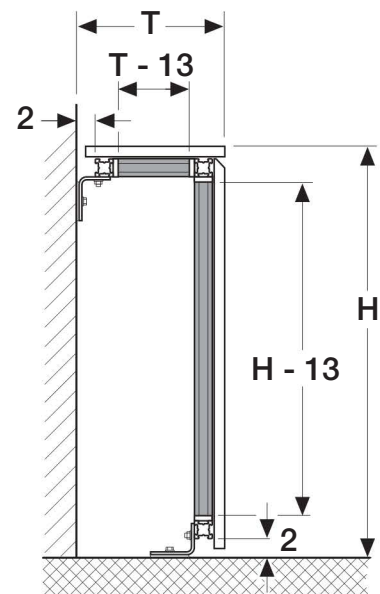
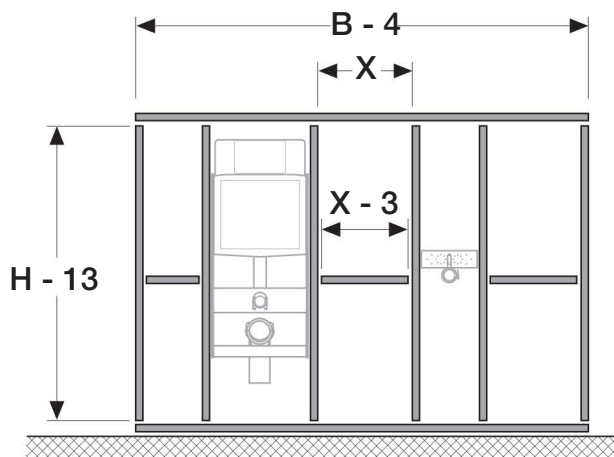
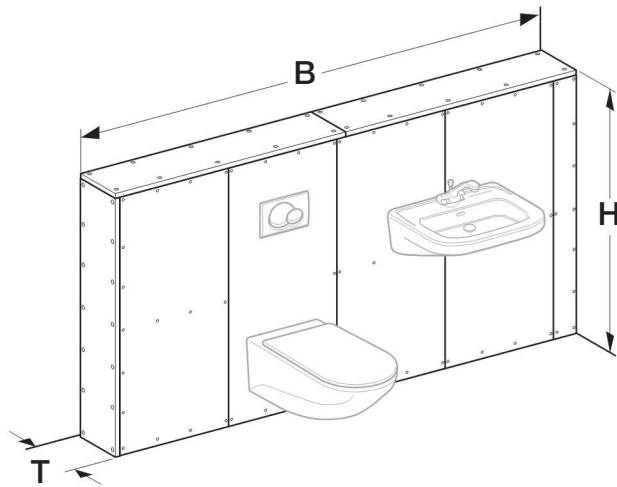
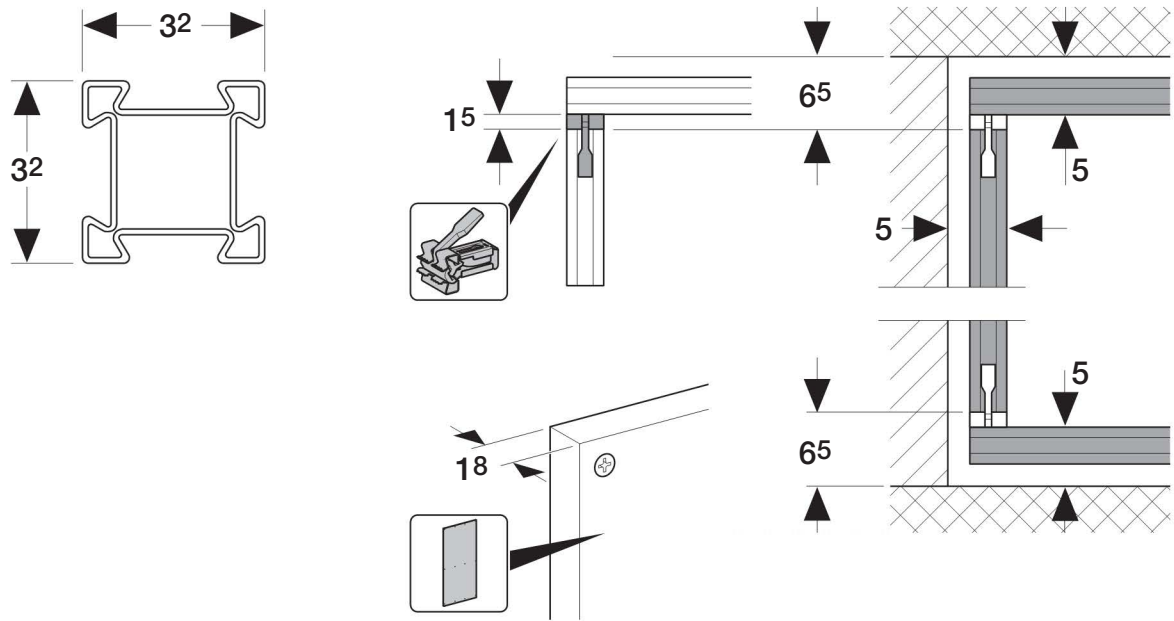
	$\leq 500$	$\infty$	$\leq 45$
	$\leq 360$	$\infty$	$\leq 45$
	$\leq 450$	$\leq 350$	$\leq 45$
	$\leq 360$	$\leq 250$	$\leq 45$
	$\leq 150$	$\leq 250$	$\leq 44$
	$\leq 200$	$\leq 100$	$\leq 45$

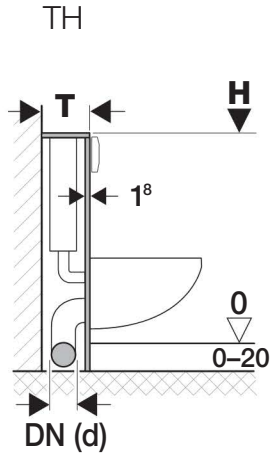
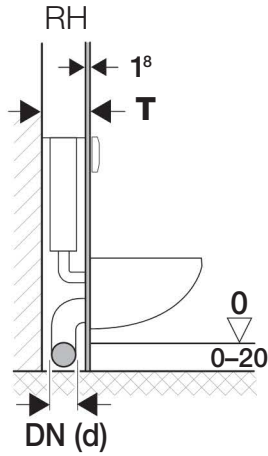
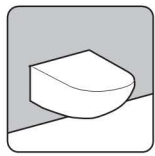




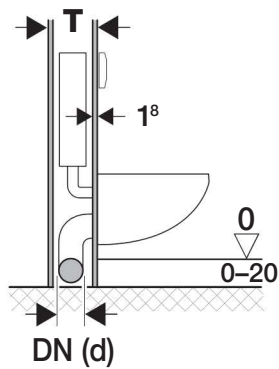




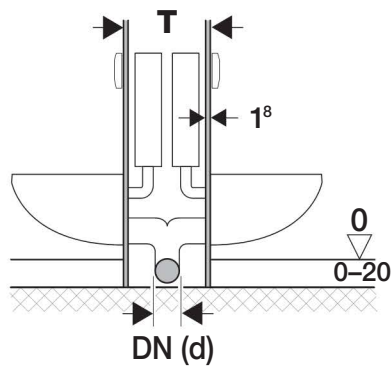




[cm]	T			H
	DN 50 (d 63) <small>56/63</small>	DN 80 (d 90) <small>75/90</small>	DN 100 (d 110) <small>110</small>	
	-	165	185	≥ 114
	-	RH 205	RH 205	↓ 87-100 ← 87-114
	-	TH 225	TH 225	
	13	16	18	≥ 87
	13	16	18	≥ 114 ≥ 142

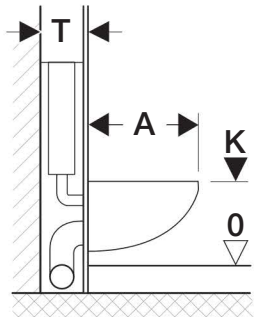


[cm]	T		
	DN 50 (d 63) <small>56/63</small>	DN 80 (d 90) <small>75/90</small>	DN 100 (d 110) <small>110</small>
		215	235
		255	255
	18	21	23
	18	21	23

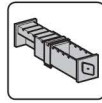


[cm]	T		
	DN 50 (d 63) <small>56/63</small>	DN 80 (d 90) <small>75/90</small>	DN 100 (d 110) <small>110</small>
		29	31
		39	39
		24	24
		30	30
	18	20	22
	18	20	22

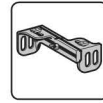




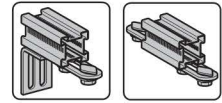
T = 16<sup>5</sup>-24



T = 16<sup>5</sup>-31



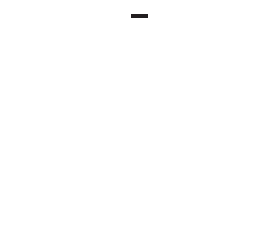
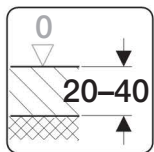
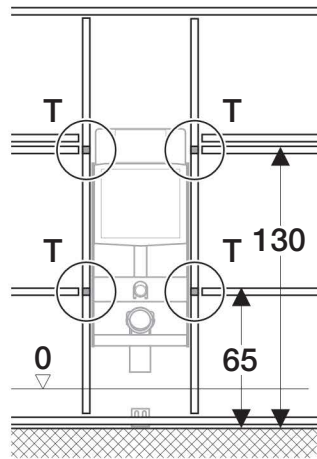
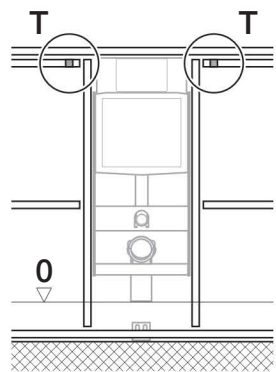
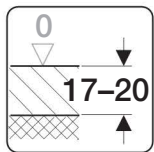
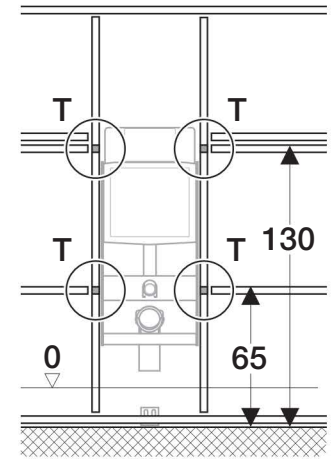
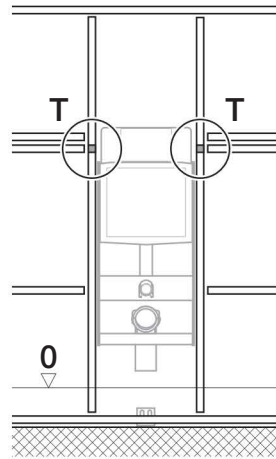
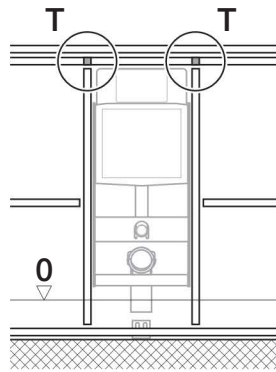
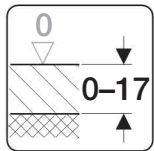
T = 16<sup>5</sup>-45

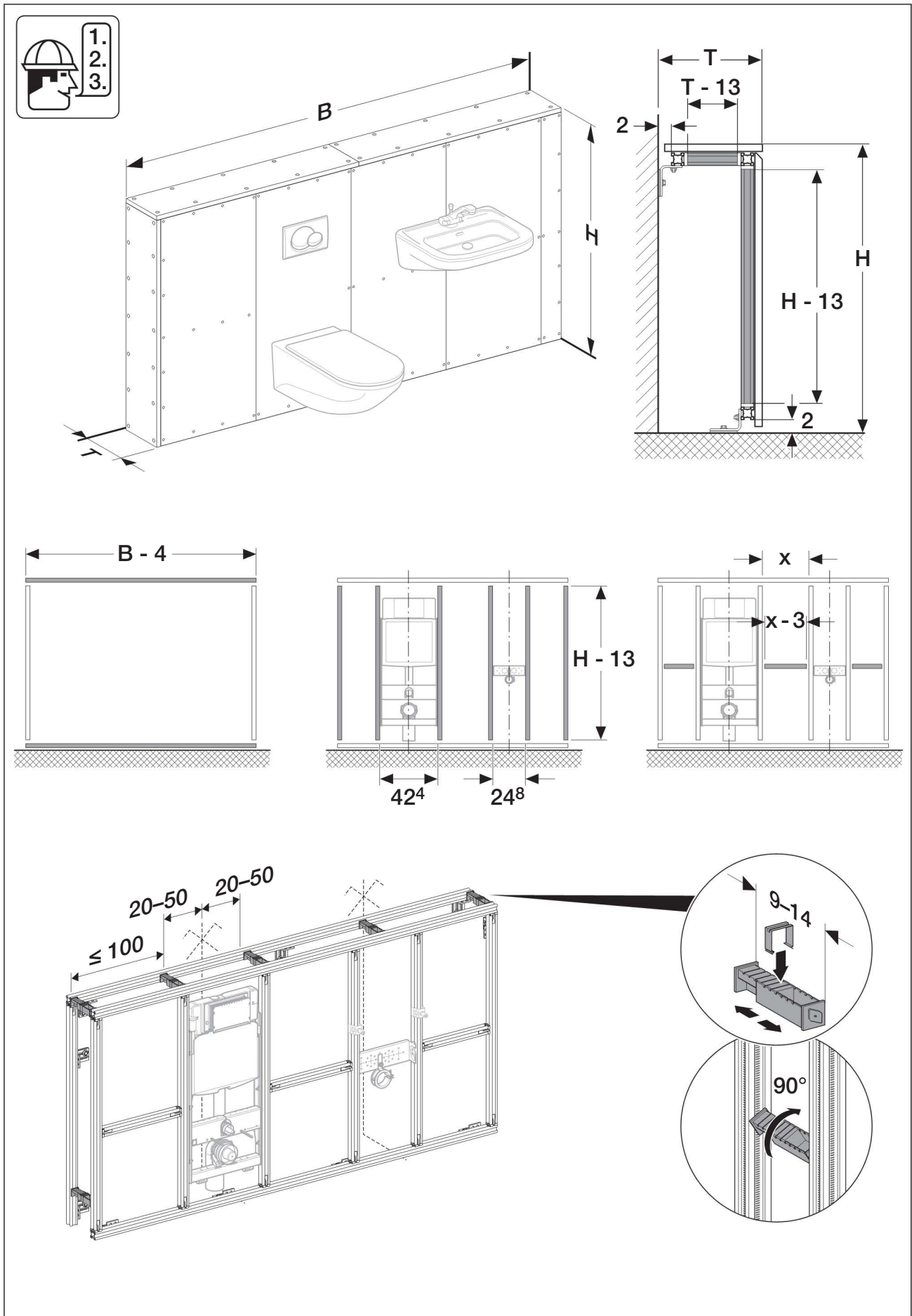


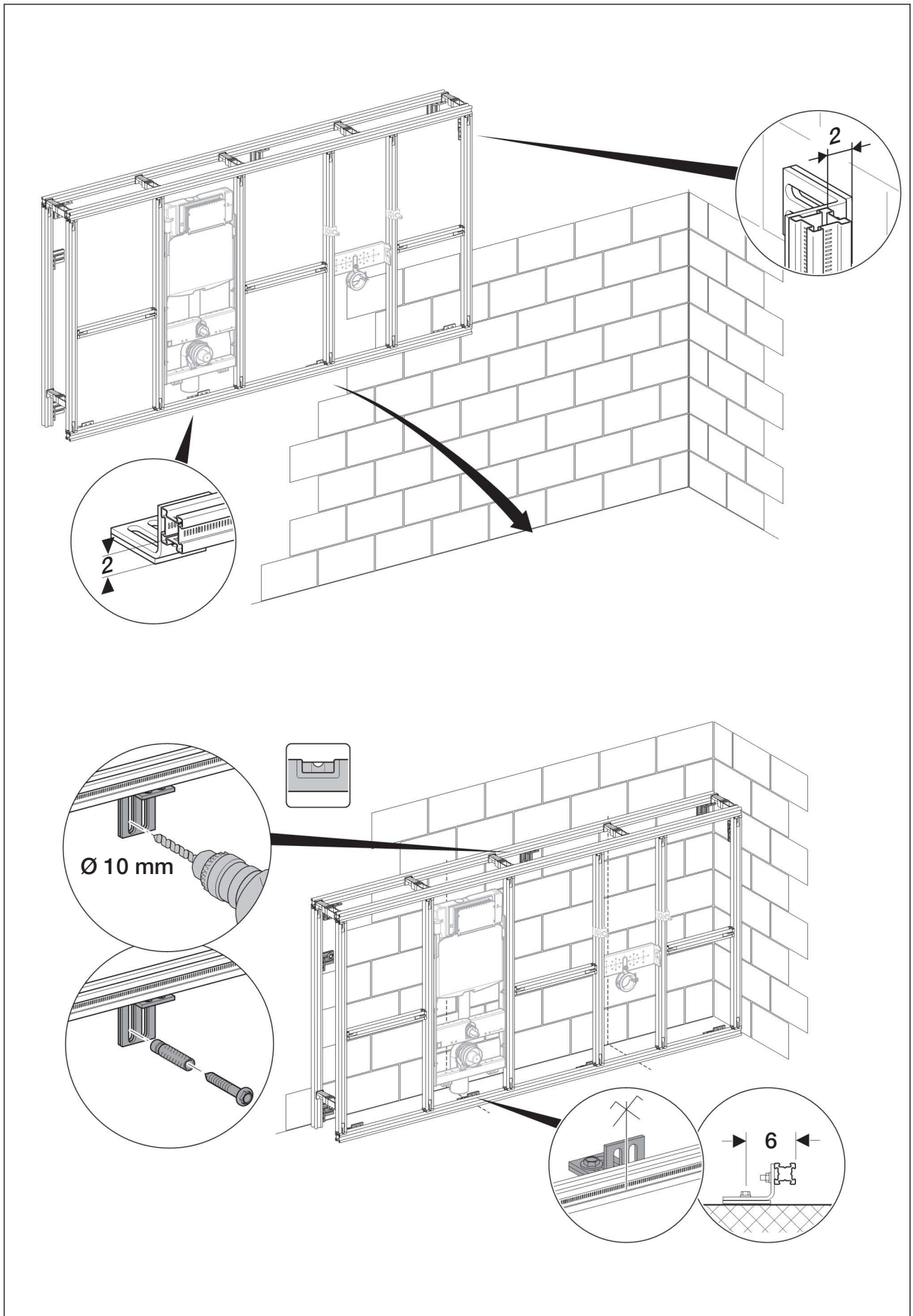
A ≤ 62  
K = 41<sup>+2</sup><sub>-1</sub>

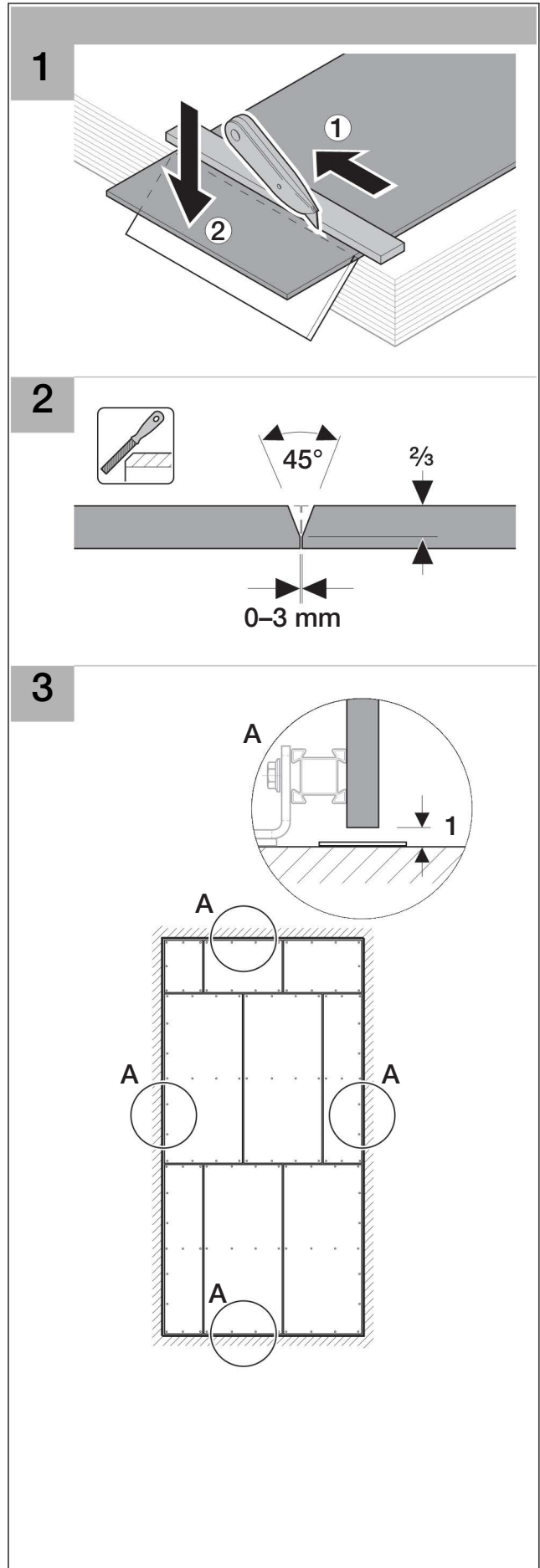
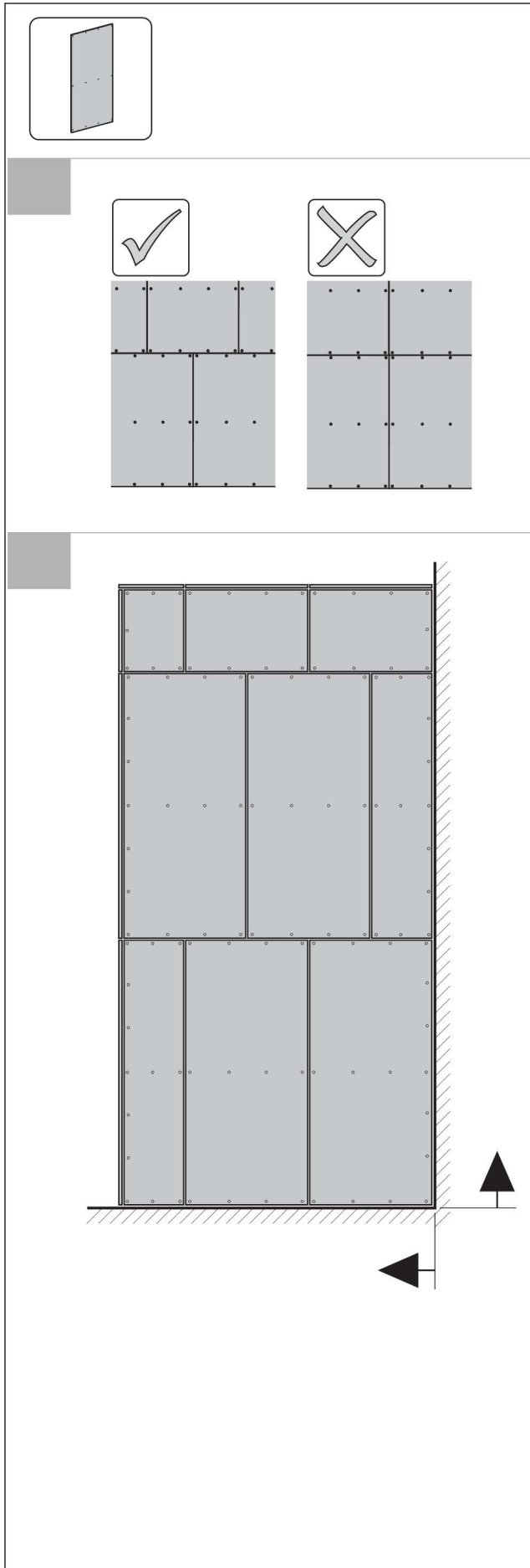
A ≤ 62  
K = 44-52

A ≤ 70  
K = 44-52

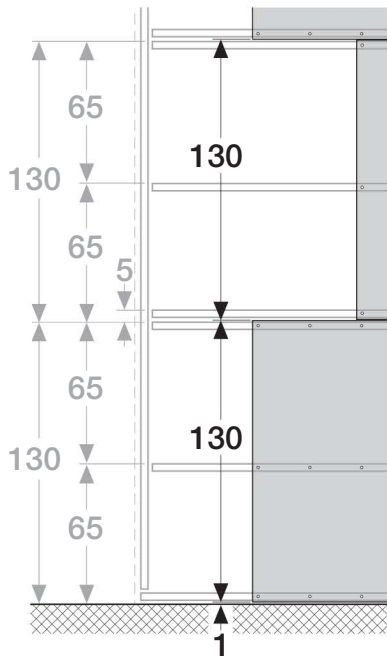




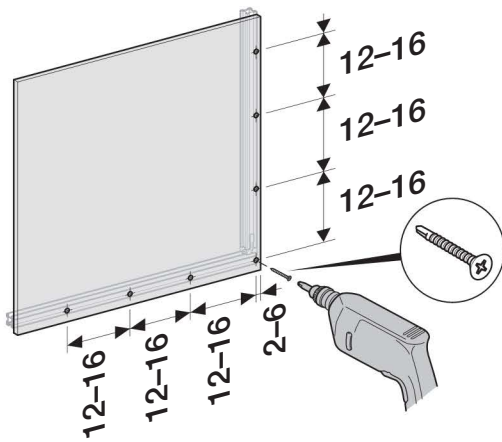




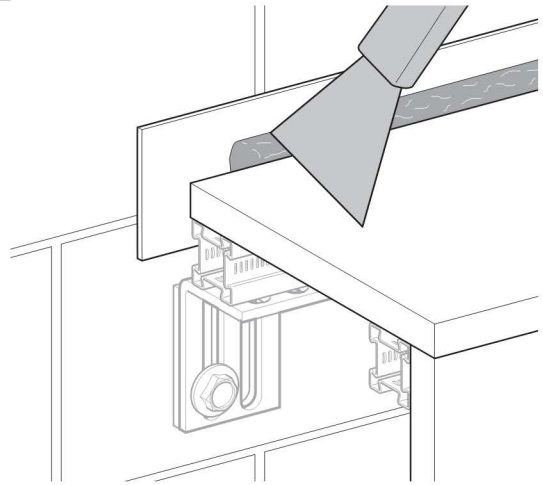
4



5



6



7

