



**Archer®**  
Horizontal toilet paper holder  
**K-11054**

**Features**

- Coordinates with other products in the Archer collection.

**Material**

- Premium metal construction for durability and reliability.
- KOHLER finishes resist corrosion and tarnishing.

**Installation**

- Installation template included.

**Recommended Products/Accessories**

K-23723 Faucet cleaner

**Included Components**

Additional Components:

Installation hardware



**Codes/Standards**



None Applicable

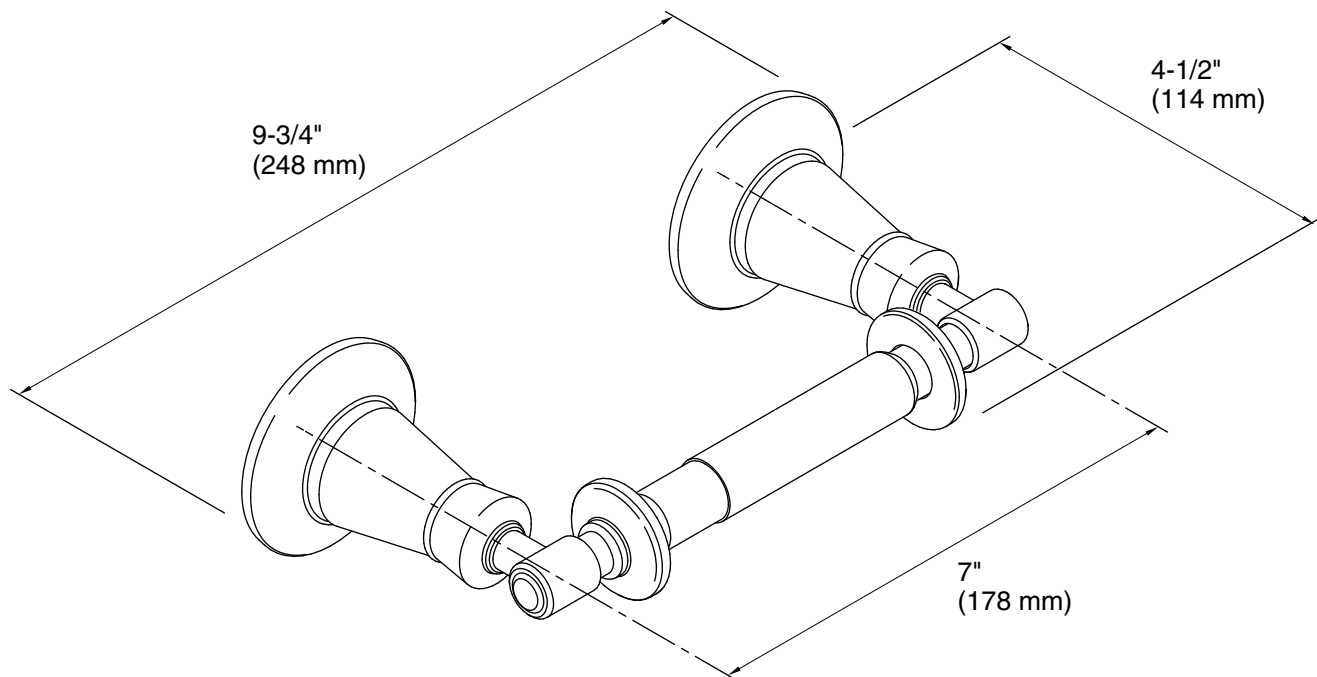
**KOHLER® Faucet Lifetime Limited Warranty**

See website for detailed warranty information.

**Available Colors/Finishes**

*Color tiles intended for reference only.*

Color	Code	Description
	CP	Polished Chrome
	BN	Vibrant® Brushed Nickel



## Technical Information

All product dimensions are nominal.

Material: Metal

## Notes

Install this product according to the installation guide.

**CAUTION:** Risk of personal injury. Do not install these products in any area where they are likely to be used inadvertently as a grab bar or support bar. These products are not designed or intended for use as a grab bar or support bar.