



**Name: LEXA - Vertical Backplate-box**

**Design:** Taller / Estudi Bover / 2008

**Typology:** Wall lamp

**Environment:** Indoor

**Technical description:**

Wall light with brass structure finished in satin nickel, brilliant chrome, or black chrome, available mounted on vertical or horizontal back-plate box. Various lamp shade options: double mesh lamp shade, offering inner shade options of black or red mesh mounted on a rigid fire-resistant white polyester screen, and outer shade options in black or red mesh mounted on PVC fiber screens. Single lamp shades are also available in classic white cotton, or white and cream translucent polyester blend hand wrapped ribbon. Cotton lamp shade does not allow for upper diffuser, due to mounting. Also available with adjustable LED Flexo arm.

**Lamps description**

Earthing: excluded

Ready for mounting on normally flammable surface.

1 x 42 W Classic P ECO E-27

1 x 11 W E-27

**Voltage:** 230V~50Hz

1 Box 45 x 45 x 35 cm

**Vol.:** 0,0709 m<sup>3</sup>

**Weight:** 2 kg

**Certifications:**

**Ref** **Finishings**

**Vertical Backplate-box** 9 x 13,5 cm

1120505 Satin nickel

1120506 Brilliant chrome

1120508 Black chrome

**Outer lampshade** 22 x 16 x 9 cm

\* P-633E White cotton

P-634E White translucent ribbon

P-635E Cream translucent ribbon

\*\* P-636E Black

\*\* P-637E Red

\* Cotton shade without upper diffuser

\*\* Outer lampshade: PVC cristal

**Inner lampshade**

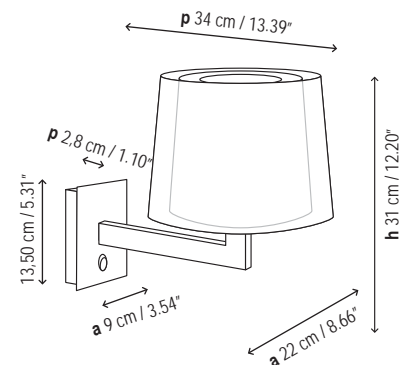
\*\*\* P-636I Black

\*\*\* P-637I Red

\*\*\* Inner shade made of a fireresistent polyester rigid film



**Measures**



**Project information**

Project name: \_\_\_\_\_

Approved by: \_\_\_\_\_

Fixture type: \_\_\_\_\_

Date: \_\_\_\_\_

Location: \_\_\_\_\_

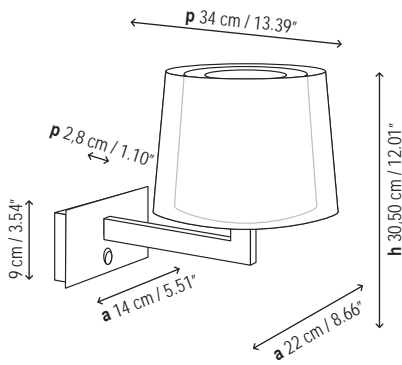
Prepared by: \_\_\_\_\_

Comments: \_\_\_\_\_

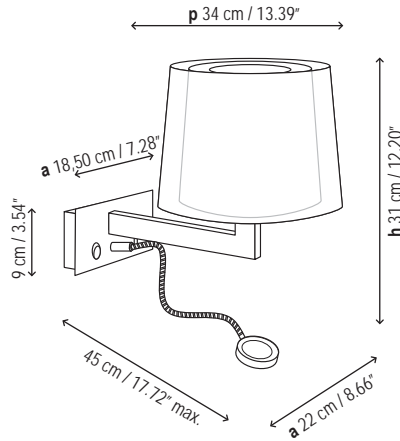
Prepared for: \_\_\_\_\_

**Photometrics**

**LEXA - Horizontal Backplate-box**



**LEXA - FL Horizontal Backplate-box**



**LEXA - FL - Vertical Backplate-box**

