



WE ARE IB

Collection

HEYJOE!

Article

HJ220

Description

Monohole bidet mixer complete with drain.

Box Dimensions

240 x 215 x 110 mm

Weight

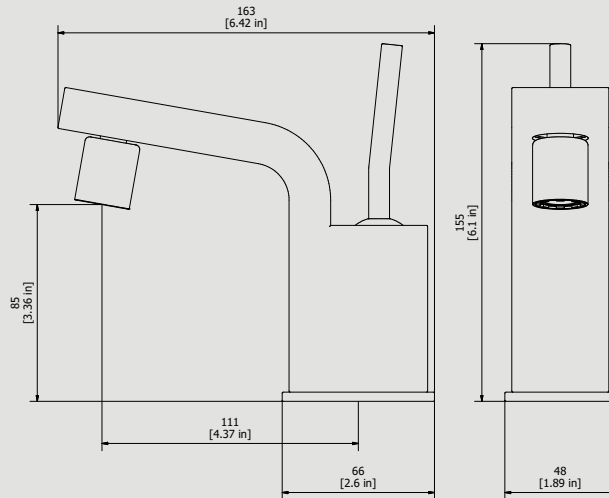
2.9 kg



Finishes

- CC**
CHROME
- CF**
BLACK CHROME
- BG**
GLOSSY WHITE
- NG**
GLOSSY BLACK
- SS**
BRUSHED NICKEL
- CS**
BRUSHED BLACK CHROME
- BO**
MATT WHITE
- NP**
MATT BLACK
- OO**
GOLD
- BB**
ANTIQUÉ BRONZE
- II**
PALE GOLD
- RR**
ANTIQUÉ COPPER
- ORS**
ROSE GOLD
- ON**
NATURAL BRASS
- IS**
BRUSHED PALE GOLD
- HH**
PVD CHOCOLATE

Dimensions



Cartridge

IB 35 mms Ceramics Discs Cartridge

Wall Hoses

Inox hoses G3\8" female 400 mms long

Aerator

M24x1 perlator

Flow Rate (+/-10%)

**1 BAR
10 l\min**

**2 BAR
14.5 l\min**

**3 BAR
18 l\min**

Production

Main body is a single casted pieces

Material

**BRASS
According to CuZn35Pb2Al-B (CB752S)
Max Lead content: 1.36%**

IB RUBINETTERIE s.p.a
via dei Pianotti 3/5
25068 Sarezzo (BS) - Italy -

T. +39 030 802101
F. +39 030 803097
info@weareib.it

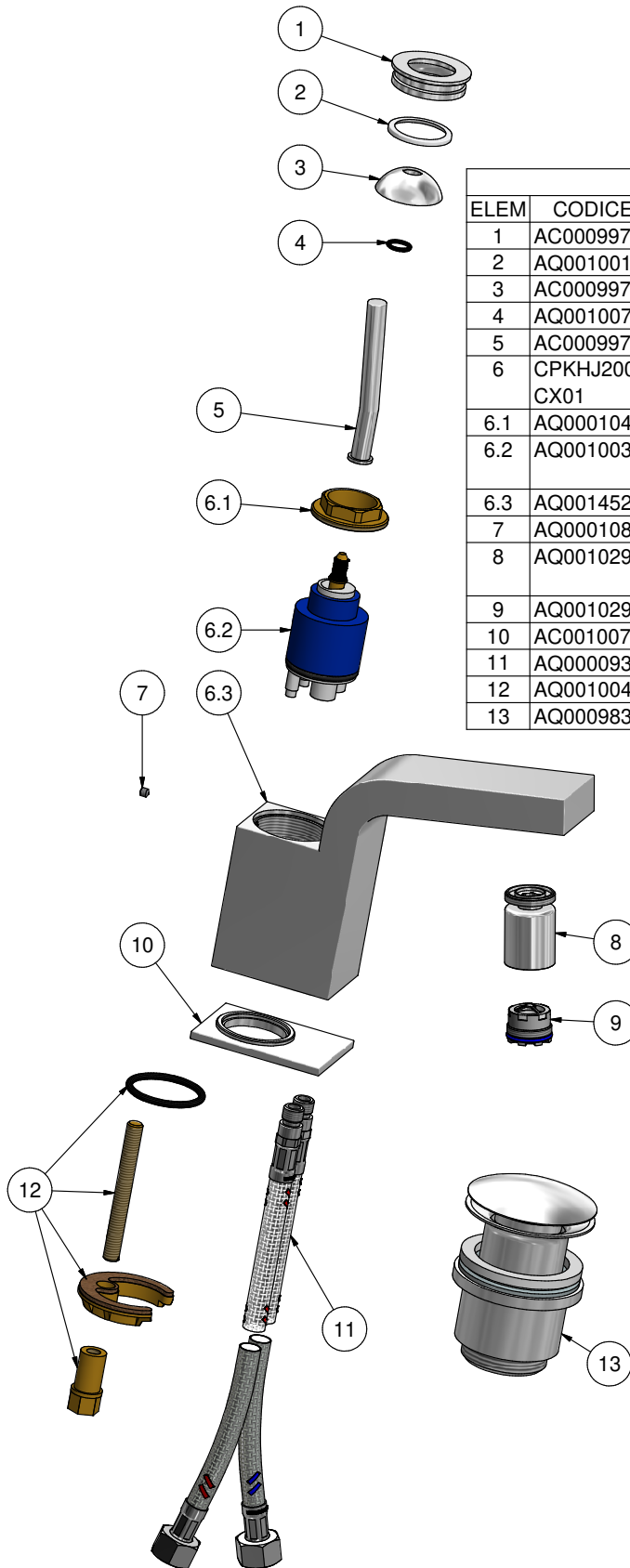
P.IVA 01785230986
capitale sociale
€420.000,00 i.v.

www.weareib.it





WE ARE IB



Elenco parti			
ELEM	CODICE	NUMERO DI MAGAZZINO	QT
1	AC0009973	Cover nut for sphere Ø38,16 H10	1
2	AQ0010014	Antifriction ring for sphere H.2,5	1
3	AC0009974	Cover cartridge sphere	1
4	AQ0010077	OR 9x1.5 NBR 70 SH	1
5	AC0009975	Rod for lever	1
6	CPKHJ200C CX01	Preassembled basin mixer	1
6.1	AQ0001040	Cartridge ring nut M37x1.5 H9	1
6.2	AQ0010039	Ceramic cartridge joystick Ø35 with distribution	1
6.3	AQ0014525	HeyJoe's mixer body	1
7	AQ0001082	Grub screw M4x4 cone point	1
8	AQ0010292	Cachè articulated joint JR AG M24 (68.9681.0)	1
9	AQ0010291	Cachè laminar (42.3330.01)	1
10	AC0010072	Basin/bidet base	1
11	AQ0000932	Inox hose M10x1 G3/8" L400	1
12	AQ0010040	Fixing set	1
13	AQ0009837	Simple rapid waste 1"1/4	1



WE ARE IB

WARRANTY

All IB Rubinetterie SpA products are warranted for 10 years from the date of purchase, for the following cases:

- Defects of casting, porosity and chrome plating.
- Operating defects caused by incorrect fabrication.

The warranty provides for repair or replacement of products with fabrication defects recognized by our technical office. There is no other type of compensation anche the merchandise must be returned FOB our warehouse. The warranty only cover surface defects (scatches, dings, etc.) on fitting that have not been installed and used, returned in its original packaging with all components. O-ring, gasket seals and components subject to wear proportional to use are warranted for 2 years.

The warranty is void in the following cases:

Error installing and putting the product into service.

Deterioration of finished surfaces due to use of cleaning products containing acids or abrasive substances. Deterioration of surface with finishes other than chrome plating. Their durability is, in fact, dependent on the user's care and gentleness of use.

Deterioration of the fitting due incorrect installation.

Improper repairs and maintenance performed without the company's prior authorization.

The warranty from IB Rubinetterie SpA is not renewable.

Cleaning

We recommended cleaning the finish surfaces with water and soap, using a soft cloth.

Do not use detergents that contain hydrochloric acid or abrasive substances.

