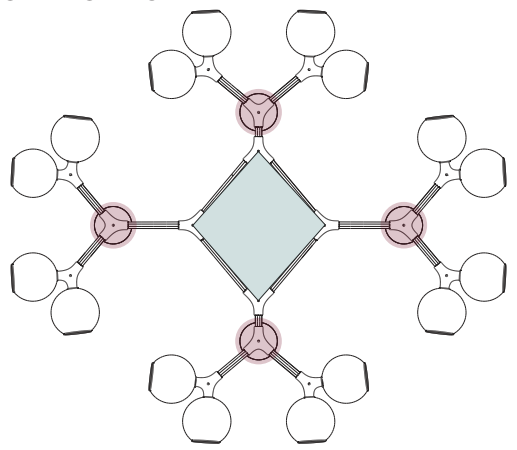


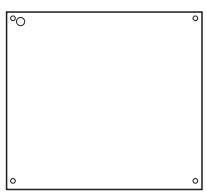


BRABBU
DESIGN FORCES

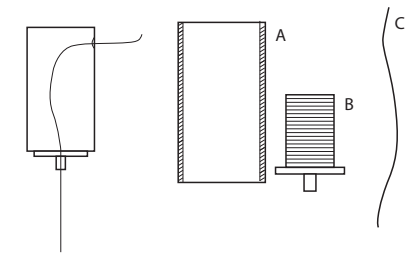
SUPPORT POINTS



◆ SUPPORT 1 X 1

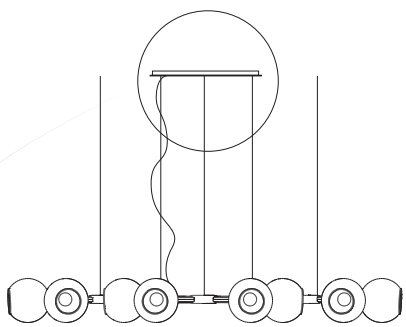


● SUPPORT 2 X 4

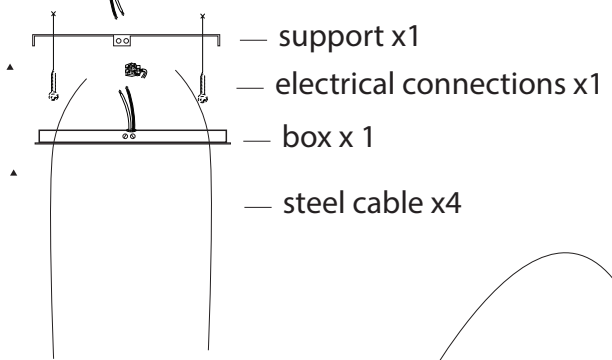


First
support installation

◆ SUPPORT 1 X 1



ceiling



Second
support installation

