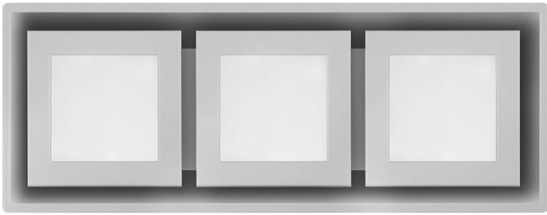


## Hood Modular trio 2536 000

Hoods

Code: 2536 000



### DETAILS

Coloring White

---

Material Stainless steel

---

Texture Satin Finish - glass

---

Energy class D

---

Ceiling – false ceiling distance min 220 mm / max 310 mm

---

Full description Modular Trio ceiling hood

---

Grease filters 2 grease filters

---

Operation Suction hood (filtering modality not available)

---

Cut out 340x930 mm

---

Air exhaust hole                      ø 120 mm

---

Lighting                                      LED lighting (4.000 kelvin)

---

Motors                                        2

---

Air flow rate                                850mc/h

---

Motor power                                2x160W

---

Hood type                                    Ceiling suction hood

---

Type of commands                        Remote control

---

Suction speed                              4 operating speeds

---

Notes:                                        Fume exhaust ducts must have an internal diameter not lower than 120 mm

---

## FEATURES

**Auto delayed shutdown**                      All the models with electronic interface can be programmed to turn off the suction at a postponed moment, so as to prolong the aeration of the room even after the cooking has been completed.

---

**Led lighting**                                      Particular attention to energy saving with LED lighting systems. They assure a 10 times lower consumption and a 10 times longer duration. Our LED lights are designed to create an adequate comfort and safety in the cooking area.

---

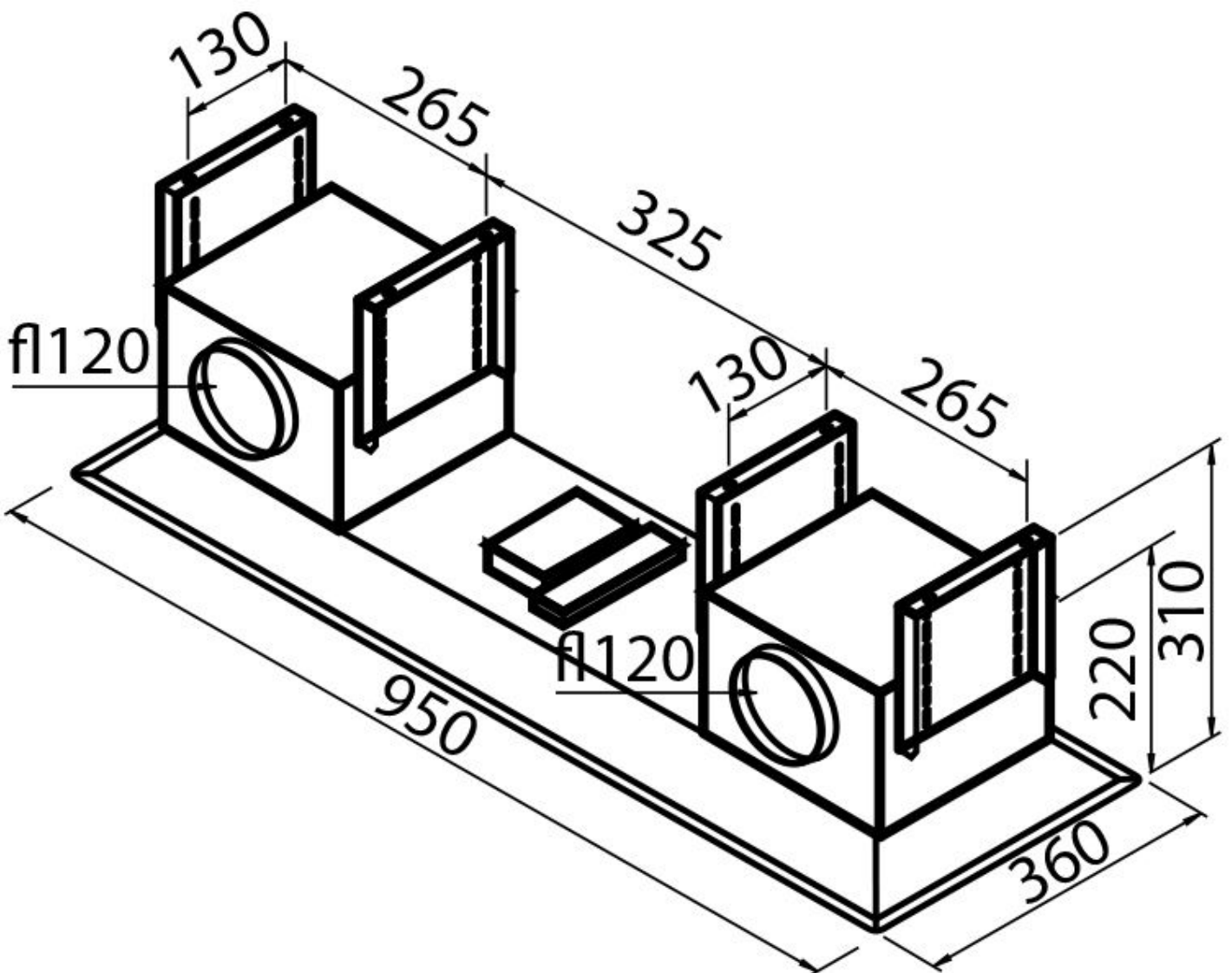
**Perimetric aspiration**                        The perimeter suction is a feature common to many Foster hoods. The filters are hidden by steel- or crystal plates and the suction occurs along their perimeter. This has aesthetic advantages but also functional ones: the cleaning is easier, the suction power and noise-level are improved. The depression which occurs in the perimeter area facilitates in fact the suction of the particles composing the fumes.

---

Remote control

The ceiling suction systems and the Maya hoods are equipped with a remote control to easily activate all their functions from any position.

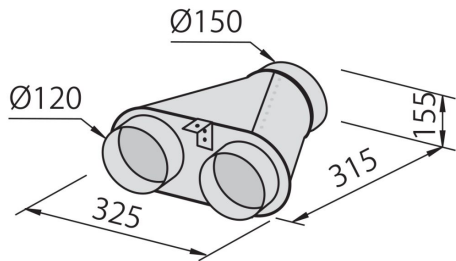
## TECHNICAL DATA



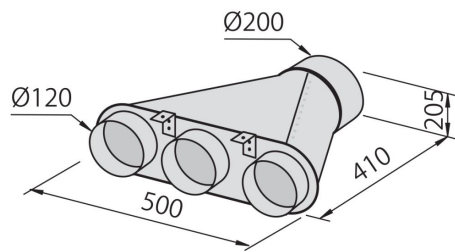
## GALLERY



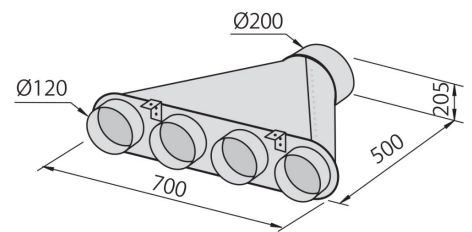
## OPTIONAL ACCESSORIES



Collector for 2 pipes 2523 000



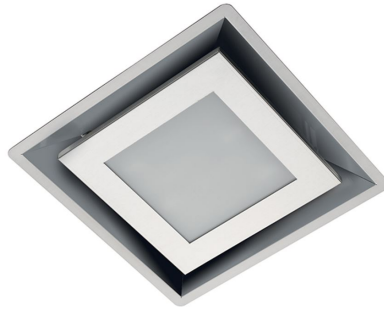
Collector for 3 pipes 2524 000



Collector for 4 pipes 2525 000



Flexible silencing canalization  
9700 602



Modular light 2520 001