

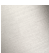






13 715 811

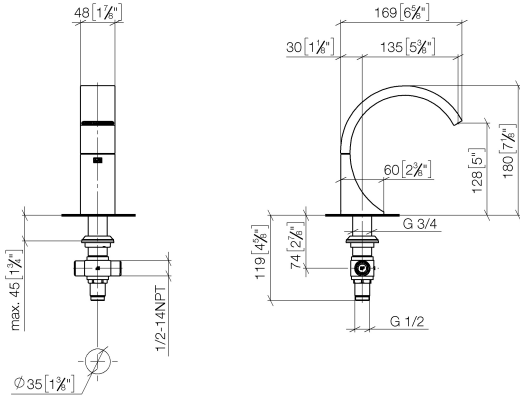


- 133mm projection
- fixed spout
- rectangular, air-enriched flow
- height of mixer 180 mm
- height up to aerator 128 mm
- hole diameter 35 mm
- 2x 1/2" x 1/2" high pressure hose
- max. flow 4.5 l/min
- lead-free
- This product can help a building meet the requirements of Green Building Rating Systems, e.g. LEED®, BREEAM®, DGNB
- WRAS 2107093

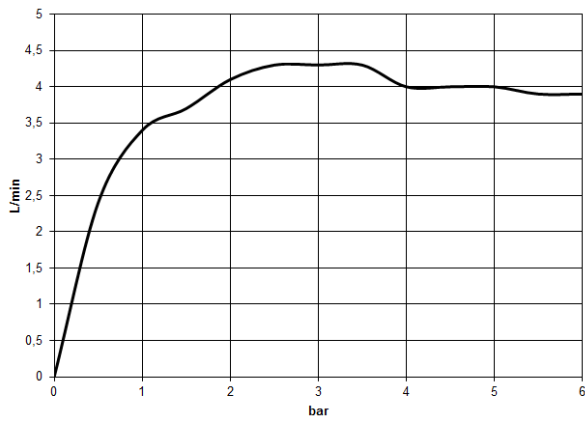
	Dark Chrome	13 715 811-19
	Chrome	13 715 811-00
	Brushed Platinum	13 715 811-06
	Brushed Durabronze (23kt Gold)	13 715 811-28
	Platinum / Brushed Platinum	13 715 811-36
	Durabronze / Brushed Durabronze (23kt Gold)	13 715 811-38
	Brushed Dark Platinum	13 715 811-99

13 715 811

mm [inches]



Flow rate chart



Codes & Standards

NSF372

NSF61



CYO Deck-mounted basin spout without pop-up waste - Dark Chrome

CYO

13 715 811

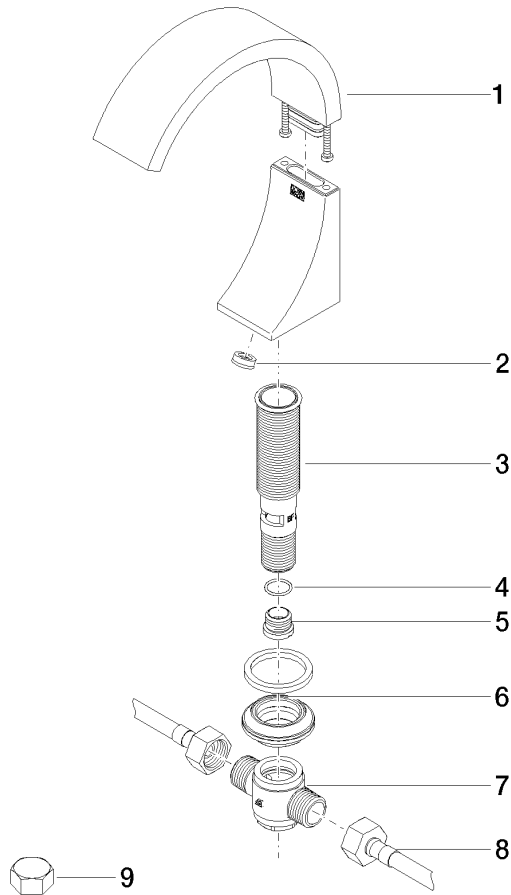
Certificates

IAPMO_N-4

IAPMO_6

13 715 811

Parts for other finishes can be found here: [Chrome](#)





CYO Deck-mounted basin spout without pop-up waste - Dark Chrome

CYO

13 715 811

Spare parts list

No.	Item Number	Name	Quantity used	Delivery time
	90 11 70 012 00-19	spout	11	20