

Installation Guide

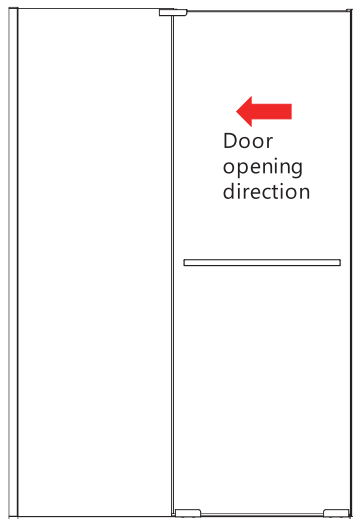
Reversible Sliding door

IMPORTANT:
Please read the complete instructions
before commencing fitting.

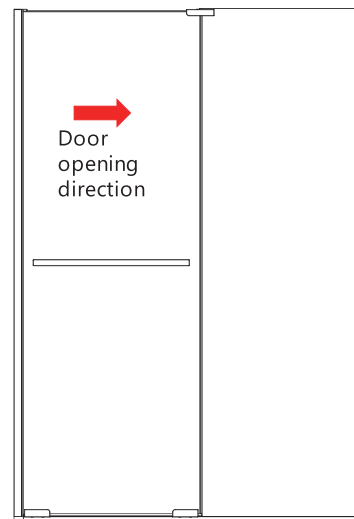
Make sure the tray is 100% level in all directions.
Do Not attempt to install the product unless you
can tick all 4 boxes satisfactorily.

- Check that you have the tools required
- Check the installation site is compatible with
the sizes of door supplied
- Check all the enclosure components are present
- Check the installation kit is complete

Left hand

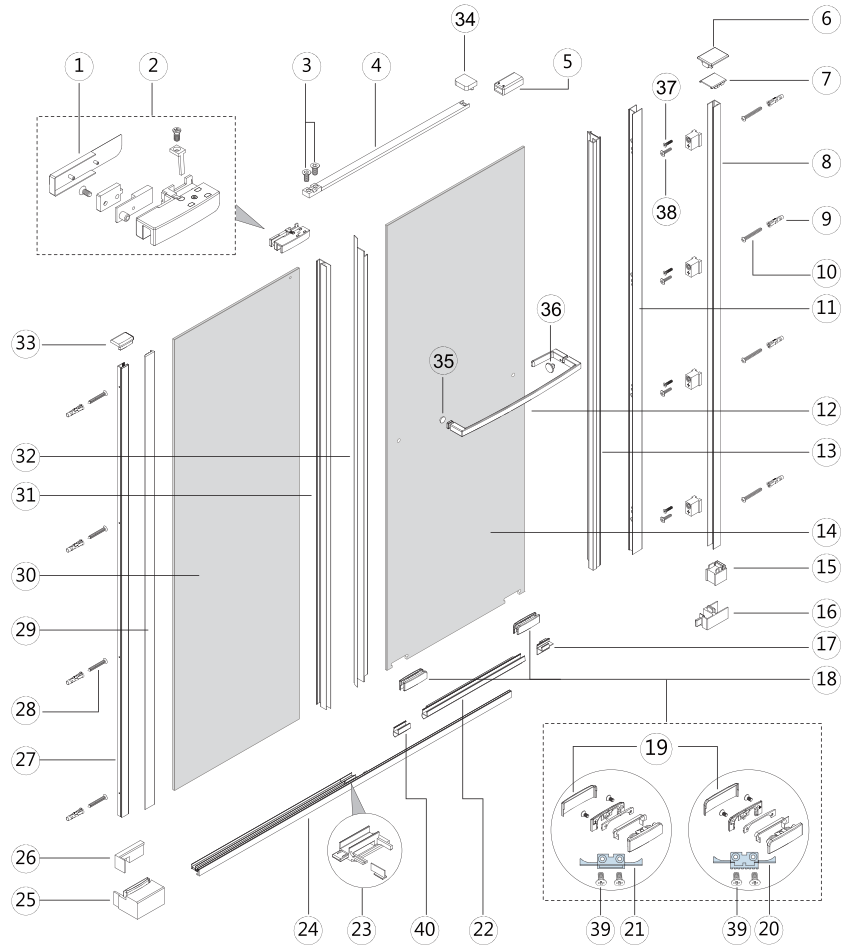


Right hand



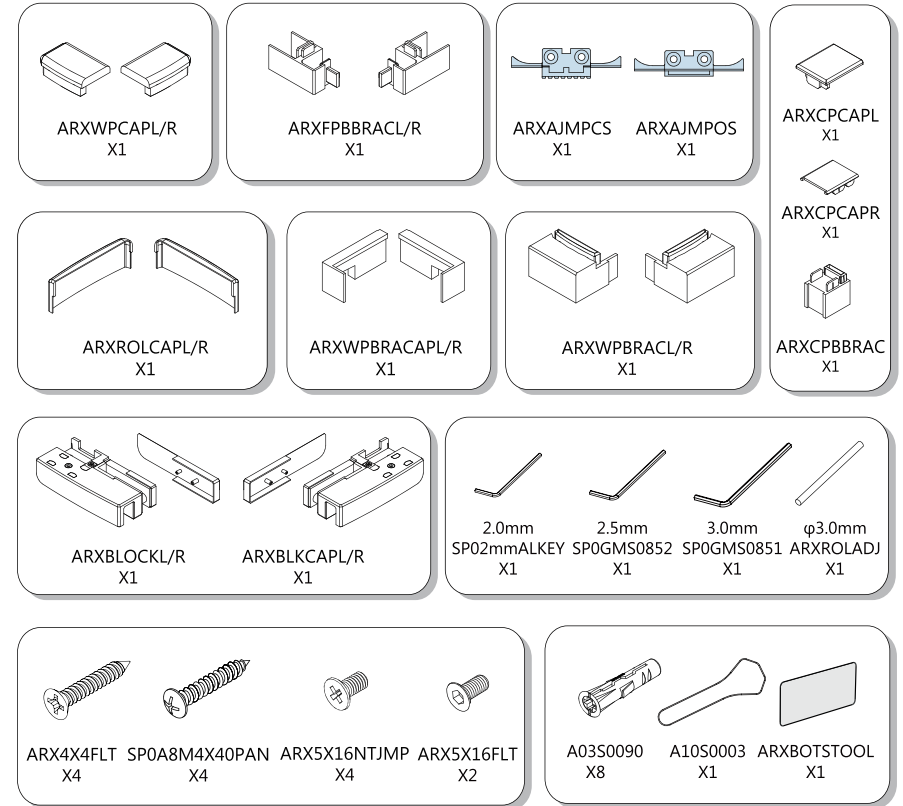
The wall plugs supplied with the installation kit are
for use in solid walls. Hollow or 'stud partition'
walls will require alternative fixings. Please consult
a hardware supplier for the correct type.
It may also be necessary to consult your tiling
supplier about the correct method for drilling
your tiles.

**ATTENTION: TAKE EXTREME CARE WHEN
HANDLING GLASS, WEAR PROTECTIVE EYEWEAR
AND CLOTHING. DO NOT LEAVE THE GLASS ON
HARD SURFACES AND AVOID CONTACT BETWEEN
THE GLASS EDGES AND HARD SURFACES OR
IMPACTS DURING THE INSTALLATION.**

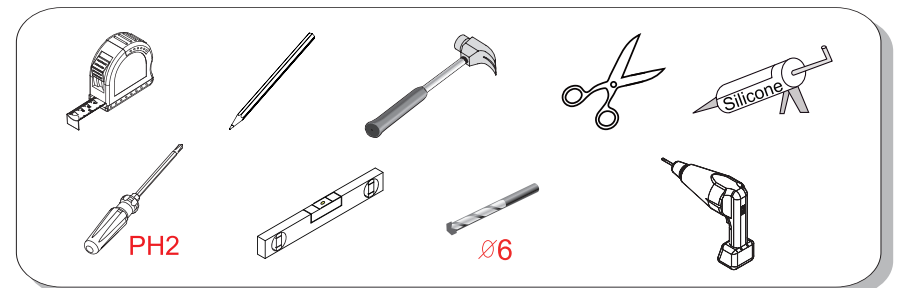


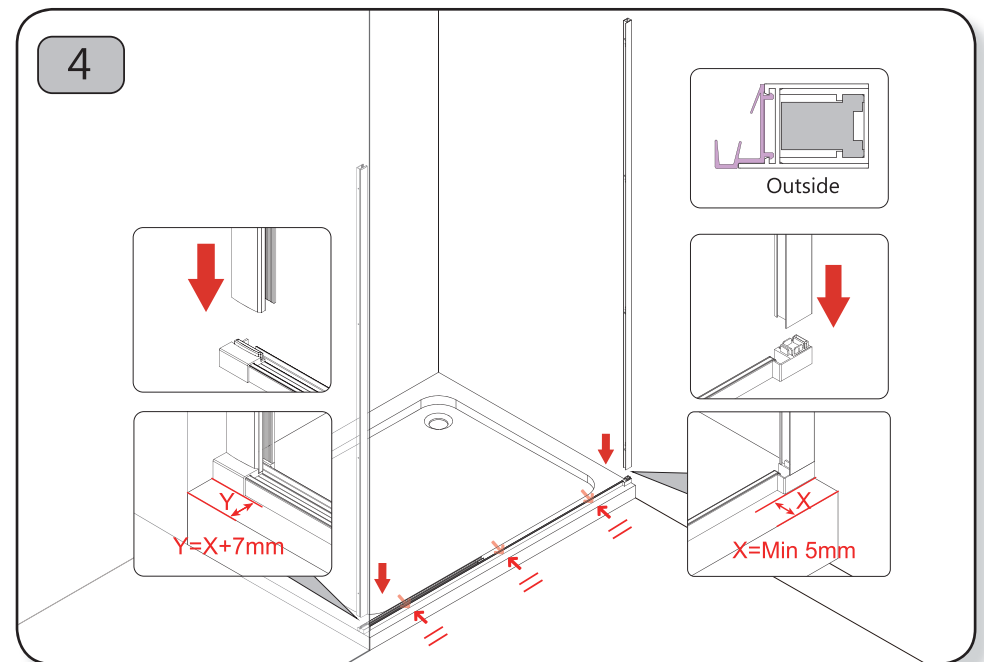
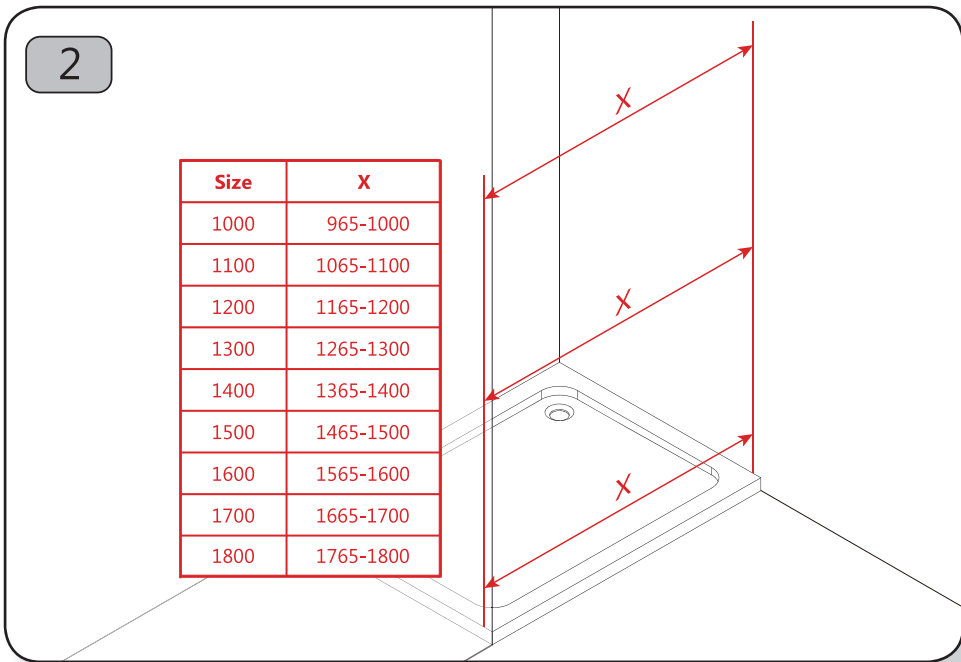
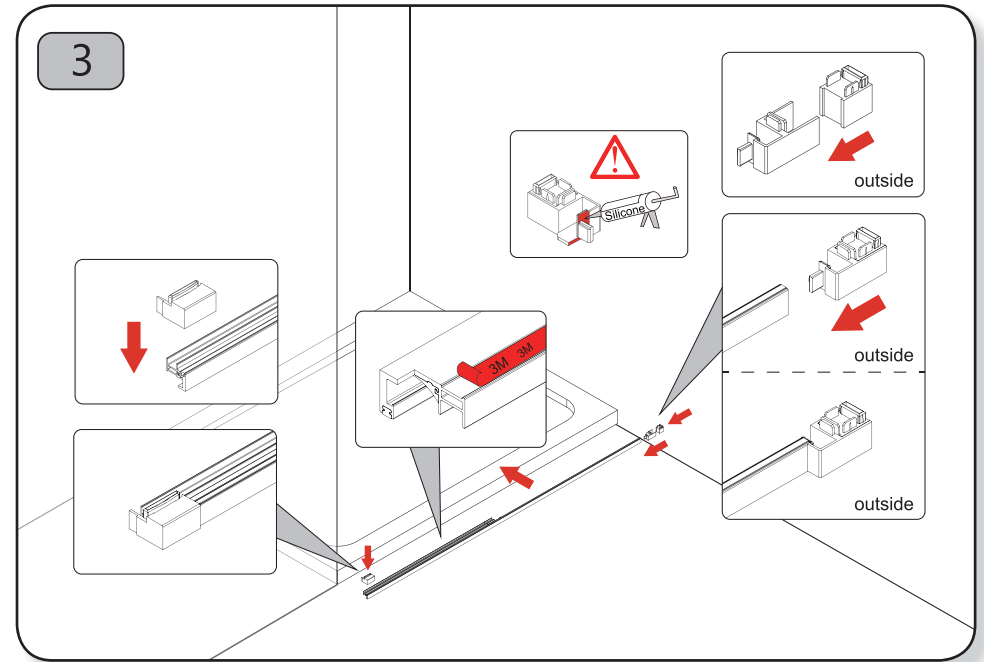
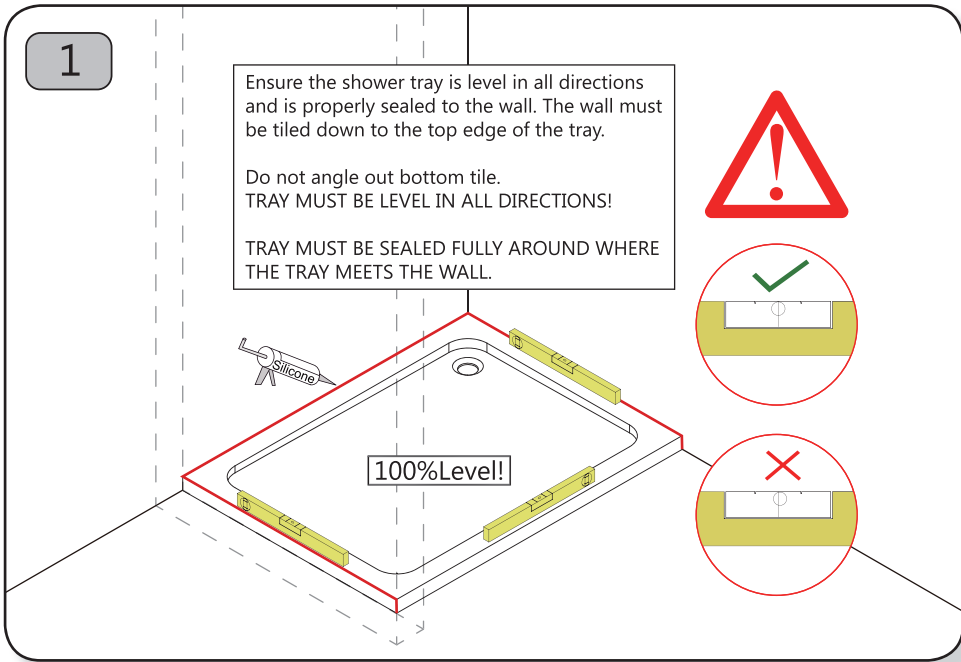
No.	QTY	Descriptions	Code	No.	QTY	Descriptions	Code	No.	QTY	Descriptions	Code
1	1	Top guide block cover cap	ARXBLKCAPL/R	15	1	Closing post bottom bracket	ARXCPBBRAC	29	1	Wedge gasket for recess / side pane	ARXWEDGE
2	1	Top guide block	ARXBLOCKL/R	16	1	Bottom track end bracket	ARXFPBBRACL/R	30	1	Fixed panel	B
3	2	M5x16 screw for top guide	ARXSX16FLT	17	1	Bottom closing side seal	ARXSMBSCSL/R	31	1	Fixed panel seal	ARXFPSEAL ARXFPSEALSM
4	1	Support bar	ARXINBAR	18	2	Roller set	ARXROLSETL/R	32	1	Moving panel seal	ARXMPSEALL
5	1	Wall bracket	ARXWALLBRAC	19	2	Roller cover cap	ARXROLCAPL/R	33	1	Wall profile top cover cap	ARXWPCAPL/R
6	1	Closing side outside top cap	ARXCPCAPL	20	1	Roller anti-jump for closing side	ARXAJMPCS	34	1	Inline Support bar cover plate	ARXSUPPLT
7	1	Closing side inner top cap	ARXCPCAPR	21	1	Roller anti-jump for opening side	ARXAJMPOS	35	1	Handle clear dot	ARXHDLDOT
8	1	Closing side wall profile include insert plug	ARXCPBLOC	22	1	Bottom seal	D	36	1	Handle knob small cover cap	ARXSHDLCAP
9	8	6MM wall plug	A03S0090	23	1	Bottom bridge bracket	ARXBDGBRACL/R	37	4	ST4*20 lock screw for closing post	ARXCLPST4X20
10	4	ST4*30 round head screw	SPOA8M4X40PAN	24	1	Bottom track set - include seal and other parts	C	38	4	ST4*18 lock screw for closing post	ARXCLPST4X18
11	1	Closing post	ARXCLOSP	25	1	Wall profile bottom bracket	ARXWPBRACL/R	39	4	M4x6 screw for roller anti-jump	ARXSX16NTJMP
12	1	handle	ARX-HDL	26	1	Wall profile inspection cap	ARXWPBRACAPL/R	40	1	Small bottom closing side seal for closing side / side panel	ARXSMLBSSP
13	1	Closing seal	ARXCPCAPL	27	1	Wall profile (in recess / side panel)	ARXSTDWP				
14	1	Moving panel	A	28	4	ST4*40 flat head screw	ARX4X4FLT				

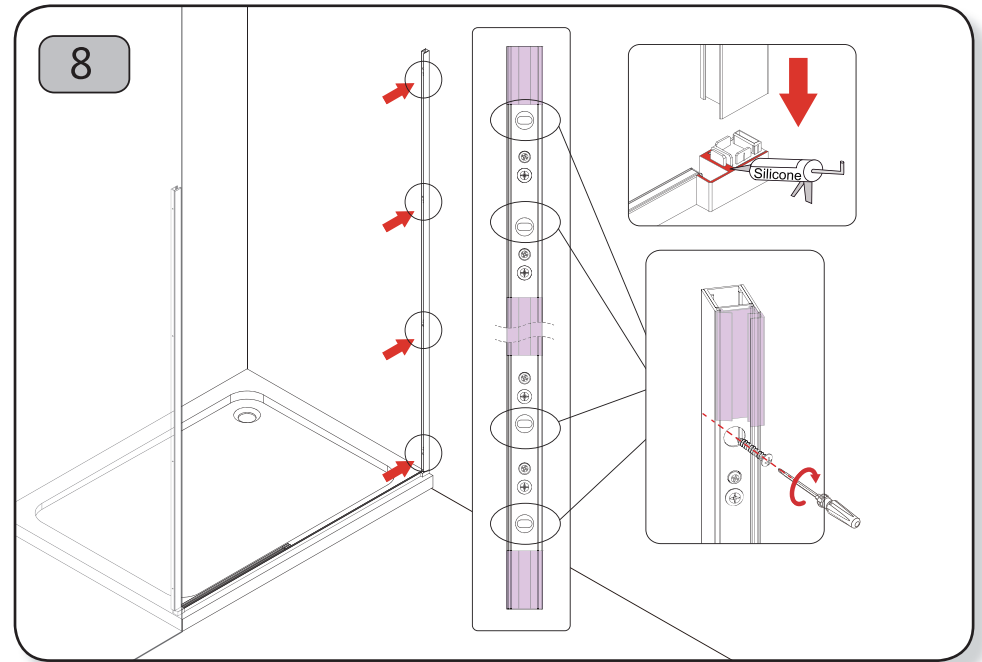
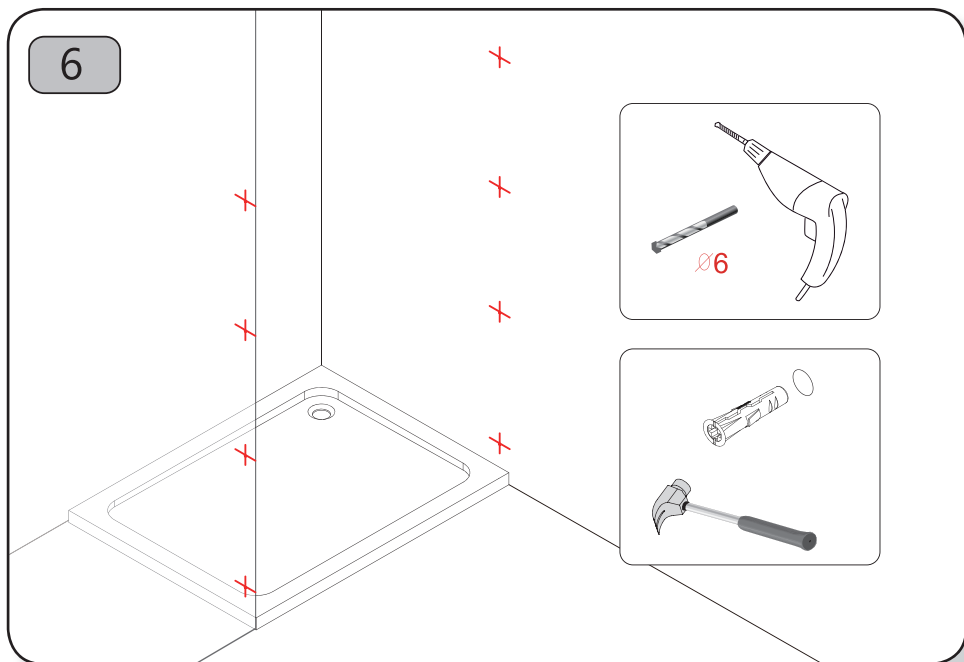
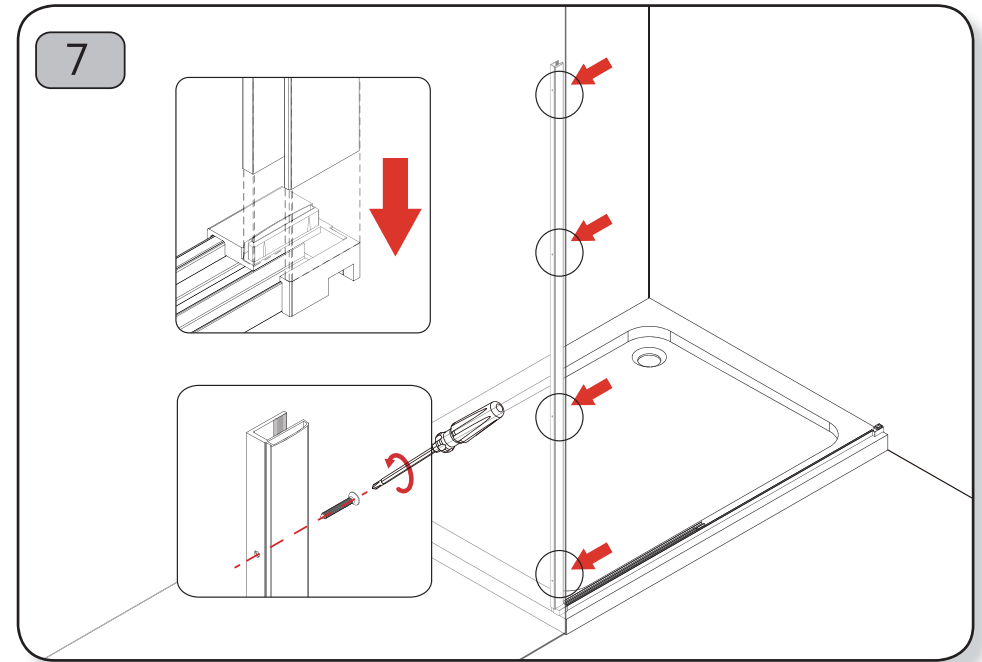
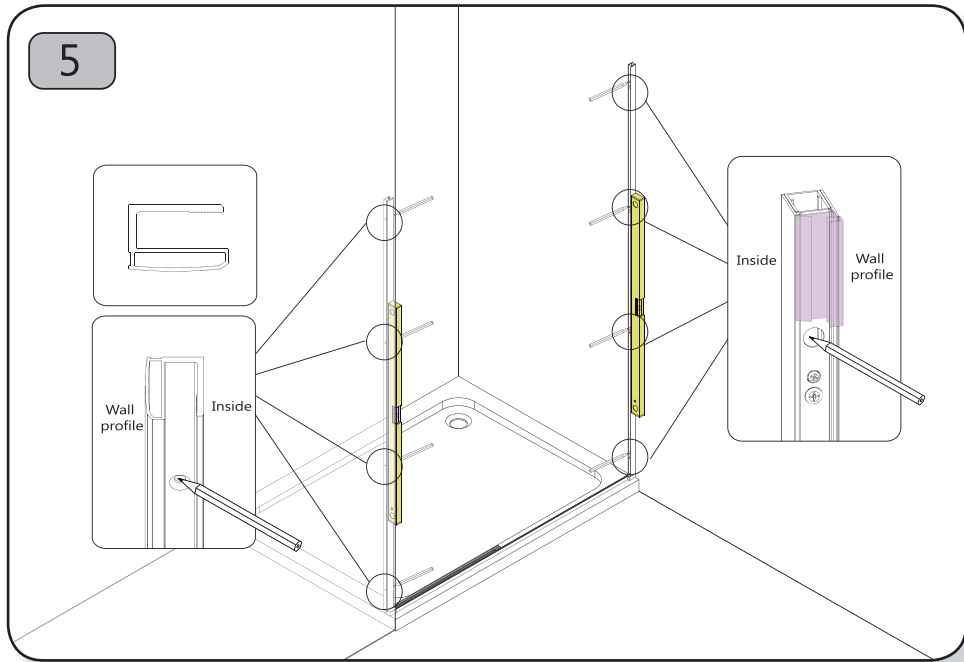
Fixing Kit Components

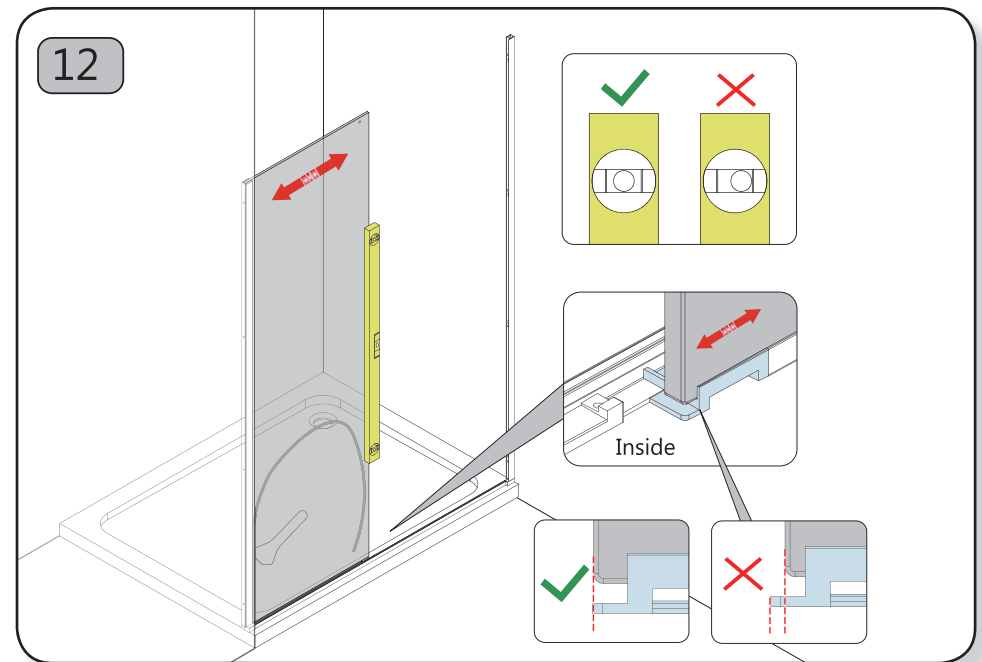
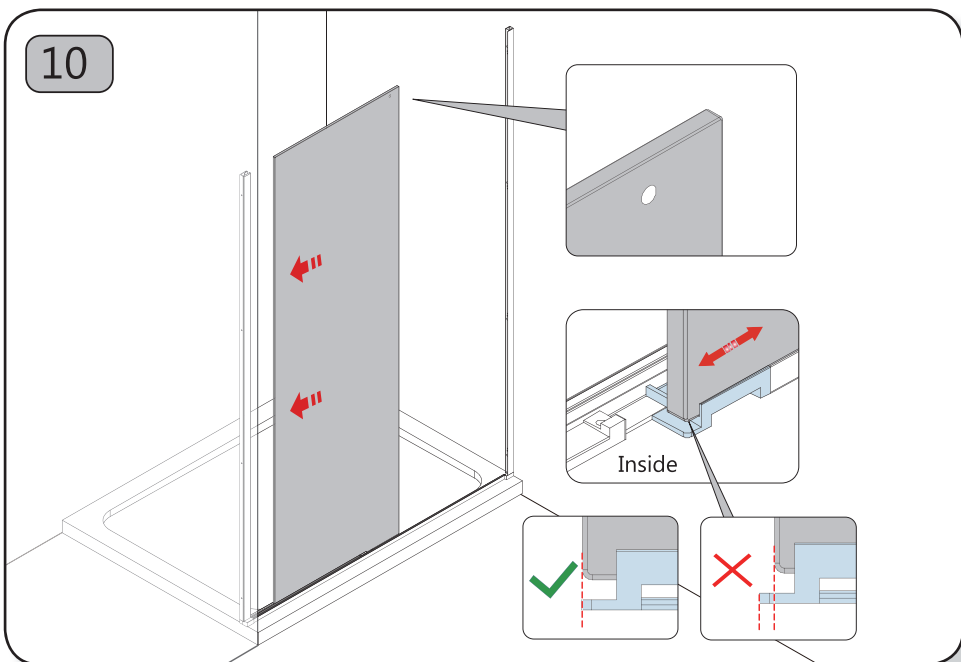
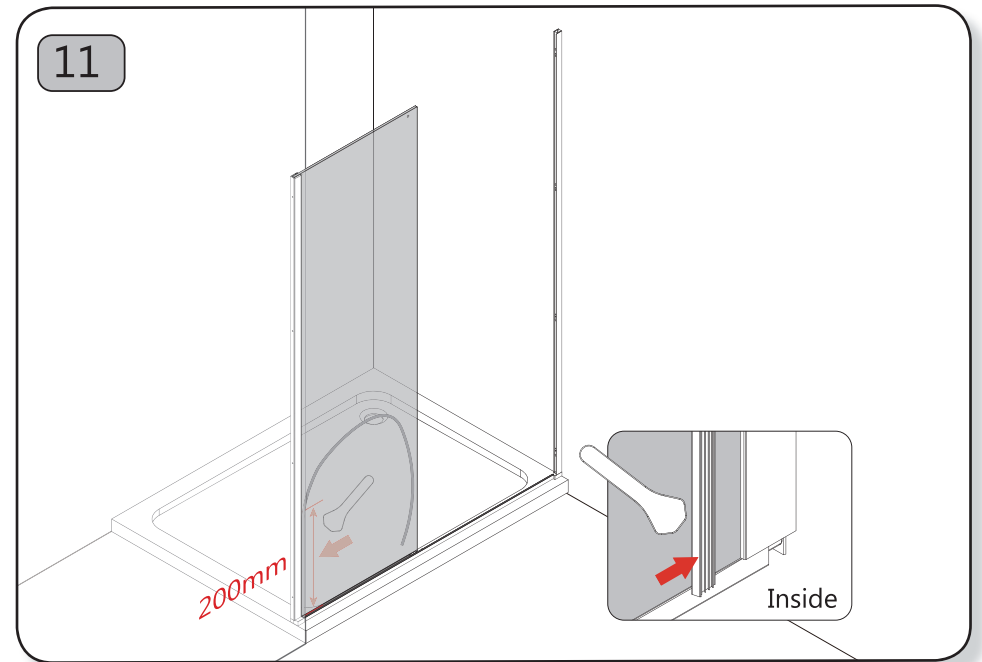
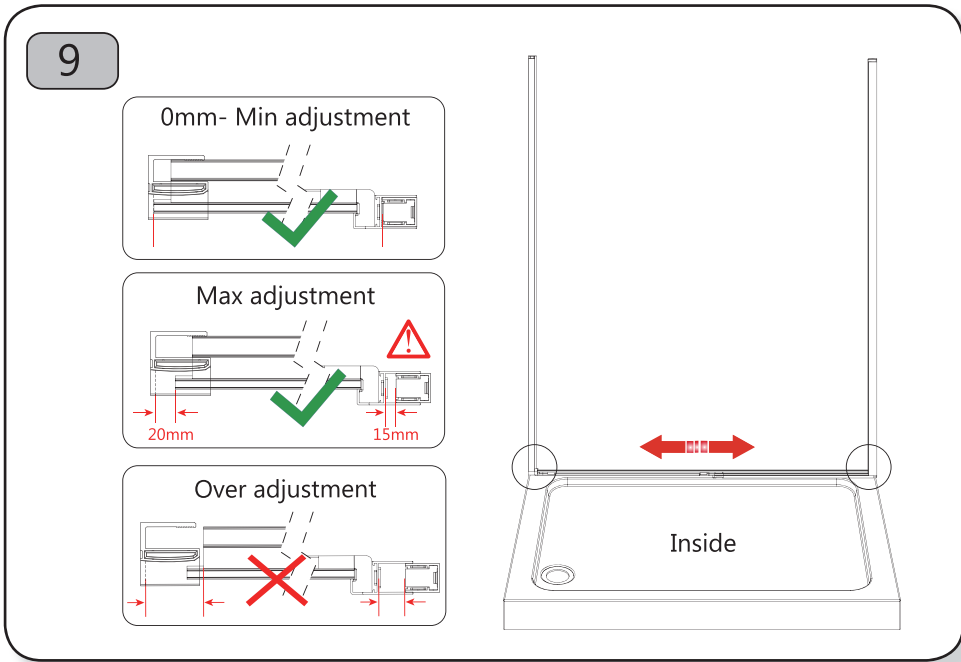


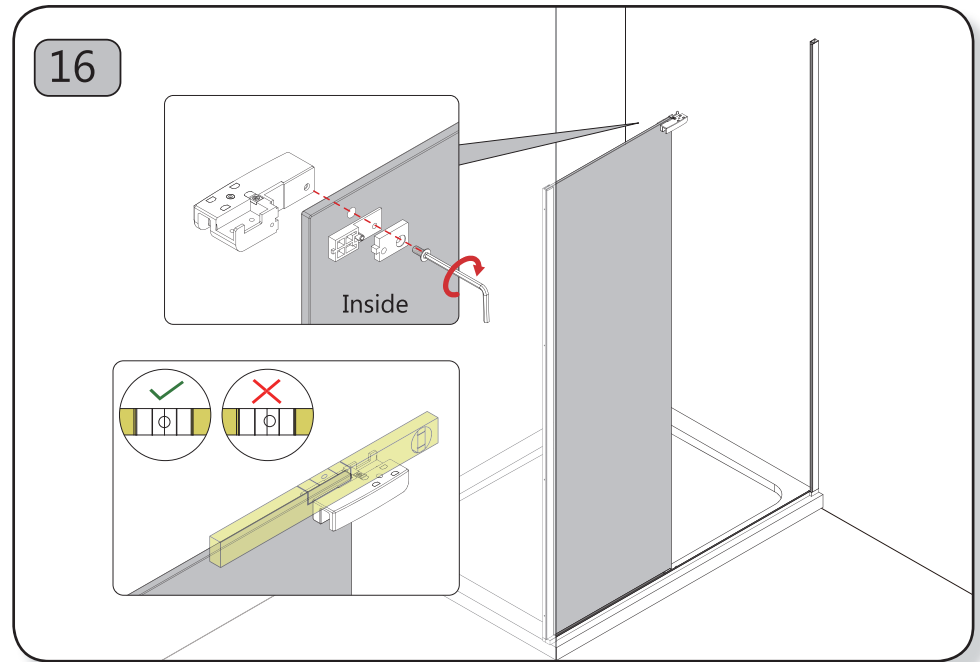
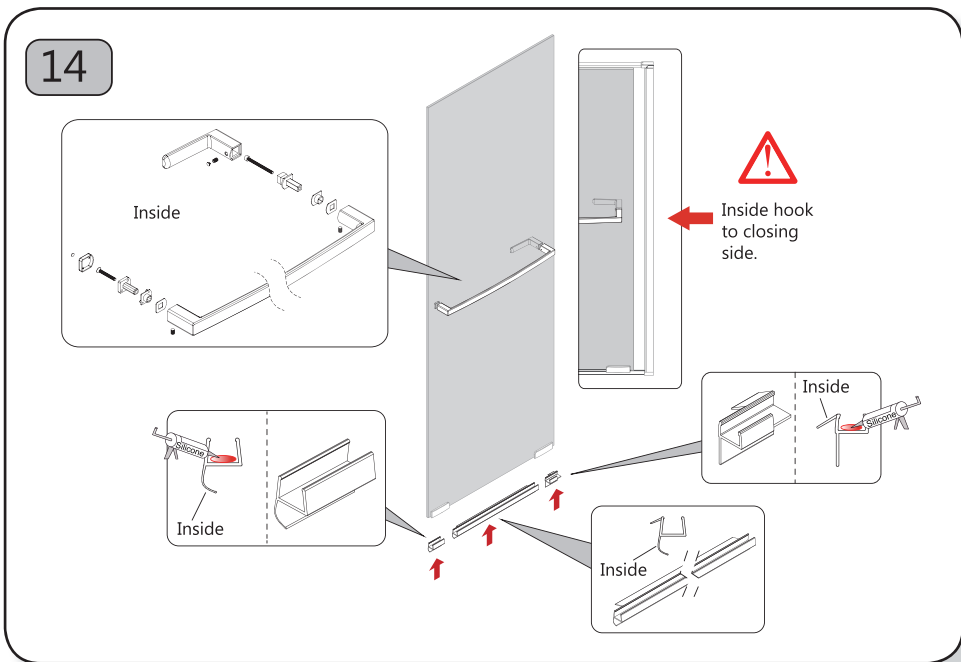
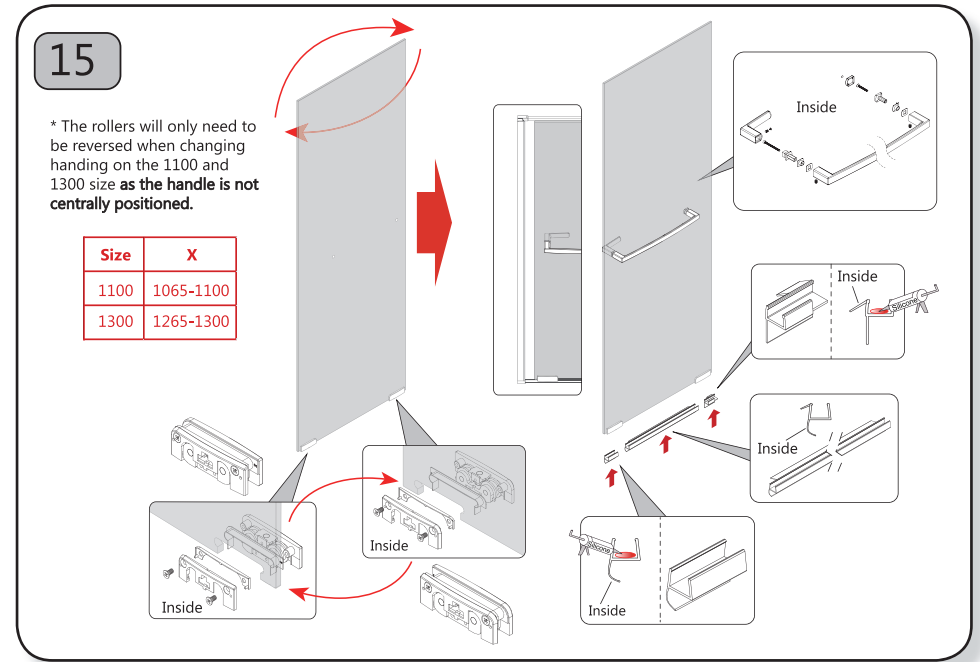
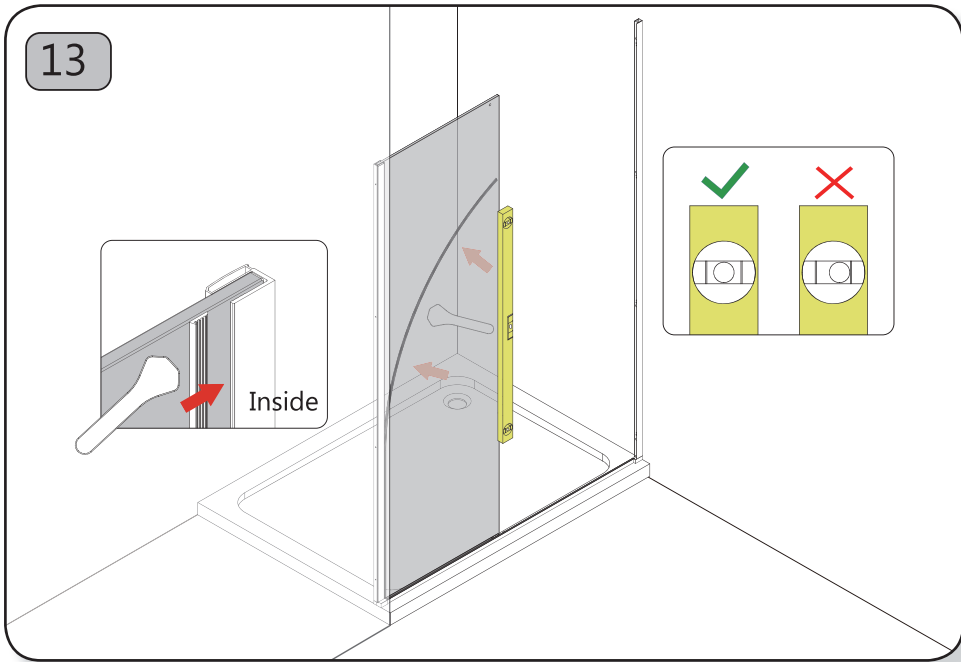
Tools required

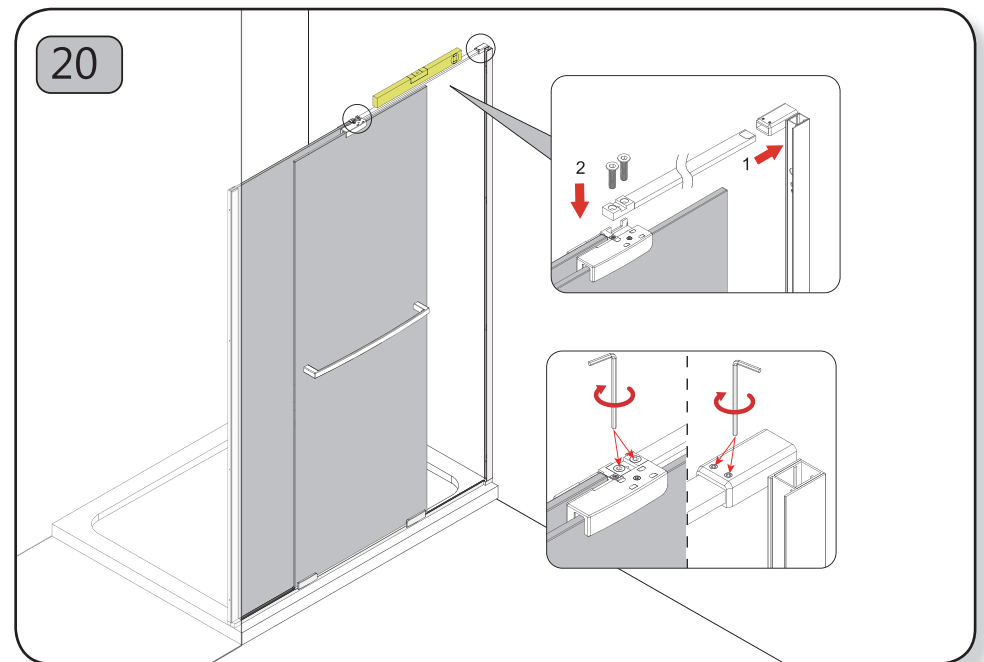
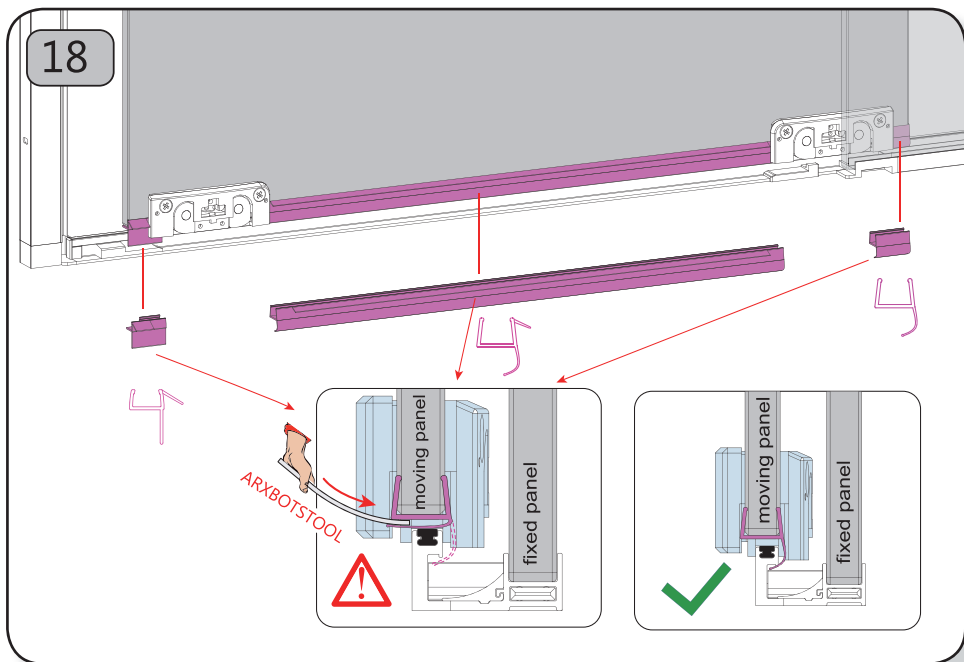
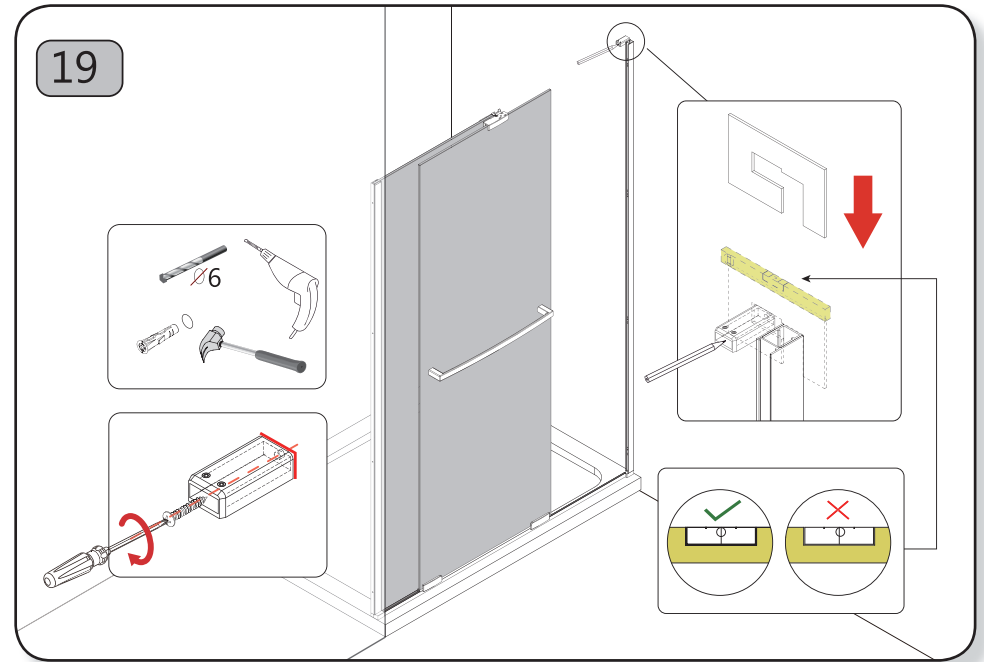
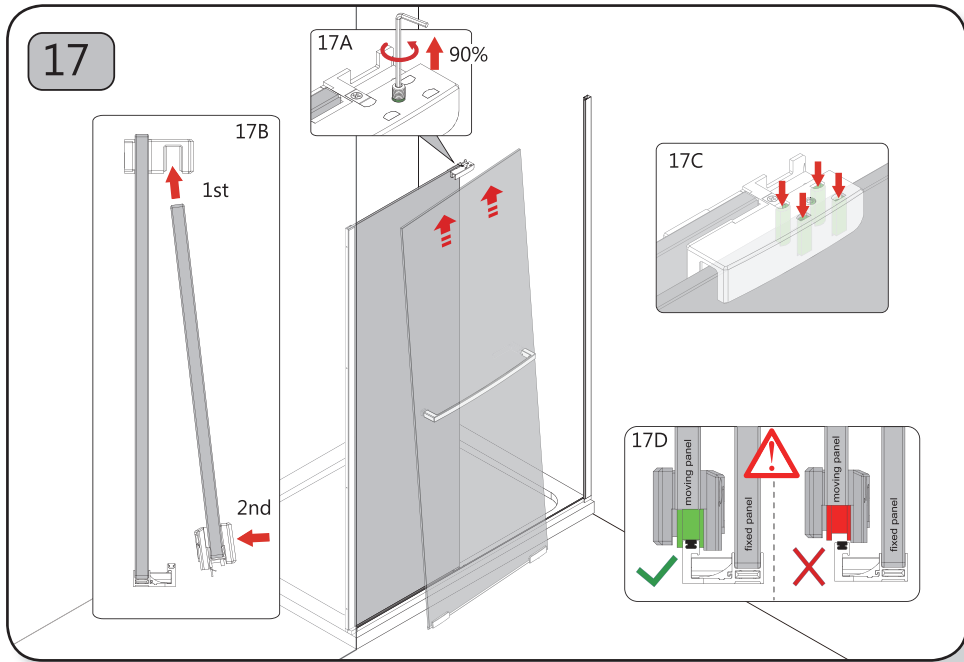


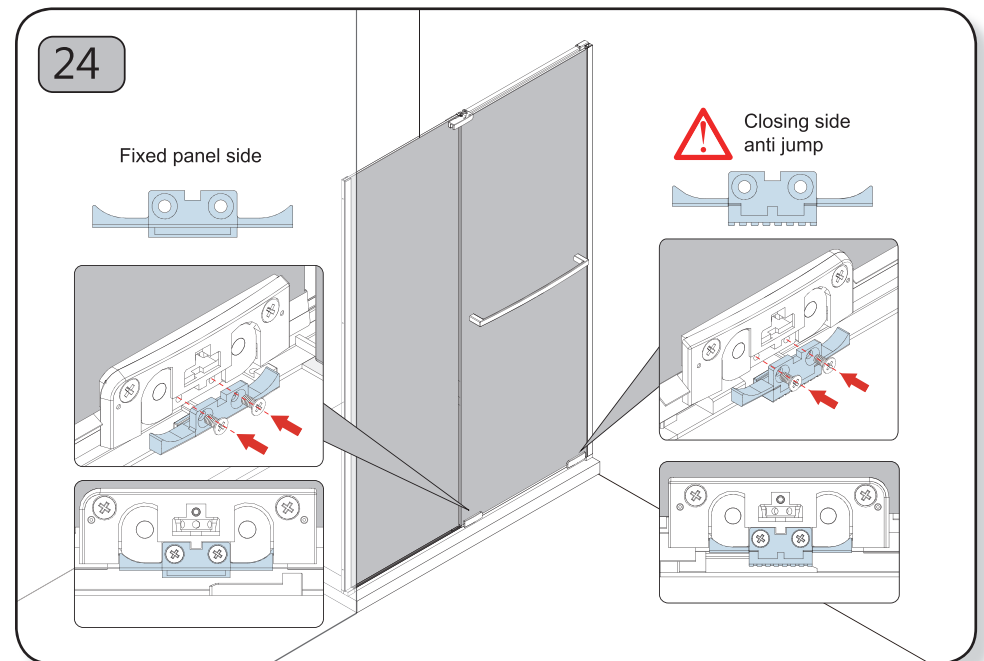
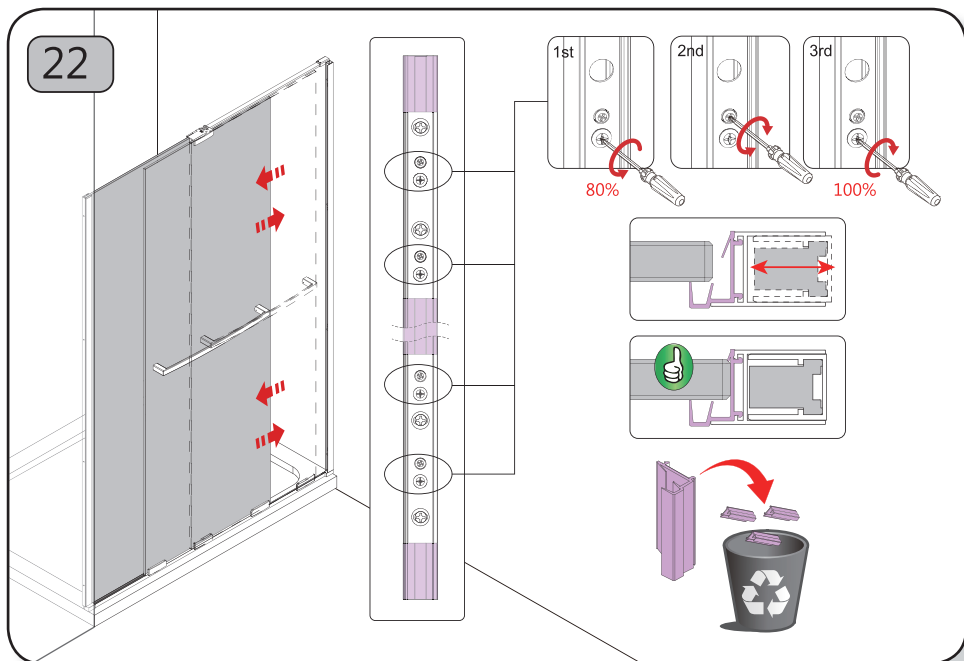
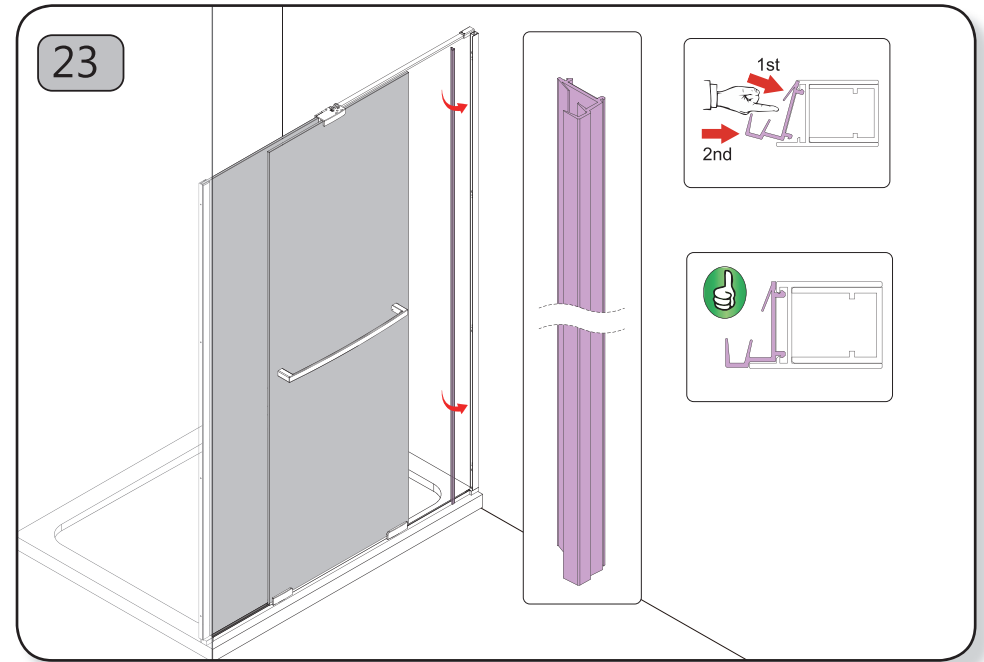
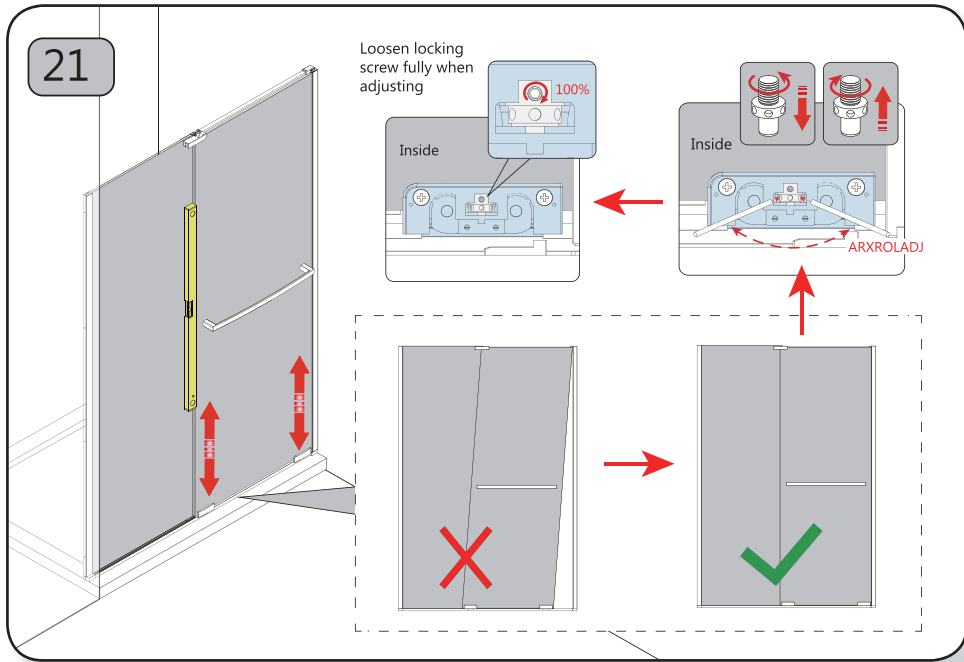


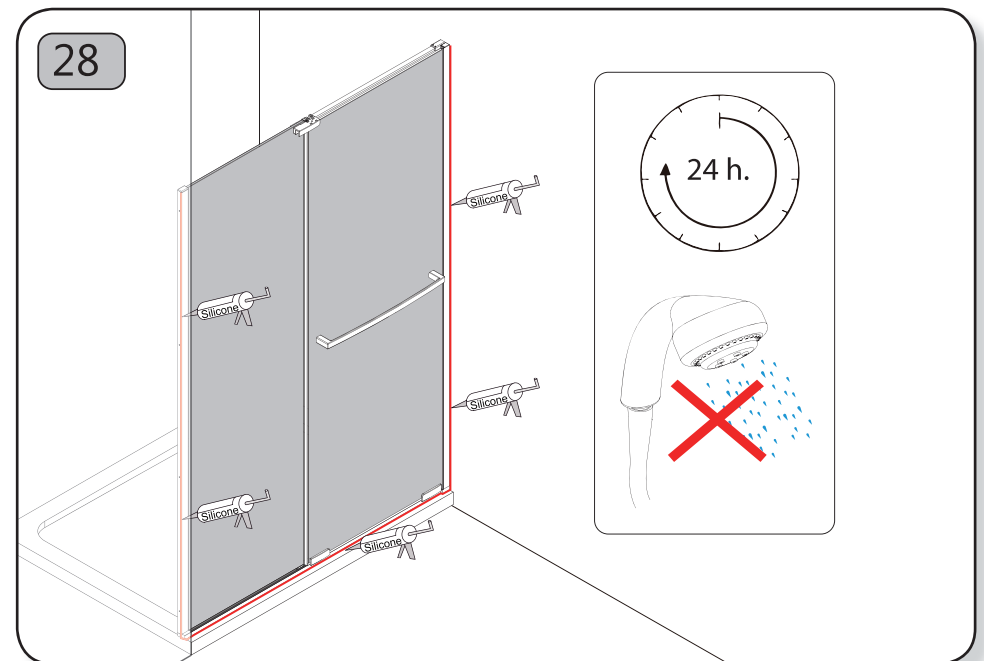
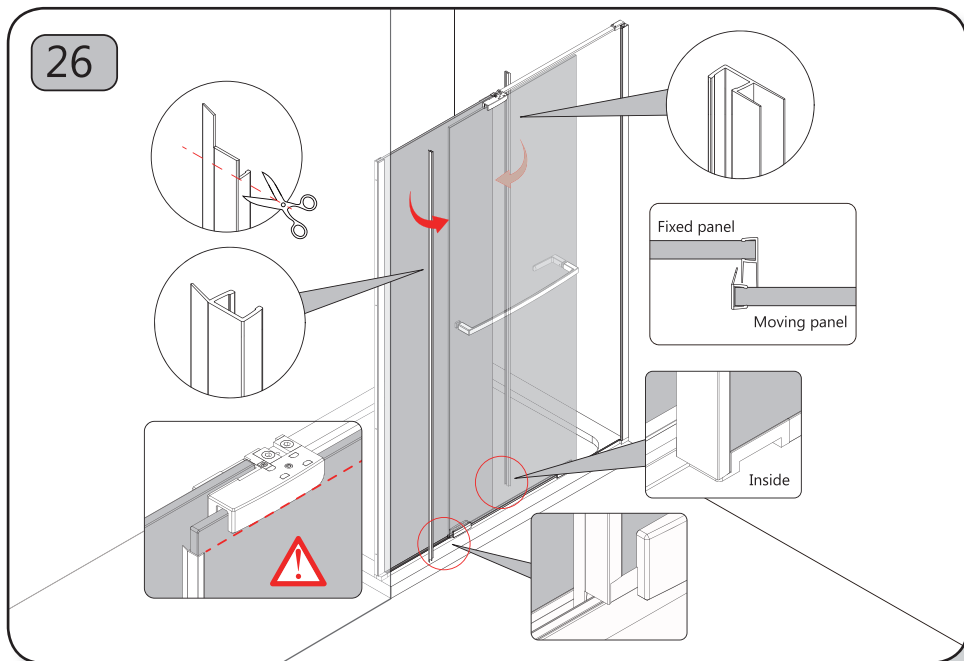
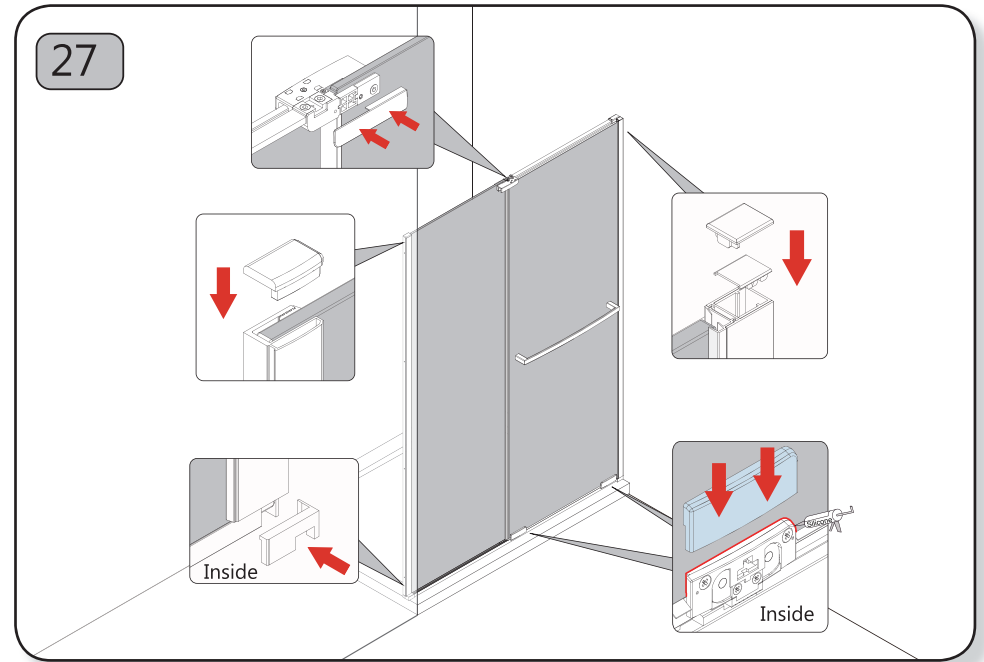
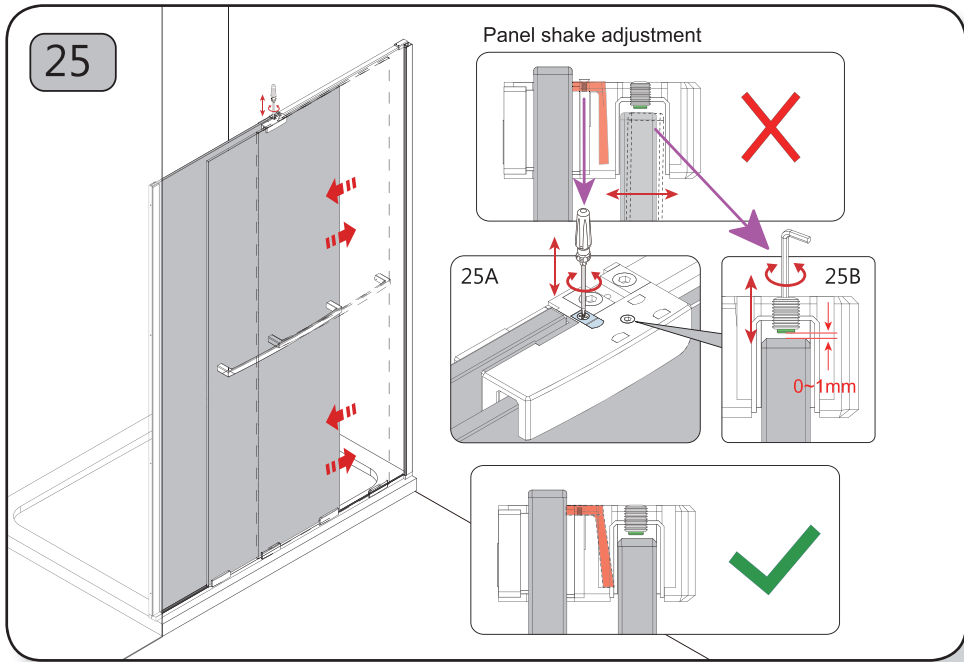













TROUBLE SHOOTING

Door Not functioning properly

1. Has the nylon grub screw in the top guide been over tightened? A 1mm gap between the grub screw and top of the moving panel should be left. (see step 25)
2. Has the adjustable guide in the top guide block been over tightened? The philips head screw should be loosened enough to allow the moving panel to pass through the guide easily but not so loose as to allow the panel to rattle back and forth.(see step 25)
3. Is the tray 100% level? (see step 1)
4. Ensure there is no large bows or dips on the installation surface greater than 3mm.
5. Are the wall profiles stepped in the noted min amount from the edge of the tray? (see step 2, 4)
6. Do the finished tile measurements fall within the adjustment (X & Y) listed on step 2?
7. Is the edge of the fixed panel plumb? Check with a level and adjust if necessary. (see steps 12 ,13)
8. Are the edges of the moving panel plumb? (see step 21)
9. Has the template been used correctly to mark the position of the top rail wall bracket, was the template level? If not, this can put the moving panel out of line with the bottom track causing possible binding. (see step 19)
10. Are the rollers seated correctly on the track and the screws in the roller anti jump stops fully tightened? (see step 17)
11. Are the 4 guides fully installed into the top guide block? (see step 17)
12. Has the seal been pushed fully clear of the bottom track? (see step 18)
13. Have the walls been checked at different levels to ensure consistency? Bumps or hollows in the wall may push the frame out of alignment.
14. Door not closing fully? Wipe clean soft close metal component in the bottom track. If the door is still not closing fully, please contact Merlyn customer services on the contact number provided.
15. Door does not open correctly? Has the inline support bar been fitted parallel to the moving panel glass? The gap between both should be equal down its full length.(see step 20)
16. Door cannot open? Are the anti-jump stops installed correctly? Note that 2 different anti jump stops have been provided. Please ensure they are in the right orientation.(see step 24)

Door Leaking

1. If you have used the small fin fixed panel seal and are getting some small leakages, please use the larger fin seal. (see step 26)
2. Is water passing through your eyelet handle? It is the responsibility of your designer / installer to position the shower head so that this does not occur.
3. Is there water coming out over your bottom track? When cleaning the handheld shower should not be directed at the junction between the fixed and moving panel.
4. Is the bottom track and fixed panel within the Min. – Max. limit of adjustment? Slider with side panel Max. 20mm? Recess closing post Max. 15mm?
5. Is the wedge gasket pushed in fully between the fixed panel glass and the wall profile? (see step 13)
6. Are the upright seals fitted correctly? (see steps 23, 26)
7. Door not closing fully? Wipe clean the soft close metal components in the bottom track. If the door is still not closing fully, please contact Merlyn customer services on the contact number provided.
8. Is the door sealed correctly? Ensure a sufficient bead of silicone is applied around the wall profiles, bottom track and around the inside of the bottom rollers. Then remove excess silicone. (see steps 27, 28)
9. Is the overlap between the moving panel and the fixed panel consistent from top to bottom? (see step 12)
10. Has the moving panel been installed plumb?(see step 21)
11. Is the gap between the bottom roller and the small corner seal siliconed correctly? Ensure a small bead of silicone is applied around the inside of the bottom roller.(see step 27)
12. Was the closing side bottom bracket siliconed before it was fit into the bottom track? (see step 3)

	
Merlyn Industries LTD (MER 11)	
DOP:CEARX1.0	
20	
EN 14428	
Shower enclosures with aluminium profiles and safety glass	
Cleanability	:Pass
Impact resistance/ shatter properties	:Pass
Durability	:Pass

To download the Declaration of Performance (DOP) for this product please use the link below.

<https://merlynshowering.com/aftersales-support/dop-certs/>

For further information please contact: IRL:0567791555 UK:08081011429