

## R314

## Sensor tap

The R314 electronic deck-mounted sensor mixer tap has a 176mm long spout and is ideally designed for deep basins. Suitable for all types of sanitary facilities thanks to its multiple choice of finishes and its minimalist look.



References	Power supply	Finishes
R314-S_SEC	Mains	Brushed stainless steel
R314-B_SEC	Mains	Chrome finish
R314-N_SEC	Mains	Matte black finish
R314-S_BAT	Battery	Brushed stainless steel
R314-B_BAT	Battery	Chrome finish
R314-N_BAT	Battery	Matte black finish

### Characteristics

Finishes	Brushed stainless steel (S) / Chrome finish (B) / Matte black finish (N)
Dimensions	Ø38 x H196mm x L214mm
Min/Max water inlet pressure	0.5–8 bars
Flow rate	3L/min (possibility of 1.3L/min, 1.89L/min or 6L/min)
Aerator	PCA spray (1.3L/min, 1.89L/min, 3L/min) - spray flow SSR PCA Stream (6L/min) - cascade flow
Sensor range	Pre-set at 220mm (adjustable with remote control)
Min. sensor range	80mm
Maxi sensor range	300mm
Security time	90 seconds (Can be reduced with remote control)
Water inlet	1 water inlet for cold or pre-mixed water
Maximum temperature	70°C
Hygiene flush	24 hours after the last use (anti-bacterial)
Power supply	IP67 dual power input box Adaptor 9V (_SEC) - cable length 5M 1 x 9V battery (_BAT) - battery supplied
Length of cable from rear of tap	0.35M (connecting the tap to the IP67 dual power input box)
Stainless steel hose length	0.45M (connecting the tap to the IP67 dual power input box)
Warranty	10 years

## Optional accessories

---

RSP06001001	Power splitter with 2 outputs
RSP06001002	Power splitter with 3 outputs
RSP06009016	Electrical cable male-female extension 1 meter
RSP06009021	Electrical cable male-female extension 3 meters
RSP07100005	Remote control for electronic taps
RSP06530013	Junction box 230/12V for connecting up to 10 taps
RSP06000084	Output cable for junction box female connector

## Installation info

---

### Cut-out

The R314 is designed to be installed on a basin with a maximum width of 30mm. Drill a 30mm diameter hole and another 4mm hole on the right side for the anti-rotation pin (contact us for the cut-out plan: [contact@duten.fr](mailto:contact@duten.fr)). It is always advisable to use thread lock when tightening the nut.

### Water inlet

Flush the water supply lines thoroughly before installing the faucet. Do not allow dirt, teflon tape or metal particles to enter the faucet. Shut off water supply.

### Planning of sanitary facilities

To avoid reflection problems, do not install the sensor directly opposite other faucet/soap dispenser sensors, other infrared devices or a reflective surface such as a stainless steel surface. The choice of other accessories must also be taken into consideration, such as the finish of the waste drain which may reflect light and interfere with the sensor. Particular care must also be taken in positioning the light in the room, especially with tap sensors that are directed downwards. A distance of at least 300mm should be maintained between the sensor and the bottom of the washbasin.

## Maintenance

---

Never use products containing hydrochloric acid, formic acid, acetic acid or bleach containing chlorine. Never use abrasive products or tools (scouring liquid, scouring sponge, dish sponge, stainless steel ball, etc.). Use of any prohibited cleaning or maintenance products or substances could damage the surface of the tap. Only use soap and water when cleaning the surface of the taps and then wipe dry with a clean cloth or towel. When cleaning other areas of the washroom, the faucets should be protected from any splattering of the products that are used.

## Certifications

---

ACS  
CE  
WRAS  
UPC  
WaterMark

## Related products

---

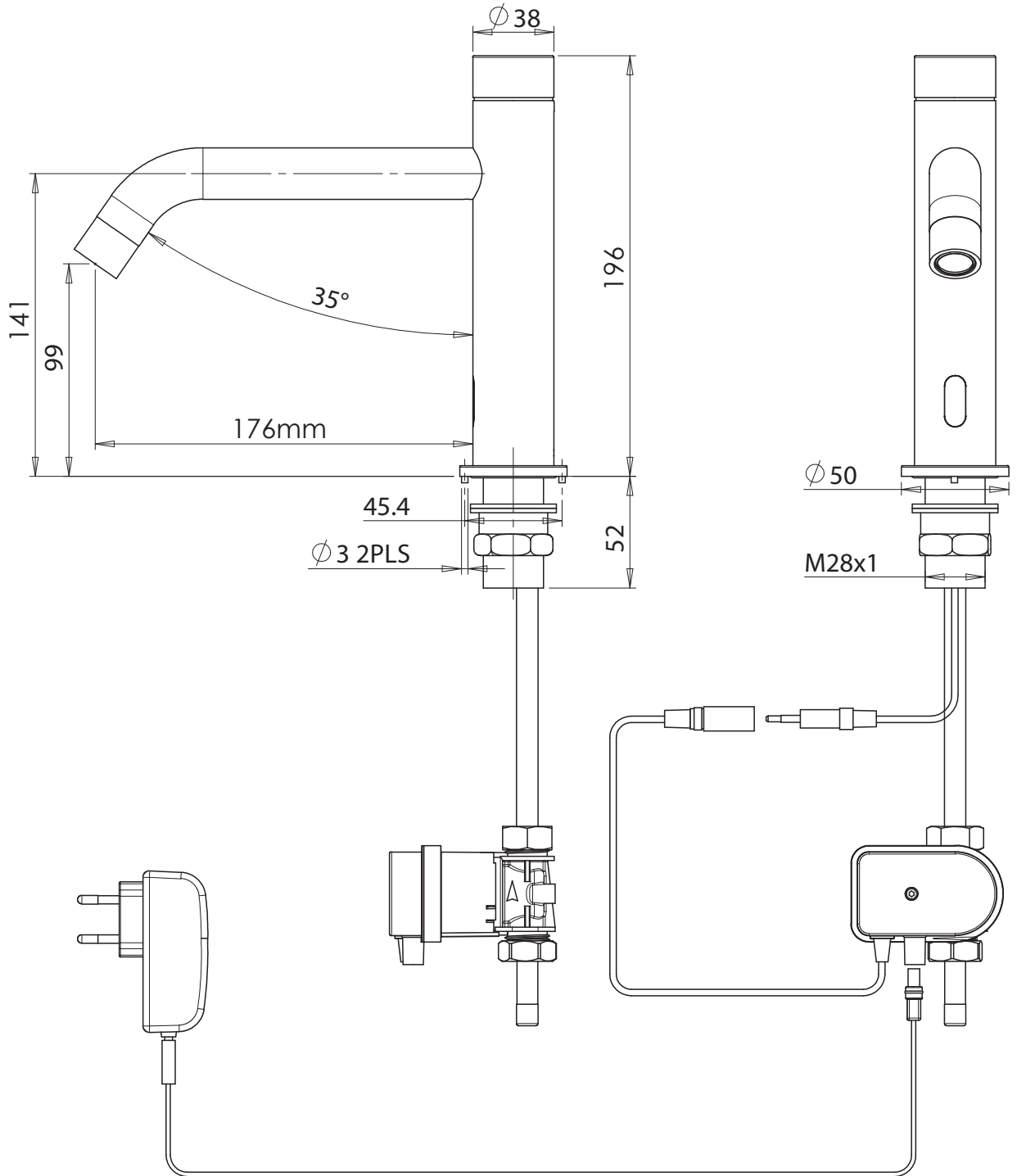
Soap dispenser	S255
----------------	------

## Related documents

---

Installation manuel	<a href="mailto:contact@duten.fr">contact@duten.fr</a>
Certifications	<a href="mailto:contact@duten.fr">contact@duten.fr</a>

Technical diagram - mains version



Technical diagram - battery version

