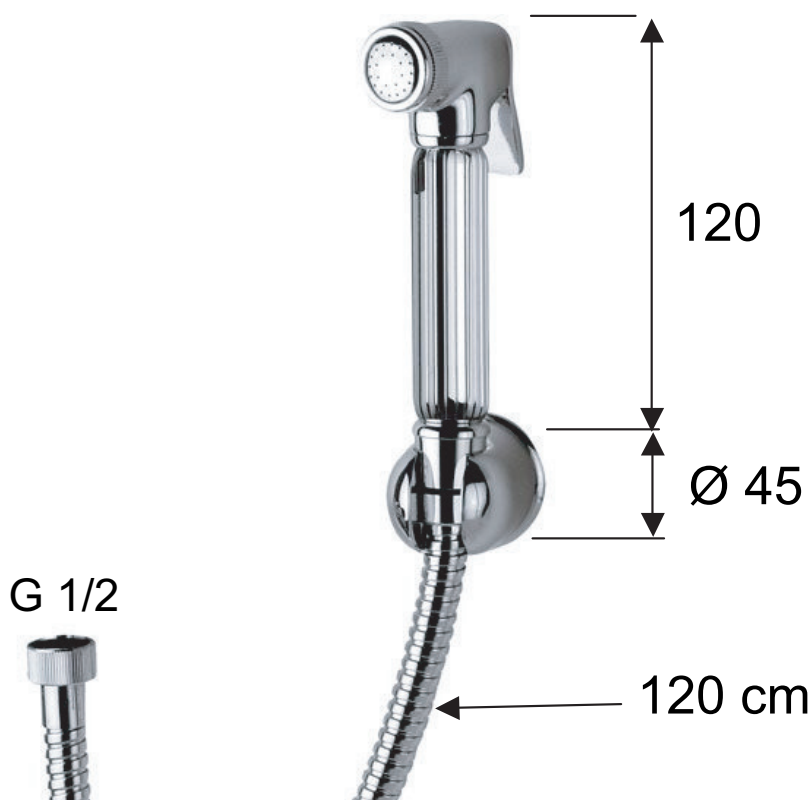




SCHEDA TECNICA TECHNICAL FEATURES

ART. COD. **1000ZSR**



PRESSIONE / PRESSURE	0,5 bar	1 bar	2 bar	3 bar	4 bar	5 bar
PORTATA / FLOW RATE	7 l/min	10,5 l/min	13 l/min	15 l/min	16,5 l/min	18.5 l/min

MATERIALI / MATERIALS

OTTONE CROMATO / CHROME PLATED BRASS

CROMATURA / CHROME PLATING

UNI EN 248