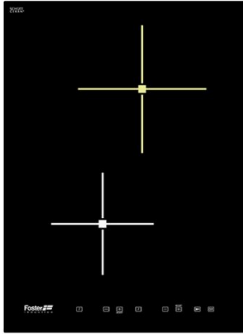


Cooker hob S4000 Domino Induction 7322 240

Cooker hobs

Code: 7322 240



DETAILS

Coloring	Black
Material	Ceramic glass
Edge/Installation Type	Vertical edge - for flush-mount or over-mount installation
Dimensions	380x520 mm
Base size	38cm
Heating element	Two zones
Built-in hole	View technical data sheet (for all Flush-mount / Top-mount models and Under-mount models)
Total power	3.700 W
Up	Ø 200 mm-2.300 (3.000)* W

Down	Ø 160 mm-1.200 (1.400)* W
Power settings	9 power settings per zone + Powerboost
Safety	Safety equipment
Type	Induction Hob
Type of commands	Touch Control
Notes:	* Powerboost

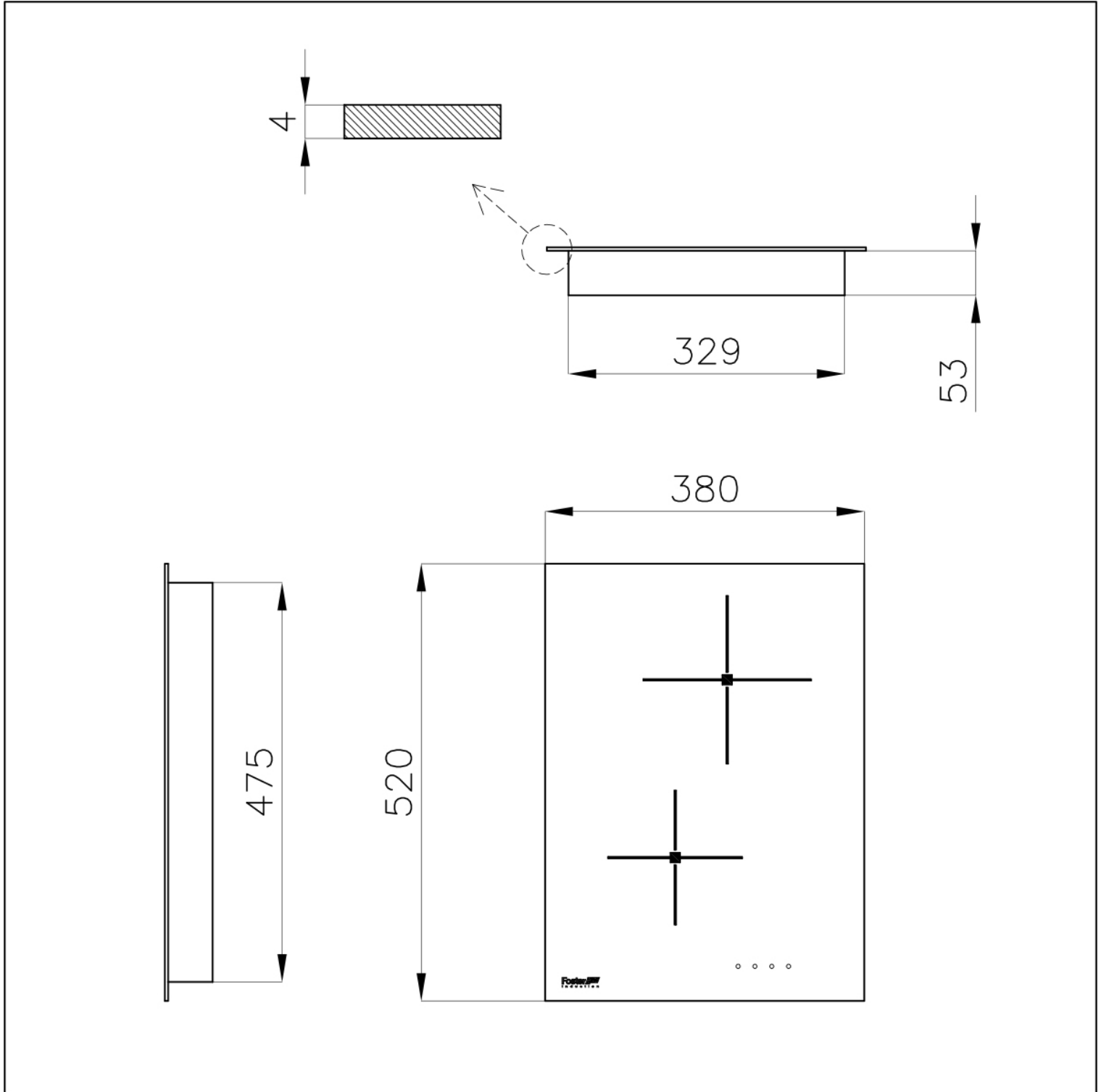
FEATURES

Powerboost	Booster function provides increased power to the selected plate. In particular, when the Booster is activated, the plate works for ten minutes at a very high power that allows to heat quickly large quantities of water.
Pot detector	All induction cooker hobs detect the pot resting on them, but they also calculate the area they cover. This system allows the energy to be used even more efficiently. Moreover, the plates switch off automatically when the pot is removed.
End-of-cooking programming	All operations are programmed by means of the touch-control on the glass itself. Each cooking plate is capable of independent programming, and thus the possibility to set different cooking times.
Timer	Independent timer from the end-of-cooking function.
Smart fan system	Correct ventilation is essential for the induction hob to function in the best possible way. The Foster system automatically regulates the amount of ventilation to suit the temperatures reached.

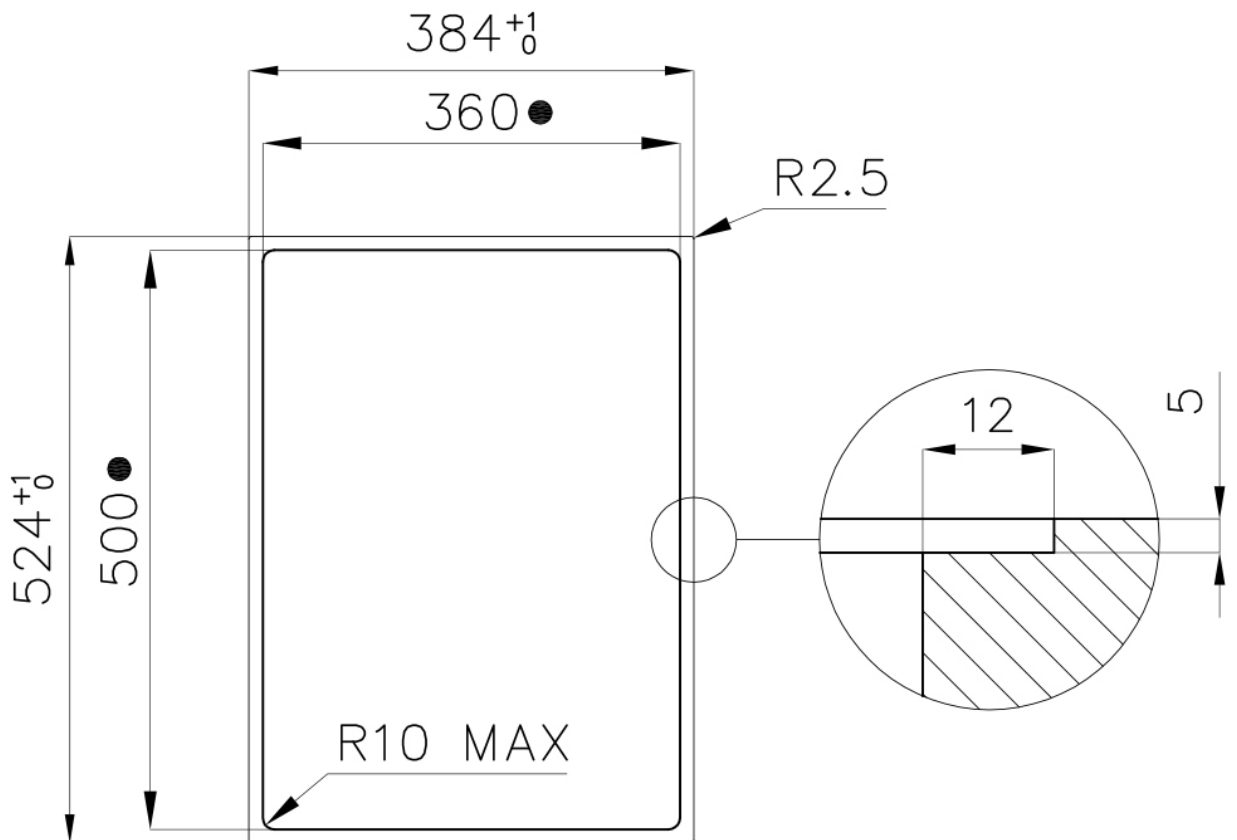
Safety

All electric cooker hobs feature the most modern and sophisticated safety protections: Centralised power-off function; Child-proof safety lock; Residual heat warning lights. Induction models feature the following functions: Safety System that turn off the hob in the absence of the pot; Overflow detector that automatically turns off the plate in case of liquid overflow; Automatic deactivation to prevent accidents caused by forgetfulness.

TECHNICAL DATA



Cut out size
Dimensioni per foratura top



- Built-in cut out for FTS – Foratura per installazione FTS

OPTIONAL ACCESSORIES



Induction Pro - Cookware set -
8pcs 8210 008



Spacer for Domino elements
8320 000

RECOMMENDED PAIRINGS



Hood S4000 Domino Ghost 2451
000



Sink KE Filotop 2265 050